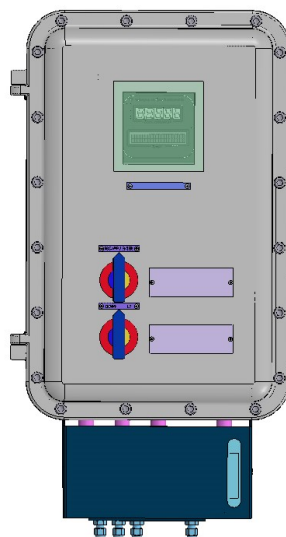


# OPERATING INSTRUCTIONS FOR

# MODEL 3020T

## ATEX/IECEX

### Trace Oxygen Analyzer



P/N M94969  
3/22/19



## DANGER



Toxic and or flammable gases may be present in this monitoring system.  
Personal protective equipment may be required when servicing this instrument.  
Hazardous voltages exist on certain components internally which may persist for a time even after the power is turned off and disconnected.  
Only authorized personnel should conduct maintenance and/or servicing.  
Before conducting any maintenance or servicing, consult with authorized



# EU DECLARATION OF CONFORMITY

This declaration of conformity is issued under the sole responsibility of the manufacturer

---

APPLICATION OF COUNCIL DIRECTIVE : 2014/34/EU

STANDARDS TO WHICH : EN 60079-0 : 2012+A11:2013  
(IEC 60079-0 : 2011)

CONFORMITY IS DECLARED EN 60079-1 : 2014  
(IEC 60079-1 : 2014-06)

MANUFACTURER'S NAME : TELEDYNE ANALYTICAL INSTRUMENTS

MANUFACTURER'S ADDRESS : 16830 Chestnut Street  
City of Industry, CA 91748  
U.S.A.

TYPE OF EQUIPMENT : \* See page two

EQUIPMENT CLASS : Ex II 2 G Ex db IIB+H2 T6..T5 Gb  
0°C≤Ta≤50°C


MODEL NUMBER : 2020, 3020M, 3020P, 3020T, 3020UV, 7320

---

I, THE UNDERSIGNED, HEREBY DECLARE THAT THE EQUIPMENT SPECIFIED ABOVE CONFORMS TO THE ABOVE STANDARD(S) PER 2014/34/EU and have been type-approved by Intertek Testing & Certification Limited, Intertek House, Cleeve Road, Leatherhead, Surrey, KT22 7SB. Intertek notified body identification number: 0359. Mark: Ex II 2 G. Code: Ex db IIB+H2 T6..T5 Gb.

EU Type Certificate Number: ITS19ATEX10485X

IECEX Certificate Number: IECEX ITS 19.0013X

SIGNATURE: 

FULL NAME: Roger Starlin

POSITION: QA Manager

Date: 07-09-2019

PLACE: City of Industry, California

SIGNATURE: 

FULL NAME: Angel Alegria

POSITION: New Products Manager

Date: 7-09-19

PLACE: City of Industry, California





# EU DECLARATION OF CONFORMITY

---

**\*Type of Equipment or Protective System**

**Models covered by this Declaration of Conformity are:**

<u>Model</u>	<u>Type of Equipment</u>
• 2020	Thermal Conductivity Analyzers
• 3020M	Oxygen Analyzers
• 3020P	Oxygen Analyzers
• 3020T	Oxygen Analyzers
• 3020UV	Oxygen Analyzers
• 7320	IR Absorption Analyzers

**Note: When used with Killark Flame Arrestor (KB1FA25SS6) SIRA 10ATEX1351U, T-code rating will be T5. All other models are rated for T6.**



## Special Conditions for Safe Use

- All cable glands, blanking elements and thread adapters used with the equipment shall be certified Ex db parts. These parts shall have a suitable temperature range for the final installation and maintain a degree of protection of IP66 in accordance with IEC 60529.
- Equipment with windows and pilot light type EFL\*PC\* shall be installed in locations where the risk of impact is considered negligible.
- Flameproof joints are not intended to be repaired.






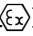
**ATEX Certified Product  
No modification permitted  
without reference to  
Intertek**

REVISIONS				
REV	DESCRIPTION	DATE	APP.	REV. BY
0	INITIAL RELEASE	3-22-19	KFP	--
1	UPDATE PRESSURE	4/29/19	KFP	KFP
2	UPDATE MARKINGS	5/13/19	KFP	KFP


3020T ID TAG


**Teledyne Analytical Instruments**  
 CA 91748-1580 U.S.A.

---


**PROCESS ANALYZER SYSTEM MODEL 3020T**  
 Serial No.: \_\_\_\_\_  
 Year of construction: 20\_\_\_\_\_  
 IECEX: \_\_\_\_\_ Ex db IIB+H2 T6..T5 Gb  
 ATEX: \_\_\_\_\_  II 2 G Ex db IIB+H2 T6..T5 Gb  
 Operating Temperature: -0°C ≤ Tamb ≤ +50°C

**WARNING DO NOT OPEN WHEN ENERGIZED!**

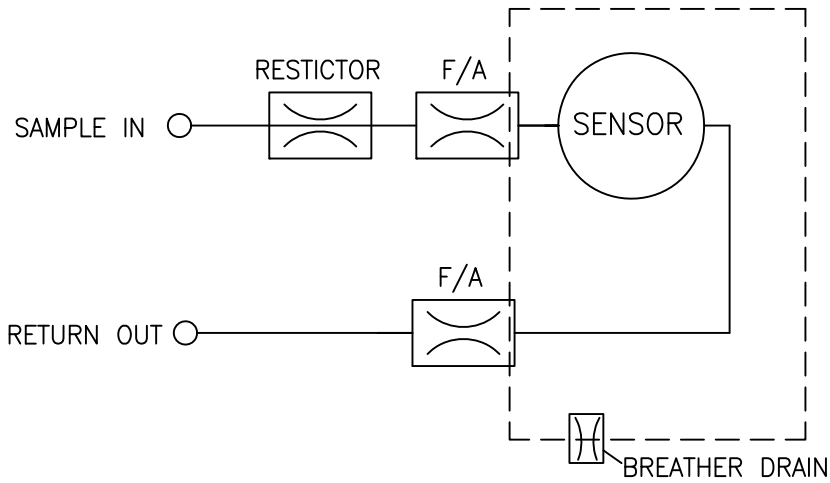


**ITS19ATEX104845X**  
**1180 IECEX ITS 19.0013X**

**Use and Disclosure of Data**  
 "Information contained herein is classified as EAR99 under the  
 U.S. Export Administration Regulation.  
 Export, reexport or diversion contrary to U.S. law is prohibited."

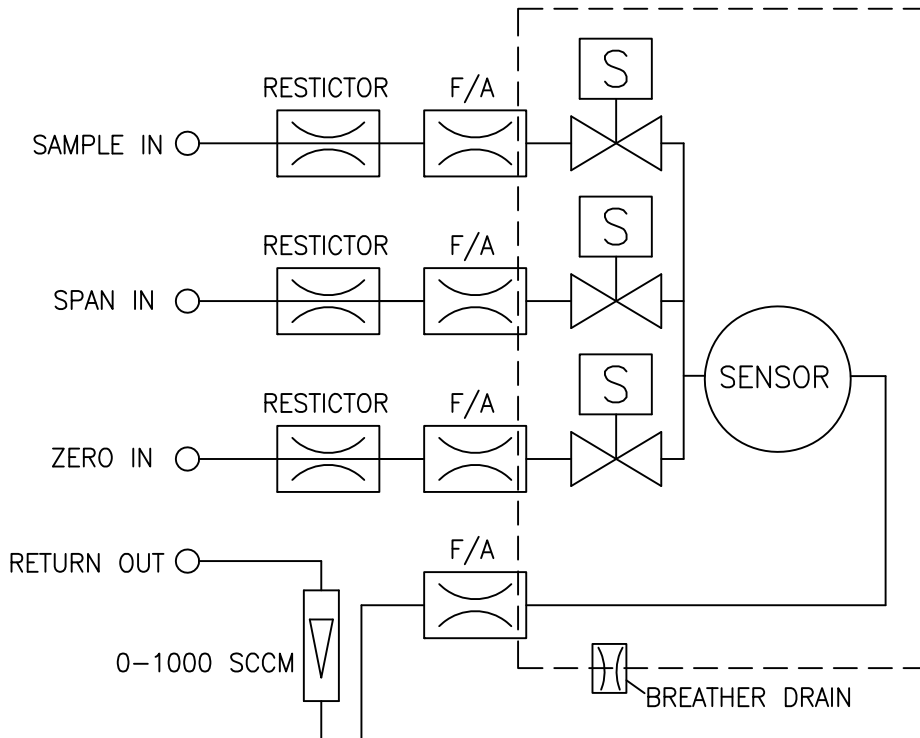
DO NOT SCALE DRAWING		<small>THIS DRAWING IS THE PROPERTY OF TELEDYNE ANALYTICAL INSTRUMENTS AND CONTAINS CONFIDENTIAL INFORMATION. IT IS NOT TO BE COPIED, REPRODUCED OR USED WITHOUT WRITTEN PERMISSION.</small>		
UNLESS OTHERWISE SPECIFIED DIMENSIONS ARE IN INCHES TOLERANCE: ANGULAR ±1/2°		 <b>TELEDYNE</b> <i>Analytical Instruments</i> A Business Unit of Teledyne Instruments, Inc. City of Industry, California 91748, USA		
LINEAR $\begin{cases} .X & = \pm \\ .XX & = \pm \\ .XXX & = \pm \end{cases}$		TITLE <div style="text-align: center; font-size: 1.2em;">         3020T          ATEX / IECEX          ADDENDUM       </div>		SCALE SIM A95032 SHEET 1 OF 5
S/	SIGNATURES	DATE	MATL. _____ DWG NO. <b>A-95144</b> REV <b>2</b>	
N/	DRFT: KFP			
P/	CHK:			
I/	APPR: KFP	3-22-19		
F/	ENGR: KFP			
O/	C.O.:			
REFERENCE	CAD I.D. A95144-2			

IIB+H2 GB IP66 ENCLOSURE



PIPING (CONTAINMENT SYSTEM) OPTIONAL AUTO-CAL VALVES AND GAS PANEL

IIB+H2 GB IP66 ENCLOSURE



Use and Disclosure of Data

"Information contained herein is classified as EAR99 under the U.S. Export Administration Regulation. Export, reexport or diversion contrary to U.S. law is prohibited."

**Description:** Oxygen measuring device for use in hazardous rated areas. It is suitable for measuring Oxygen concentrations up to 20.9% in a variety of hazardous and non-hazardous gasses. This device is suitable for use with gasses rated up to and including IIB+H2.

The analyzer is enclosed in a flameproof housing and is designed for use in an II 2G Ex db IIB+H2 T6 Gb environment. This device is configured for limited release. The externally installed breather/drain and gas restrictors are an integral part of the safety system and must not be altered. The maximum applied gas pressure is not to exceed 25 psig (172Kpa)

The analyzer ships with approved Ex d IIC rated plugs, flame arrestors or breathers in all of the entries on the enclosure. The end user will install the analyzer using Ex d IIC approved seals or glands. Using approved installation methods per the manufacturer's instructions. All user electrical connections are via 3/4" or 1"NPT female threaded ports (per ANSI/ASME B1.20.1). All NPT threads require a min of 5 full threads of engagement.

The M6 grounding (earthing) connection (bolt) is provided on the bottom of the enclosure. The enclosure must be connect to earth with grounding wire of 10 awg (0.10" 2.6 mm) OD or larger.

**Environmental conditions:** IP 66 environment

0-50C ambient

Power 115 or 230 Vac. 50 & 60Hz (292W max.)

Maximum Sample flow=1100 SCCM max

Maximum Sensor inlet pressure = 0.86psig (6Kpa)

**Use and Disclosure of Data**

"Information contained herein is classified as EAR99 under the U.S. Export Administration Regulation. Export, reexport or diversion contrary to U.S. law is prohibited."

SHEET  
3 OF 5

DWG NO.  
**A-95144**

REV  
2

**Standards:**

IEC 60079-0:2017 Equipment general requirements

IEC 60079-1:2014 Equipment protection by flameproof enclosures "d"

**Conditions for Safe use****Symbol X:**

**"Warning- This instrument is not designed for use with oxygen enriched gasses, ie. Gasses with oxygen content greater than 21%.**

**"Warning- Do to the presence of a window, this analyzer shall be located in an area of low impact.**

**"Warning- Do not open when energized"**

**"Warning- Do not open when an explosive gas atmosphere is present"**

**"Caution-Do not substitute the hardware used to secure the cover."**

**"Warning-All blanking plugs, glands, seals, and cover retaining hardware must properly installed and secured prior to energizing.**

**"Warning- The enclosure sealing flanges are Flame Proof joints, and must not be damaged or altered. They are not user or field repairable.**

**Use and Disclosure of Data**

**"Information contained herein is classified as EAR99 under the U.S. Export Administration Regulation. Export, reexport or diversion contrary to U.S. law is prohibited."**

SHEET

4 OF 5

DWG NO.

**A-** 95144

REV

2

REVISIONS

SEE SHEET 1

WIRING REQUIREMENTS:

TAI RECOMMENDS 18-10 AWG WIRE (1-2.6mm) FOR POWER CONNECTIONS AND 10 AWG (2.6MM) MIN FOR EARTHING CONNECTIONS.

A 6 MM BOLT IS PROVIDED ON THE BOTTOM OF THE ENCLOSURE FOR EARTHING CONNECTION.,

ITEM	QTY	P/N	DESCRIPTION	REF	MFG.	ATEX CERT	IECEX CERT	MFG. P/N
1	1	D94822	FLAMEPROOF ENCLOSURE DRILLING DETAIL EJB-51		FEAM	INERIS 13ATEX0022X	IECEX INE 13.0070x	EJB-51
2	2	-----	ROTARY HANDLES		FEAM	INERIS 13ATEX9017U	IECEX INE 13.0073U	EFI-RL
3	2	-----	OPERATORS/ SWITCH		FEAM	INERIS 13ATEX9017U	IECEX INE 13.0073U	Z1080#01437
4	1	-----	WINDOW, 100 X 100MM		FEAM	INERIS 13ATEX9017U	IECEX INE 13.0073U	Z208#10155
5	4	P2196	1" BLANKING PLUG		H.L.S.	Sira 07ATEX1175X	IECEX SIR 07.0048X	D5.1.N
	4		1" BLANKING PLUG		FEAM	INERIS 16ATEX007X	IECEX INE 16.0014x	PLG3NPT
	4		1" BLANKING PLUG		FEAM	INERIS 16ATEX007X	IECEX INE 16.0014x	PLG3NIX
	4		1" BLANKING PLUG		FEAM	INERIS 16ATEX007X	IECEX INE 16.0014x	PLG3NON
6	3-5	P2194	1/2" BLANKING PLUG		H.L.S.	Sira 07ATEX1175X	IECEX SIR 07.0048X	D5.1/2.N
	3-5		1/2" BLANKING PLUG		FEAM	INERIS 16ATEX007X	IECEX INE 16.0014x	PLG1NPT
	3-5		1/2" BLANKING PLUG		FEAM	INERIS 16ATEX007X	IECEX INE 16.0014x	PLG1NIX
	3-5		1/2" BLANKING PLUG		FEAM	INERIS 16ATEX007X	IECEX INE 16.0014x	PLG1NON
7	5	P2195	3/4" BLANKING PLUG		H.L.S.	Sira 07ATEX1175X	IECEX SIR 07.0048X	PA-D-1-1-30-00
	5		3/4" BLANKING PLUG		FEAM	INERIS 16ATEX007X	IECEX INE 16.0014x	PLG2NPT
	5		3/4" BLANKING PLUG		FEAM	INERIS 16ATEX007X	IECEX INE 16.0014x	PLG2NIX
	5		3/4" BLANKING PLUG		FEAM	INERIS 16ATEX007X	IECEX INE 16.0014x	PLG2NON
8	2-4	F2835	FLAME ARRESTOR IIC		M.A.M	INERIS 12ATEX9013U	IECEX INE 12.0002U	FT-61090-8 A
	2-4		FLAME ARRESTOR IIC		Killark (Hubbell)	Sira 10ATEX1351U	IECEX CSA 10.0007U	KB1FA25SS6
9	1	BP130	SS BREATHER/DRAIN		H.L.S.	SIRA 07ATEX1174U	IECEX SIR 07.0045U	Bd.1/2.S
10	1-3	R3681	STD RESRTICTOR SS		O'KEEFE CONTROLS CO.	-----	-----	GS-4-SS
10	1-3	R3677	OPTIONAL RESRTICTOR SS		O'KEEFE CONTROLS CO.	-----	-----	GS-8-SS

**Use and Disclosure of Data**  
**"Information contained herein is classified as EAR99 under the U.S. Export Administration Regulation. Export, reexport or diversion contrary to U.S. law is prohibited."**





supervisor/manager.

## Trace Oxygen Analyzer

---

### Copyright © 2018 Teledyne Analytical Instruments

All Rights Reserved. No part of this manual may be reproduced, transmitted, transcribed, stored in a retrieval system, or translated into any other language or computer language in whole or in part, in any form or by any means, whether it be electronic, mechanical, magnetic, optical, manual, or otherwise, without the prior written consent of Teledyne Analytical Instruments, 16830 Chestnut Street, City of Industry, CA 91748.

#### Warranty

This equipment is sold subject to the mutual agreement that it is warranted by us free from defects of material and of construction, and that our liability shall be limited to replacing or repairing at our factory (without charge, except for transportation), or at customer plant at our option, any material or construction in which defects become apparent within one year from the date of shipment, except in cases where quotations or acknowledgements provide for a shorter period. Components manufactured by others bear the warranty of their manufacturer. This warranty does not cover defects caused by wear, accident, misuse, neglect or repairs other than those performed by Teledyne or an authorized service center. We assume no liability for direct or indirect damages of any kind and the purchaser by the acceptance of the equipment will assume all liability for any damage which may result from its use or misuse.

We reserve the right to employ any suitable material in the manufacture of our apparatus, and to make any alterations in the dimensions, shape or weight of any parts, in so far as such alterations do not adversely affect our warranty.

#### Important Notice

This instrument provides measurement readings to its user, and serves as a tool by which valuable data can be gathered. The information provided by the instrument may assist the user in eliminating potential hazards caused by his process; however, it is essential that all personnel involved in the use of the instrument or its interface, with the process being measured, be properly trained in the process itself, as well as all instrumentation related to it.

The safety of personnel is ultimately the responsibility of those who control process conditions. While this instrument may be able to provide early warning of imminent danger, it has no control over process conditions, and it can be misused. In particular, any alarm or control systems installed must be tested and understood, both as to how they operate and as to how they can be defeated. Any safeguards required such as locks, labels, or redundancy, must be provided by the user or specifically requested of Teledyne at the time the order is placed.

Therefore, the purchaser must be aware of the hazardous process conditions. The purchaser is responsible for the training of personnel, for providing hazard warning methods and instrumentation per the appropriate standards, and for ensuring that hazard warning devices and instrumentation are maintained and operated properly.

Teledyne Analytical Instruments, the manufacturer of this instrument, cannot accept responsibility for conditions beyond its knowledge and control. No statement expressed or implied by this document or any information disseminated by the manufacturer or its agents, is to be construed as a warranty of adequate safety control under the user's process conditions.

## Specific Model Information

---

The instrument for which this manual was supplied may incorporate one or more options not supplied in the standard instrument. Commonly available options are listed below, with check boxes. Any that are incorporated in the instrument for which this manual is supplied are indicated by a check mark in the box.

**Instrument Serial Number:** \_\_\_\_\_

### Options Included in the Instrument with the Above Serial Number:

- SS cell holder
- 1/4" tube connectors
- Kalrez O-rings (non Auto Cal)
- Auto Cal (EPR O-rings)
- SS Gas Panel with Flowmeter (Viton, or Kalrez O-rings)
- Cell \_\_\_\_\_ Class\*: L2C, B2C, A2C, A5, XL, Insta-Trace

\* See part II, Chapter 2 and/or any addendum that may be attached to this manual for cell specifications.

**Blank Page**



### Safety Messages

---

Your safety and the safety of others is very important. We have provided many important safety messages in this manual. Please read these messages carefully.

A safety message alerts you to potential hazards that could hurt you or others. Each safety message is associated with a safety alert symbol. These symbols are found in the manual and inside the instrument. The definition of these symbols is described below:

**GENERAL WARNING/CAUTION:** Refer to the instructions for details on the specific danger. These cautions warn of specific procedures which if not followed could cause bodily Injury and/or damage the instrument.



**CAUTION: HOT SURFACE WARNING:** This warning is specific to heated components within the instrument. Failure to heed the warning could result in serious burns to skin and underlying tissue.



**WARNING: ELECTRICAL SHOCK HAZARD:** Dangerous voltages appear within this instrument. This warning is specific to an electrical hazard existing at or nearby the component or procedure under discussion. Failure to heed this warning could result in injury and/or death from electrocution.



**Technician Symbol:** All operations marked with this symbol are to be performed by qualified maintenance personnel only.



**Note:** Additional information and comments regarding a specific component or procedure are highlighted in the form of a note.

No  
Symbol



**CAUTION: THE ANALYZER SHOULD ONLY BE USED FOR THE PURPOSE AND IN THE MANNER DESCRIBED IN THIS MANUAL.**

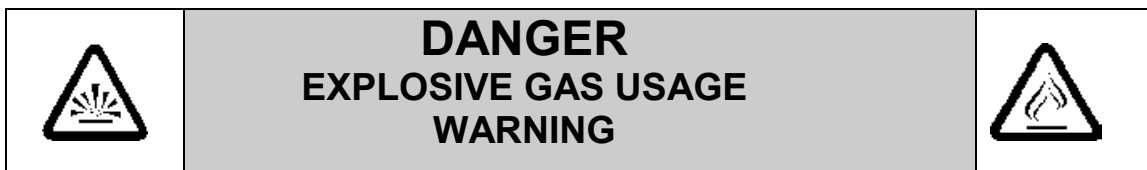


**IF YOU USE THE ANALYZER IN A MANNER OTHER THAN THAT FOR WHICH IT WAS INTENDED, UNPREDICTABLE BEHAVIOR COULD RESULT POSSIBLY ACCOMPANIED WITH HAZARDOUS CONSEQUENCES.**

This manual provides information designed to guide you through the installation, calibration and operation of your new analyzer. Please read this manual and keep it available.

Occasionally, some instruments are customized for a particular application or features and/or options added per customer requests. Please check the front of this manual for any additional information in the form of an Addendum which discusses specific information, procedures, cautions and warnings that may be peculiar to your instrument.

Manuals do get lost. Additional manuals can be obtained from Teledyne at the address given in the Appendix. Some of our manuals are available in electronic form via the internet. Please visit our website at: [www.teledyne-ai.com](http://www.teledyne-ai.com).



The analyzer is housed in an explosion proof housing and is designed for use in a II 2G Ex d IIB+H2 T5..T6 Gb environment. It is the customer's responsibility to ensure safety especially when flammable gases are being analyzed since the potential of leaks always exist.

**THIS ANALYZER MUST NOT TO BE USED TO MEASURE ANY GAS MIXTURE THAT CONTAINS OXYGEN IN EXCESS OF 20.9%.**

The customer should ensure that the principles of operating of this equipment are well understood by the user. Misuse of this product in any manner, tampering with its components, or unauthorized substitution of any component may adversely affect the safety of this instrument.

Since the use of this instrument is beyond the control of Teledyne, no responsibility by Teledyne, its affiliates, and agents for damage or injury from misuse or neglect of this equipment is implied or assumed.

### **ATEX/IECEX Certified Product**

This unit is ATEX and IECEX certified, no modifications are permitted without reference to Intertek.

**ATEX: ITS17ATEX102893X**

**IECEX: IECEX ETL 17.0067X**

### **Special Conditions for Safe Use**

- Due to the window, the unit shall only be located in an area of low impact.

*Note: The pilot light EFL PC and the covers with windows have only been tested with a shock corresponding to a low risk energy of 2 joules.*

- Suitably certified Ex d IIB+H2 Gb cable glands, thread adapters and blanking elements must be used.
- This instrument must be externally and internally grounded as per the Wiring Diagram included in the Appendix.

### **Additional ATEX/IECEX Information**

This instrument uses flameproof joints that have different values from those specified in the tables of the IEC 60079-1 standard. If repairs are needed, please contact Teledyne Customer Service at the address below.

Teledyne Analytical Instruments  
16830 Chestnut Street  
City of Industry, CA 91748


Phone (626) 934-1500  
Fax (626) 961-2538  
Web: [www.teledyne-ai.com](http://www.teledyne-ai.com)

### **Labels**

The following ATEX labels are affixed to this system and must remain attached and in readable condition.

# Trace Oxygen Analyzer

---

⊕  Teledyne Analytical Instruments ⊕  
CA 91748-1580 U.S.A.

---

PROCESS ANALYZER SYSTEM MODEL 3020T  
Serial No.: \_\_\_\_\_ □ □ □ □  
Year of construction: \_\_\_\_20□ □ □ □  
Code: \_\_\_\_\_ — \_\_\_\_\_ ⊕ II 2 G Ex d IIB+H2 T5..T6 Gb  
Operating Temperature: \_\_\_\_-0°C ≤ Tamb ≤ +50°C

WARNING DO NOT OPEN WHEN ENERGIZED!

CE 1180 ITS16ATEX18456X  
IECEX ITS 16.0029X ⊕

**Blank Page**

## Table of Contents

---

<b>Safety Messages .....</b>	<b>i</b>
ATEX/IECEX Certified Product	iii
Special Conditions for Safe Use	iv
Additional ATEX/IECEX Information	iv
Labels	iv
<b>Table of Contents .....</b>	<b>i</b>
<b>List of Figures.....</b>	<b>v</b>
<b>List of Tables .....</b>	<b>vi</b>
<b>Introduction .....</b>	<b>1</b>
1.1 Overview	1
1.2 Typical Applications	1
1.3 Main Features of the Analyzer	1
1.4 Model Designations	3
1.5 Operator Interface	3
1.5.1 UP/DOWN Switch	5
1.5.2 ESCAPE/ENTER Switch	6
1.5.3 Displays	7
1.6 Recognizing Difference Between LCD & VFD	7
1.7 Equipment Interface	7
1.7.1 Electrical Connector Panel	7
1.7.2 Gas Connector Panel (Option)	9
<b>Operational Theory .....</b>	<b>11</b>
2.1 Introduction	11
2.2 Micro-Fuel Cell Oxygen Sensors	11
2.2.1 Principles of Operation	11





2.2.2 Anatomy of a Micro-Fuel Cell	12
2.2.3 Electrochemical Reactions	13
2.2.4 The Effect of Pressure	14
2.2.5 Calibration Characteristics	14
<b>Installation .....</b>	<b>19</b>
3.1 Unpacking the Analyzer	19
3.2 Mounting the Analyzer	19
3.3.1 Primary Input Power	22
3.3.2 Fuse Installation	23
3.3.3 Analog Outputs	23
3.3.4 Alarm Relays	25
3.3.5 Digital Remote Cal Inputs	27
3.3.6 Range ID Relays	28
3.3.7 Network I/O	28
3.3.8 RS-232 Port	28
3.3.9 Remote Sensor and Solenoid Valves	30
3.4 Installing the Micro-Fuel Cell	31
3.5 Gas Connections	31
<b>Operation .....</b>	<b>35</b>
4.1 Introduction	35
4.2 Using the Controls	35
4.2.1 Mode/Function Selection	36
4.2.1.1 Analysis Mode	36
4.2.1.2 Setup Mode	36
4.2.2 Data Entry	38
4.2.2.1 ENTER	38
4.2.2.2 ESCAPE	39
4.3 The AUTO-CAL Function	39
4.4 The PWD (Password) Function	40
4.4.1 Entering the Password	40



## Trace Oxygen Analyzer

---

4.4.2 Installing or Changing the Password	41
4.5 The LOGOUT Function	43
4.6 The VERSION Screen	43
4.7 The SELF-TEST Function	43
4.8 The Zero and Span Functions	44
4.8.1 Zero Cal	45
4.8.1.1 Auto Mode Zeroing	45
4.8.1.2 Manual Mode Zeroing	46
4.8.1.3 Cell Failure	47
4.8.2 Span Cal	48
4.8.2.1 Auto Mode Spanning	48
4.8.2.2 Manual Mode Spanning	49
4.9 The ALARMS Function	50
4.10 The RANGE Function	52
4.10.1 Setting the Analog Output Ranges	53
4.10.2 Automatic Ranging	53
4.10.3 Fixed Range Analysis	53
4.11 The CONTRAST Function	54
4.12 The STANDBY Function	54
4.13 The Analysis Mode	55
<b>Maintenance.....</b>	<b>57</b>
5.1 Routine Maintenance	57
5.2 Major Internal Components	57
5.3 Cell Replacement	58
5.3.1 Storing and Handling Replacement Cells	58
5.3.2 When to Replace a Cell	59
5.3.3 Removing the Micro-Fuel Cell	60
5.3.4 Installing a New Micro-Fuel Cell	61
5.3.5 Cell Warranty	62
5.4 Fuse Replacement	63

5.5 System Self Diagnostic Test	64
<b>Appendix.....</b>	<b>67</b>
A-1 Specifications	67
A-2 Recommended 2-Year Spare Parts List	69
A-3 Drawing List	70

### List of Figures

---

Figure 1-1: Model 3020T Controls, Indicators, and Connectors with Optional Gas Control Panel.....	4
Figure 1-2: Standard Model 3020T Without Gas Control Panel .....	5
Figure 1-2: Electrical Connector Panel.....	8
Figure 1-3: Model 3020T Optional Gas Connector Panel.....	9
Figure 2-1: Micro-Fuel Cell .....	12
Figure 2-2. Cross Section of a Micro-Fuel Cell (not to scale) .....	12
Figure 2-3. Characteristic MFC Input/Output Curve .....	15
Figure 2-4: Flow Diagram.....	16
Figure 2-5: Block Diagram of the Model 3020T Electronics.....	17
Figure 3-1: Front View of the Model 3020T .....	21
Figure 3-2: Required Front Door Clearance .....	21
Figure 3-3: Electrical Connector Panel.....	22
Figure 3-4: Primary Input Power Connections.....	23
Figure 3-5: Analog Output Connections .....	24
Figure 3-6: Types of Relay Contacts .....	26
Figure 3-7: Remote Solenoid Return Connector Pinouts .....	30
Figure 3-8: FET Series Resistance .....	31
Figure 4-1: Modes and Functions.....	38
Figure 5-1: Major Internal Components.....	58
Figure 5-2: Sensor Replacement.....	61
Figure 5-2: Removing Fuse Cap and Fuse from Holder .....	64

## List of Tables

---

Table 3-1: Analog Concentration Output—Example .....	25
Table 3-2: Analog Range ID Output—Example.....	25
Table 3-3: RS-232 Signals .....	29
Table 3-4: Commands via RS-232 Input .....	29
Table 3-5: Required RS-232 Options .....	30

## Introduction

---

### 1.1 Overview

The Teledyne Analytical Instruments Model 3020T Trace Oxygen Analyzer is a versatile microprocessor-based instrument for detecting oxygen at the parts per million (ppm) level in a variety of gases. This manual covers the ATEX/IECEX certified explosion-proof, bulkhead-mount Model 3020T Trace Oxygen Analyzer unit only.

### 1.2 Typical Applications

A few typical applications of the Model 3020T are:

- Monitoring inert gas blanketing
- Air separation and liquefaction
- Chemical reaction monitoring
- Semiconductor manufacturing
- Petrochemical process control
- Quality assurance
- Gas analysis certification.

### 1.3 Main Features of the Analyzer

The Model 3020T Trace Oxygen Analyzer is sophisticated yet simple to use. The main features of the analyzer include:

- A 2-line alphanumeric display screen, driven by microprocessor electronics that continuously prompts and informs the operator.
- High resolution, accurate readings of oxygen content from low ppm levels to 20.9%. Large, bright, meter readout.
- Optional stainless steel cell block.



- Advanced Micro-Fuel Cell specifically designed for trace analysis
- Versatile analysis over a wide range of applications.
- Microprocessor based electronics: 8-bit CMOS microprocessor with 32 kB RAM and 128 kB ROM.
- Three user definable output ranges (from 0-10 ppm through 0-250,000 ppm) allow best match to users process and equipment.
- Air-calibration range for convenient spanning at 20.9 %.
- Auto Ranging allows analyzer to automatically select the proper preset range for a given measurement. Manual override allows the user to lock onto a specific range of interest.
- Two adjustable concentration alarms and a system failure alarm.
- Extensive self-diagnostic testing, at startup and on demand, with continuous power-supply monitoring.
- RS-232 serial digital port for use with a computer or other digital communication device.
- Four analog outputs: two for concentration (0-1 VDC and isolated 4–20 mA DC) and two for range identification.
- Explosion proof housing ATEX/IECEX certified for use in II 2G ExD IIB+H2 T6 Gb hazardous environments.
- 316SS tubing and fittings.
- 316SS flame arrestors (ATEX, IECEX II2C).
- 6 mm user gas connections
- 1” and 3/4” feedthroughs for electrical cable entry into the enclosure.

## 1.4 Model Designations

- 3020T:** Standard model.
- 3020T-C:** In addition to all standard features, this model also has separate ports for zero and span gases, and built-in control valves. The internal valves are entirely under the control of the 3020T electronics, to automatically switch between gases in synchronization with the analyzer's operations
- 3020T-S:** Stainless steel cell block and sampling system.
- All of the above options are available in combination.

## 1.5 Operator Interface

All controls and displays on the standard 3020T are accessible from outside the housing. The instrument has two simple operator controls. The operator has constant feedback from the instrument through an alphanumeric display, a digital oxygen meter, and a sample flow meter. The displays and controls are described briefly here and in greater detail in chapter 4. Figure 1-1 shows the 3020T with the optional gas panel. Figure 1-2 is the standard instrument without gas panel..

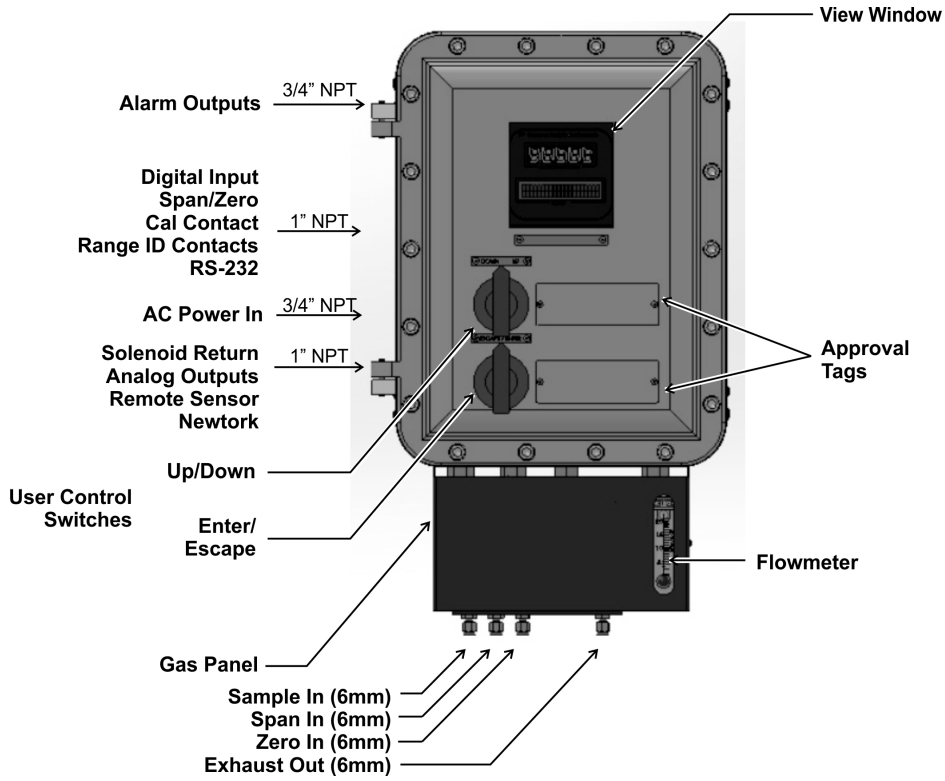
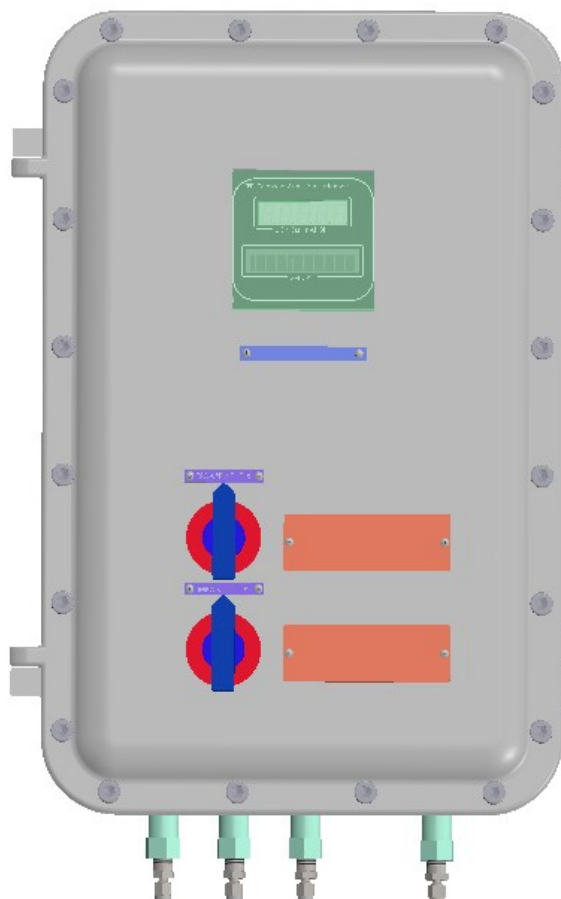


Figure 1-1: Model 3020T Controls, Indicators, and Connectors with Optional Gas Control Panel



*Figure 1-2: Standard Model 3020T Without Gas Control Panel*

The standard tube connections are 6 mm but other sizes are available.

### **1.5.1 UP/DOWN Switch**

**Functions:** The UP/DOWN switch is a 3-way switch used to select the function to be performed. Choose UP or DOWN to scroll through the following list of eleven functions:

- **Auto-Cal** Set up an automatic calibration sequence.
- **PWD** Install a password to protect your analyzer setup.

- **Logout** Locks Setup Mode.
- **Version** Displays model and version of analyzer.
- **Self-Test** Runs internal diagnostic program, displays results.
- **Span** Span calibrate the analyzer.
- **Zero** Zero calibrate the analyzer.
- **Alarms** Set the alarm set points and attributes.
- **Range** Set up the 3 user definable ranges for the instrument.
- **Contrast** Adjust LCD contrast.
- **Standby** Leave analyzer powered, but no outputs or displays.

**Sub functions:** Once a Function is entered, the UP/DOWN switch is used to select between any sub functions displayed on the VFD screen.

**Parameter values:** When modifiable values are displayed on the VFD, the UP/DOWN switch can be used to increment or decrement the values.

### ***1.5.2 ESCAPE/ENTER Switch***

**Data Entry:** The ESCAPE/ENTER switch is a 3-way switch used to input data, from the alphanumeric VFD screen into the instrument:

- **Escape** Moves VFD display back to the previous screen in a series. If none remains, returns to the *Analyze* screen.

With sub function selected, moves VFD back through items on screen, to first item, then moves VFD to previous display.

- **Enter** With a Sub function Selected: Moves VFD on to the next screen in a series. If none remains, returns to the *Analyze* screen.

With a Value Selected: Enters the value into the analyzer as data. Advances VFD to next operation.

(See Chapter 4 for details.)

### 1.5.3 Displays

**Digital Meter Display:** The meter display is a LED device that produces large, bright, 7-segment numbers that are legible in any lighting. It produces a continuous readout from 0-10,000 ppm and then switches to a continuous percent readout from 1-25%. It is accurate across all analysis ranges without the discontinuity inherent in analog range switching.

**Alphanumeric Interface Screen:** The backlit VFD screen is an easy-to-use interface from operator to analyzer. It displays values, options, and messages that give the operator immediate feedback.

**Flowmeter:** Monitors the flow of gas past the sensor. Readout is 0.2 to 2.4 standard liters per minute (SLPM).

## 1.6 Recognizing Difference Between LCD & VFD

LCD has *GREEN* background with *BLACK* characters. VFD has *DARK* background with *GREEN* characters. In the case of VFD - *NO CONTRAST ADJUSTMENT IS NEEDED*.

## 1.7 Equipment Interface

### 1.7.1 Electrical Connector Panel

The electrical connector panel, shown in Figure 1-2, contains the electrical connections for external inlets and outlets. The connectors are described briefly here and in detail in the *Installation* chapter of this manual.

**CAUTION:** *Power must be disconnected before opening the instrument door.*



**WARNING:** *DO NOT OPEN WHEN AN EXPLOSIVE ATMOSPHERE IS PRESENT.*



**Electrical Connections:** The electrical connections on the electrical connector panel are described briefly here, and in more detail in chapter 3 *Installation*.

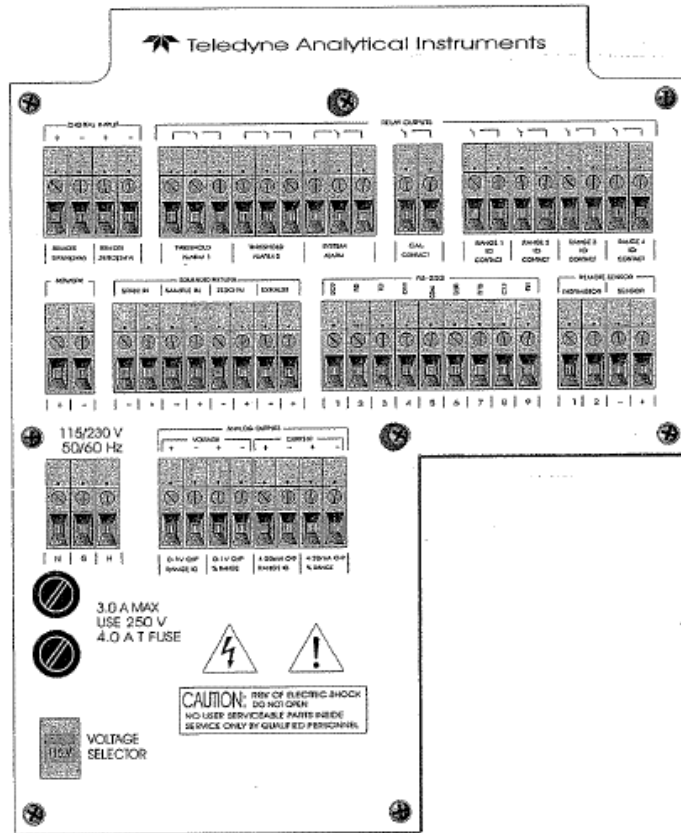


Figure 1-2: Electrical Connector Panel

- **Power Connection** 115 or 230 VDC, 50 or 60 Hz.
- **Analog Outputs** 0-1 VDC concentration plus 0-1 VDC range ID and isolated 4-20 mA DC plus 4-20 mA DC range ID.
- **Alarm Connections** 2 concentration alarms and 1 system alarm.
- **RS-232 Port** Serial digital concentration signal output and control input.

- **Remote Valves** Used for controlling external solenoid valves, if desired.
- **Remote Sensor** Used for external sensor and thermocouple, if desired.
- **Remote Span/Zero** Digital inputs allow external control of analyzer calibration.
- **Calibration Contact** To notify external equipment that instrument is being calibrated and readings are not monitoring sample.
- **Range ID Contacts** Four separate, dedicated, range relay contacts. Low, Medium, High, Cal.
- **Network I/O** Serial digital communications for local network access. For future expansion. Not implemented at this printing.

### 1.7.2 Gas Connector Panel (Option)

The optional gas connector panel is shown in Figure 1-3. It contains the 6 mm gas connections for external inlets and outlets (other size fittings are available on request). The connections are described briefly here and in detail in the *Installation* chapter of this manual.

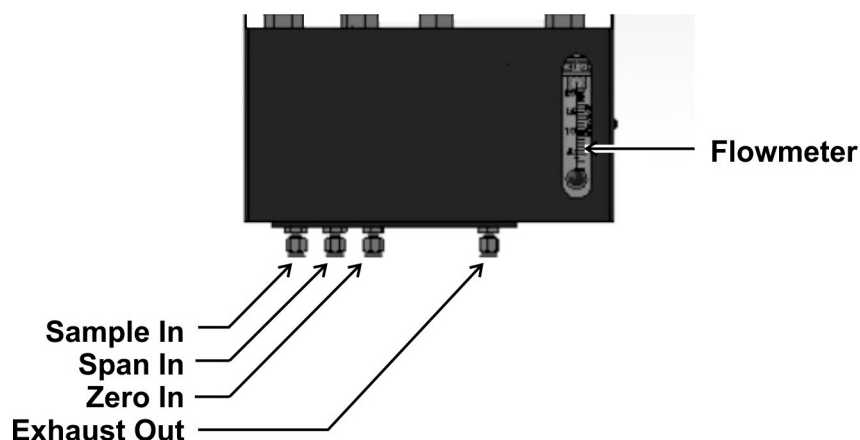


Figure 1-3: Model 3020T Optional Gas Connector Panel



**Optional:**

- **Calibration Gas Ports** Separate fittings for zero, span and sample gas input, plus internal valves for automatically switching the gases in sync with the 3020T electronics.

*Note: If you require highly accurate Auto-Cal timing, use external Auto-Cal control where possible. The internal clock in the Model 3020T is accurate to 2-3%. Accordingly, internally scheduled calibrations can vary 2-3% per day.*

## **Operational Theory**

---

### **2.1 Introduction**

The analyzer is composed of three subsystems:

1. Micro-Fuel Cell Sensor
2. Sample System
3. Electronic Signal Processing, Display and Control

The sample system is designed to accept the sample gas and transport it through the analyzer without contaminating or altering the sample prior to analysis. The Micro-Fuel Cell (MFC) is an electrochemical galvanic device that translates the amount of oxygen present in the sample into an electrical current. The electronic signal processing, display and control subsystem simplifies operation of the analyzer and accurately processes the sampled data. The microprocessor controls all signal processing, input/output and display functions for the analyzer.

### **2.2 Micro-Fuel Cell Oxygen Sensors**

#### ***2.2.1 Principles of Operation***

The oxygen sensor used in the Model 3020T is a Micro-Fuel Cell designed and manufactured by Analytical Instruments. It is a sealed plastic disposable electrochemical transducer.

The active components of the Micro-Fuel Cell are a cathode, an anode, and the 15% aqueous KOH electrolyte in which they are immersed. The cell converts the energy from a chemical reaction into an electrical current in an external electrical circuit. Its action is similar to that of a battery.

There is, however, an important difference in the operation of a battery as compared to the Micro-Fuel Cell: In the battery, all reactants are stored within the cell, whereas in the Micro-Fuel Cell, one of the reactants (oxygen) comes from outside the device as a constituent of the sample gas being analyzed. The Micro-Fuel Cell is therefore a hybrid

between a battery and a true fuel cell. (All of the reactants are stored externally in a true fuel cell.)

### 2.2.2 Anatomy of a Micro-Fuel Cell

The Micro-Fuel Cell is a cylinder only 1.25 inches in diameter and 1.25 inches thick. It is made of an extremely inert plastic, which can be placed confidently in practically any environment or sample stream. It is effectively sealed, although one end is permeable to oxygen in the sample gas. The other end of the cell is a contact plate consisting of two concentric foil rings. The rings mate with spring-loaded contacts in the sensor block assembly and provide the electrical connection to the rest of the analyzer. Figure 2-1 illustrates the external features.

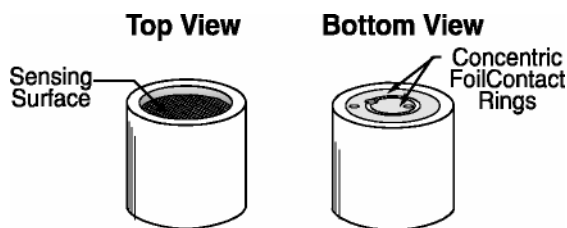


Figure 2-1: Micro-Fuel Cell

Refer to Figure 2-2, *Cross Section of a Micro-Fuel Cell*, which illustrates the following internal description.

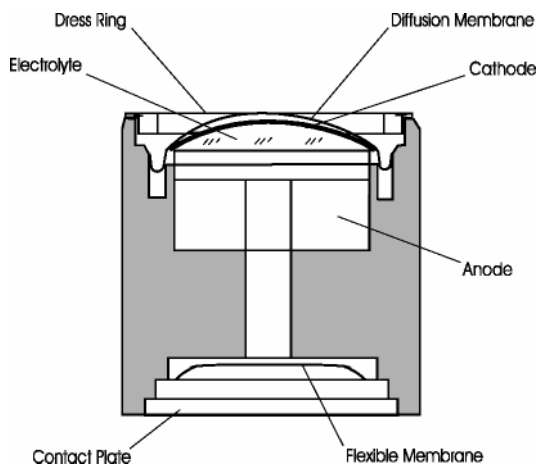


Figure 2-2. Cross Section of a Micro-Fuel Cell (not to scale)



At the top end of the cell is a diffusion membrane of Teflon®, whose thickness is very accurately controlled. Beneath the diffusion membrane lies the oxygen sensing element—the cathode—with a surface area almost 4 cm<sup>2</sup>. The cathode has many perforations to ensure sufficient wetting of the upper surface with electrolyte, and it is plated with an inert metal.

The anode structure is below the cathode. It is made of lead and has a proprietary design which is meant to maximize the amount of metal available for chemical reaction.

At the rear of the cell, just below the anode structure, is a flexible membrane designed to accommodate the internal volume changes that occur throughout the life of the cell. This flexibility assures that the sensing membrane remains in its proper position, keeping the electrical output constant.

The entire space between the diffusion membrane, above the cathode, and the flexible rear membrane, beneath the anode, is filled with electrolyte. Cathode and anode are submerged in this common pool. They each have a conductor connecting them to one of the external contact rings on the contact plate, which is on the bottom of the cell.

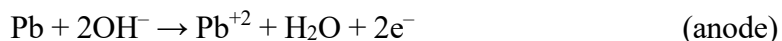
### ***2.2.3 Electrochemical Reactions***

The sample gas diffuses through the Teflon membrane. Any oxygen in the sample gas is reduced on the surface of the cathode by the following HALF REACTION:



(Four electrons combine with one oxygen molecule—in the presence of water from the electrolyte—to produce four hydroxyl ions.)

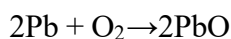
When the oxygen is reduced at the cathode, lead is simultaneously oxidized at the anode by the following HALF REACTION:



(Two electrons are transferred for each atom of lead that is oxidized. Therefore it takes two of the above anode reactions to balance one cathode reaction and transfer four electrons.)

The electrons released at the surface of the anode flow to the cathode surface when an external electrical path is provided. The current is proportional to the amount of oxygen reaching the cathode. It is measured and used to determine the oxygen concentration in the gas mixture.

The overall reaction for the fuel cell is the SUM of the half reactions above, or:



(These reactions will hold as long as no gaseous components capable of oxidizing lead—such as iodine, bromine, chlorine and fluorine—are present in the sample.)

The output of the fuel cell is limited by (1) the amount of oxygen in the cell at the time and (2) the amount of stored anode material.

In the absence of oxygen, no current is generated.

### ***2.2.4 The Effect of Pressure***

In order to state the amount of oxygen present in the sample in parts-per-million or a percentage of the gas mixture, it is necessary that the sample diffuse into the cell under constant pressure.

If the total pressure increases, the rate that oxygen reaches the cathode through the diffusing membrane will also increase. The electron transfer, and therefore the external current, will increase, even though the oxygen concentration of the sample has not changed. It is therefore important that the sample pressure at the fuel cell (usually vent pressure) remain relatively constant between calibrations.

### ***2.2.5 Calibration Characteristics***

Given that the total pressure of the sample gas on the surface of the Micro-Fuel Cell input is constant, a convenient characteristic of the cell is that the current produced in an external circuit is directly proportional to the rate at which oxygen molecules reach the cathode, and this rate is directly proportional to the concentration of oxygen in the gaseous mixture. In other

words it has a linear characteristic curve, as shown in Figure 2-3. Measuring circuits do not have to compensate for nonlinearities.

In addition, since there is zero output in the absence of oxygen, the characteristic curve has close to an absolute zero (within  $\pm 1$  ppm oxygen). In practical application, zeroing may still be used to compensate for the combined zero offsets of the cell and the electronics. (The electronics is zeroed automatically when the instrument power is turned on.)

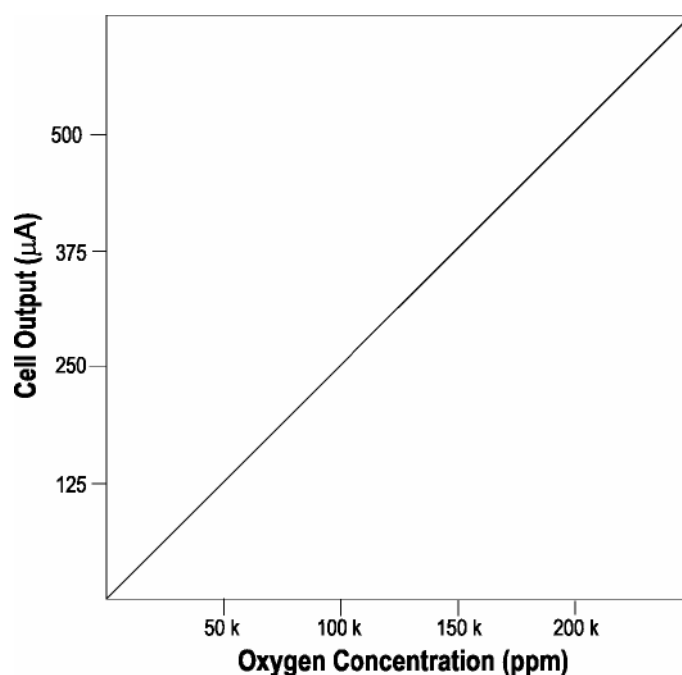


Figure 2-3. Characteristic MFC Input/Output Curve

## 2.3 Sample System

The sample system delivers gases to the Micro-Fuel Cell sensor from the analyzer rear panel inlet. Depending on the mode of operation either sample or calibration gas is delivered.

The Model 3020T sample system is designed and fabricated to ensure that the oxygen concentration of the gas is not altered as it travels

through the sample system. The sample encounters almost no dead space. This minimizes residual gas pockets that can interfere with trace analysis.

The sample system for the standard instrument incorporates 6 mm tube fittings for sample inlet and outlet connections at the bottom of the housing or on the optional gas panel. Other size tube fittings are available if needed. The sample or calibration gas flows through the system is monitored by a flowmeter downstream from the cell. Figure 2-4 shows the flow diagram for the standard model.

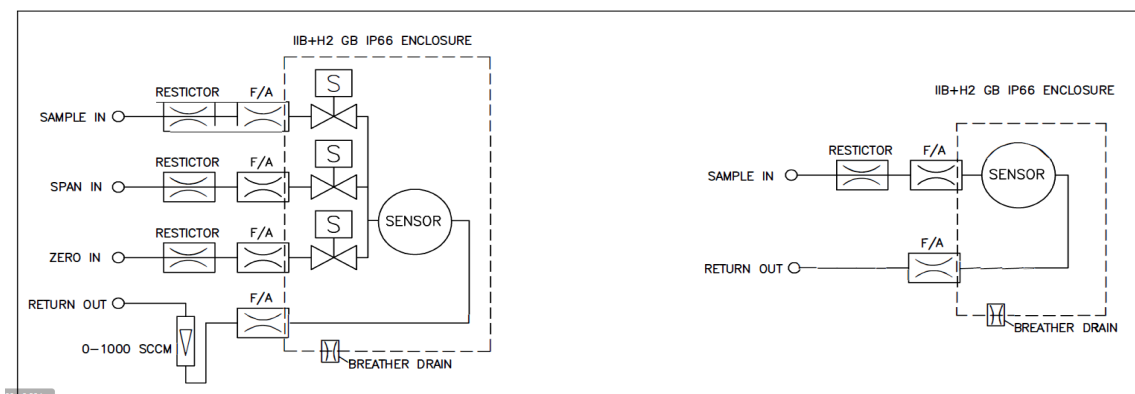
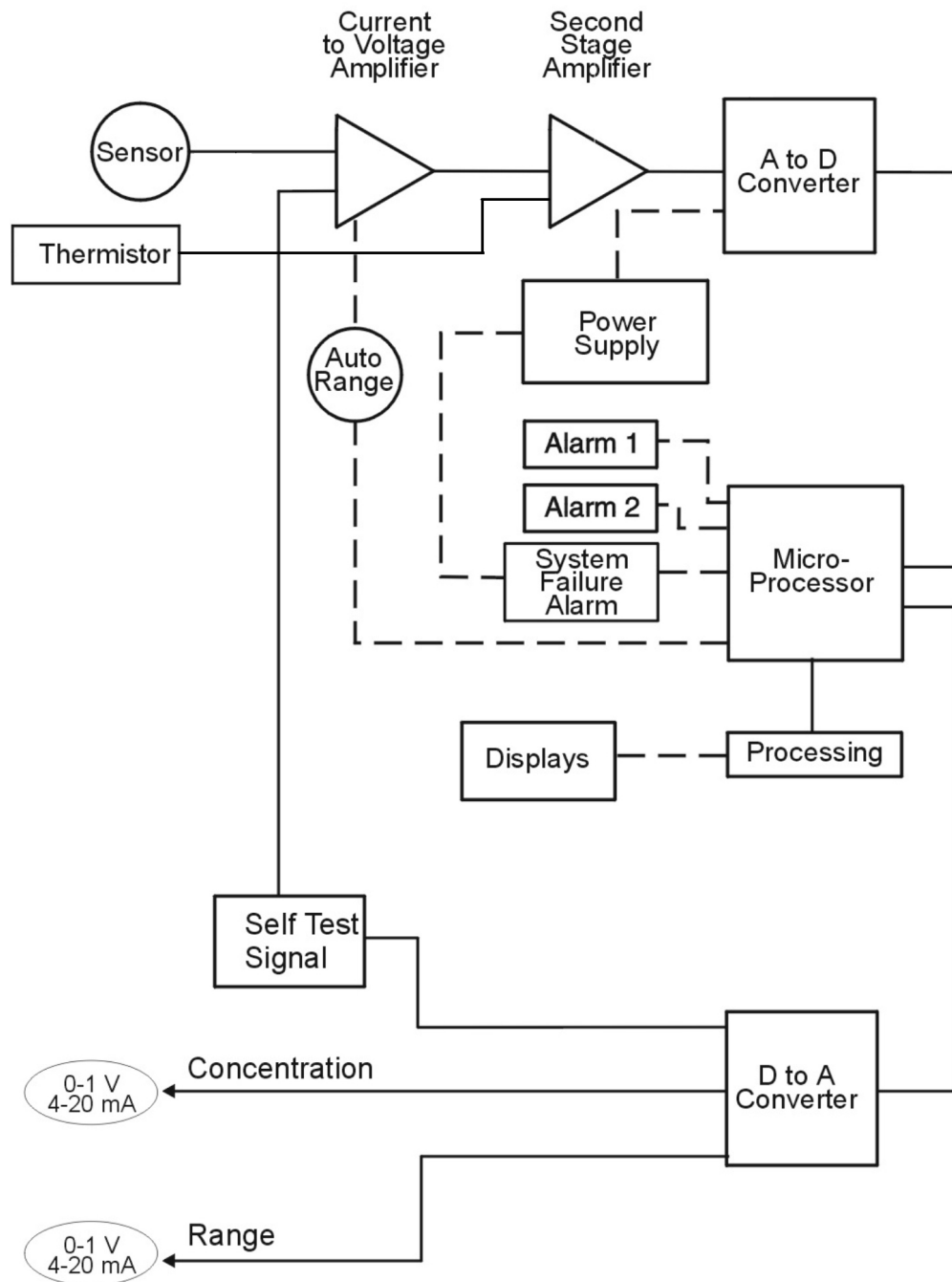


Figure 2-4: Flow Diagram

## 2.4 Electronics and Signal Processing

The Model 3020T Trace Oxygen Analyzer uses an 8031 microcontroller with 32 kB of RAM and 128 kB of ROM to control all signal processing, input/output, and display functions for the analyzer. System power is supplied from a universal power supply module designed to be compatible with most international power sources. See Chapter 5 *Maintenance* for the location of the power supply and the main electronic PC boards.

The signal processing electronics including the microprocessor, analog to digital and digital to analog converters are located on the motherboard at the bottom of the case. The preamplifier board is mounted on top of the motherboard. These boards are accessible after removing the access panel. Figure 2-5 is a block diagram of the Analyzer electronics.





*Figure 2-5: Block Diagram of the Model 3020T Electronics*

In the presence of oxygen the cell generates a current. A current to voltage amplifier converts this current to a voltage, which is amplified in the second stage amplifier.

The second stage amplifier also supplies temperature compensation for the oxygen sensor output. This amplifier circuit incorporates a thermistor, which is physically located in the cell block. The thermistor is a temperature dependent resistance that changes the gain of the amplifier in proportion to the temperature changes in the block. This change is inversely proportional to the change in the cell output due to the same temperature changes. The result is a signal that is temperature independent. The output from the second stage amplifier is sent to an 18 bit analog to digital converter controlled by the microprocessor.

The digital concentration signal along with input from the control panel is processed by the microprocessor, and appropriate control signals are directed to the display, alarms and communications port. The same digital information is also sent to a 12 bit digital to analog converter that produces the 4-20 mA DC and the 0-1 VDC analog concentration signal outputs, and the analog range ID outputs.

Signals from the power supply are also monitored, and through the microprocessor, the system failure alarm is activated if a malfunction is detected.

## 2.5 Temperature Control

For accurate analysis this instrument is temperature controlled. It is designed so that the temperature will not fall below 20°C. This is to prevent the sensor from freezing in cold environments.

## Installation

---

Installation of the Model 3020T Analyzer includes:

1. Unpacking
2. Mounting
3. Gas connections
4. Electrical connections
5. Installing the Micro-fuel Cell
6. Testing the system.

### 3.1 Unpacking the Analyzer

Carefully unpack the analyzer and inspect it for damage. Immediately report any damage to the shipping agent.

**CAUTION:** **FOR INSTALLATION IN A HAZARDOUS LOCATION, PROPER APPROVED CONDUIT SEALS, CONDUIT, GLANDS AND APPROVED CABLE MUST BE USED PER THE APPLICABLE REGULATIONS AND STANDARDS FOR ALL ELECTRICAL CONNECTION.**



**IT IS THE USER'S RESPONSIBILITY TO ENSURE THESE ITEMS ARE OBTAINED AND PROPERLY INSTALLED. THESE ITEMS ARE REQUIRED AND ARE NOT INCLUDED WITH THE ANALYZER.**

### 3.2 Mounting the Analyzer

The Model 3020T is designed for bulkhead mounting in hazardous environments. There are four mounting lugs—one in each corner of the enclosure, as shown in Figure 3-1. The outline drawing, at the back of this manual, gives the mounting hole size and spacing. The drawing also contains the overall dimensions. Do not forget to allow an extra 1 3/8" for the hinges.

Be sure to allow enough space in front of the enclosure to swing the door open—a 13" radius, as shown in Figure 3-2.

All electrical connections are made via cables which enter the explosion-proof housing through ports in its side. No conduit fittings are supplied. The installer must provide two 3/4" NPT and two 1" NPT adapters and the appropriate sealing conduit.

**CAUTION: ALL ENTRIES MUST BE PROPERLY SEALED PRIOR TO PLACING THE ANALYZER INTO SERVICE.**



**ALL DOOR RETAINING HARDWARE MUST BE PROPERLY INSTALLED PRIOR TO PLACING THE ANALYZER IN SERVICE.**

The enclosure must be grounded. Refer to the Outline Diagram in the Appendix for the ground lug location. The ground wire must be the largest conductor in the installation. We recommended a wire size of 10-18 AWG for the power conductor wiring and so the ground wire size must be at least 10 AWG or heavier. A 6 mm external bolt is supplied with the instrument for the ground connection. The grounding (earthing) connection is located on the bottom of the enclosure near the gas connections.

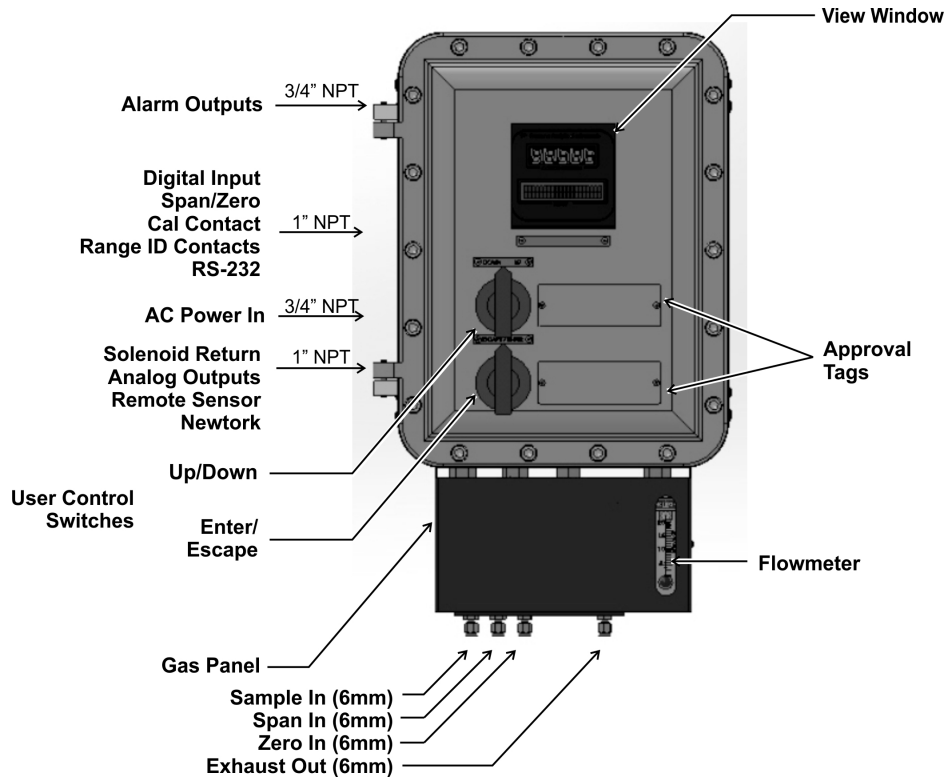


Figure 3-1: Front View of the Model 3020T (shown with optional Gas Panel)

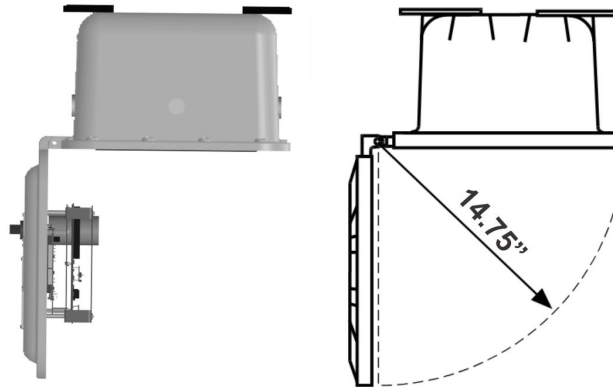


Figure 3-2: Required Front Door Clearance

### 3.3 Electrical Connections

Figure 3-3 shows the Model 3020T Electrical Connector Panel. There are terminal blocks for connecting power, communications, and both digital and analog concentration outputs. The terminal blocks are rated for 32A, 630V, 0.55-6.0 mm conductors.

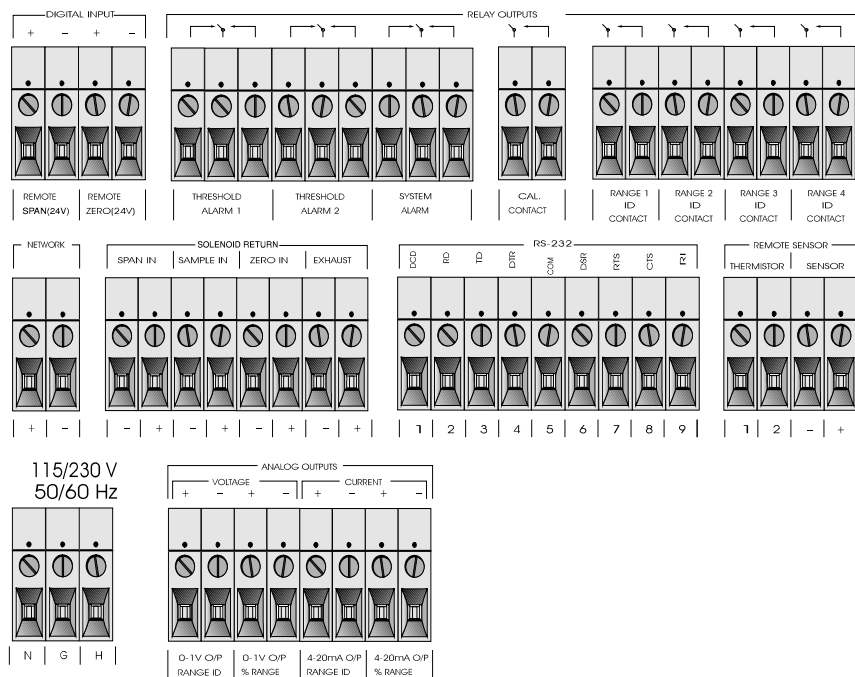


Figure 3-3: Electrical Connector Panel

For safe connections, ensure that no uninsulated wire extends outside of the connectors they are attached to. Stripped wire ends must insert completely into terminal blocks. No uninsulated wiring should be able to come in contact with fingers, tools or clothing during normal operation. The instrument must be grounded both internally and externally as per the Wiring Diagram in the Appendix.

#### 3.3.1 Primary Input Power

The universal power supply requires a 115 or 230 VAC, 50 or 60 Hz power source. The actual input voltage used must show in the window

of the VOLTAGE SELECTOR switch **before** the power source is connected. See Figure 3-4 for detailed connections.

**DANGER:** *Power is applied to the instrument's circuitry as long as the instrument is connected to the power source. The Standby function switches power on or off to the displays and outputs only.*

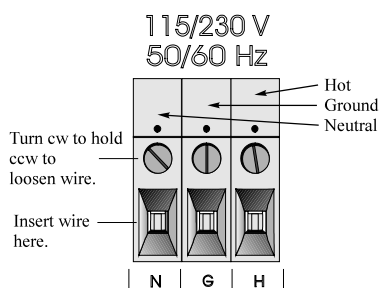


Figure 3-4: Primary Input Power Connections

### 3.3.2 Fuse Installation

The fuse holders accept 5 x 20 mm, 4 A, type 250VAC fuses. Fuses are not installed at the factory. Be sure to install the proper fuse as part of installation. (See *Fuse Replacement* in Chapter 5, *maintenance*.)

### 3.3.3 Analog Outputs

There are eight DC output signal connectors on the ANALOG OUTPUTS connector block. There are two connectors per output with the polarity noted. See Figure 3-5.

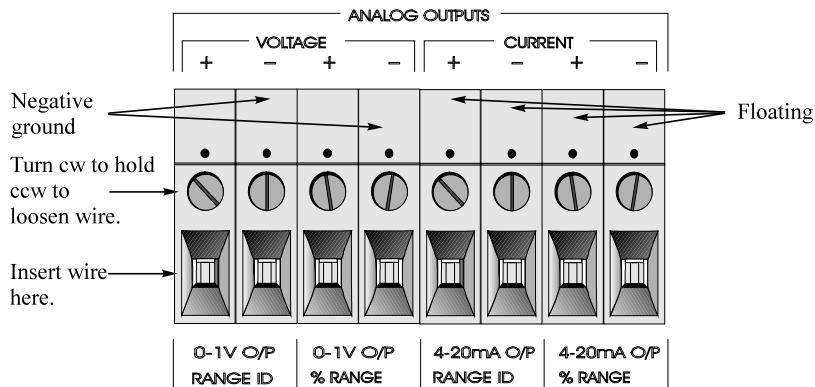


Figure 3-5: Analog Output Connections

The outputs are:

0–1 VDC % of Range: Voltage rises linearly with increasing oxygen, from 0 V at 0 % to 1 V at full scale. (Full scale = 100% of programmable range.)

0–1 VDC Range ID: 0.25 V = Low Range, 0.5 V = Medium Range, 0.75 V = High Range, 1 V = Air Cal Range.

4–20 mA DC % Range: (-M Option) Current increases linearly with increasing oxygen, from 4 mA at 0 % to 20 mA at full scale. (Full scale = 100% of programmable range.)

4–20 mA DC Range ID: (-M Option) 8 mA = Low Range, 12 mA = Medium Range, 16 mA = High Range, 20 mA = Air Cal Range.

**Examples:**

The analog output signal has a voltage which depends on the oxygen concentration AND the currently activated analysis range. To relate the signal output to the actual concentration, it is necessary to know what range the instrument is currently on, especially when the analyzer is in the auto-ranging mode.

The signal output for concentration is linear over the currently selected analysis range. For example, if the analyzer is set on a range that was defined as 0–10 % O<sub>2</sub>, then the output would be as shown in Table 3-1.

Table 3-1: Analog Concentration Output—Example

% O <sub>2</sub>	Voltage Signal Output (VDC)	Current Signal Output (mA DC)
0	0.0	4.0
1	0.1	5.6
2	0.2	7.2
3	0.3	8.8
4	0.4	10.4
5	0.5	12.0
6	0.6	13.6
7	0.7	15.2
8	0.8	16.8
9	0.9	18.4
10	1.0	20.0

To provide an indication of the range, a second pair of analog output terminals are used. They generate a steady preset voltage (or current when using the current outputs) to represent a particular range. Table 3-2 gives the range ID output for each analysis range.

Table 3-2: Analog Range ID Output—Example

Range	Voltage (V)	Current (mA)
LO	0.25	8
MED	0.50	12
HI	0.75	16
CAL (0-25%)	1.00	20

### 3.3.4 Alarm Relays

There are three alarm-circuit connectors on the alarm relays block (under RELAY OUTPUTS) for making connections to internal alarm relay contacts. Each provides a set of Form C contacts for each type of alarm. Each has both normally open and normally closed contact connections. The contact connections are indicated by diagrams on the connector panel. They are capable of switching up to 3 amperes at 250 V ac into a resistive load. See Figure 3-6.



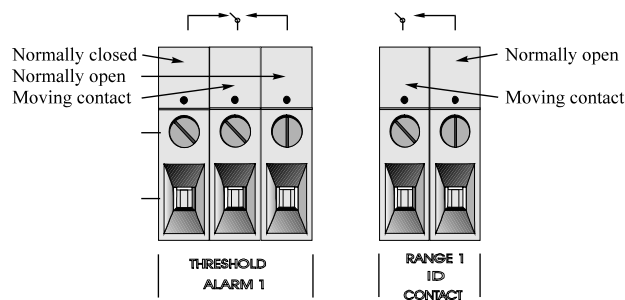


Figure 3-6: Types of Relay Contacts

The connectors are:

#### Threshold Alarm 1:

- Can be configured as high (actuates when concentration is above threshold), or low (actuates when concentration is below threshold).
- Can be configured as failsafe or non-failsafe.
- Can be configured as latching or non-latching.
- Can be configured out (defeated).

#### Threshold Alarm 2:

- Can be configured as high (actuates when concentration is above threshold), or low (actuates when concentration is below threshold).
- Can be configured as failsafe or non-failsafe.
- Can be configured as latching or non-latching.
- Can be configured out (defeated).

#### System Alarm:

- Actuates when DC power supplied to circuits is unacceptable in one or more parameters.
- Permanently configured as failsafe and latching. Cannot be defeated.
- Actuates if self test fails.

To reset a System Alarm during installation, disconnect power to the instrument and then reconnect it.

Further detail can be found in Chapter 4, Section 4-5.

### 3.3.5 Digital Remote Cal Inputs

**Remote Zero and Span Inputs:** The REMOTE SPAN and REMOTE ZERO inputs are on the DIGITAL INPUT terminal block. They accept 0 V (OFF) or 24 VDC (ON) for remote control of calibration. (See *Remote Calibration Protocol* below.)

**ZERO:** Floating input. 5 to 24 V input across the + and – terminals puts the analyzer into the **Zero** mode. Either side may be grounded at the source of the signal. 0 to 1 volt across the terminals allows **Zero** mode to terminate when done. A synchronous signal must open and close the external zero valve appropriately. See 3.3.9 *Remote Sensor and Solenoid Valves*. (With the –C option, the internal valves automatically operate synchronously.)

**SPAN:** Floating input. 5 to 24 V input across the + and – terminals puts the analyzer into the **Span** mode. Either side may be grounded at the source of the signal. 0 to 1 volt across the terminals allows **Span** mode to terminate when done. A synchronous signal must open and close the external span valve appropriately. See 3.3.9 *Remote Sensor and Solenoid Valves*. (With the –C option, the internal valves automatically operate synchronously.)

**Cal Contact:** This relay contact is closed while analyzer is spanning and/or zeroing. (See *Remote Calibration Protocol* below.)

**Remote Calibration Protocol:** To properly time the Digital Remote Cal Inputs to the Model 3020T Analyzer, the customer's controller must monitor the CAL CONTACT relay.

When the contact is OPEN, the analyzer is analyzing, the Remote Cal Inputs are being polled, and a zero or span command can be sent.

When the contact is CLOSED, the analyzer is already calibrating. It will ignore your request to calibrate, and it will not remember that request.

Once a zero or span command is sent, and acknowledged (contact closes), release it. If the command is continued until after the zero or

span is complete, the calibration will repeat and the Cal Relay Contact (CRC) will close again.

For example:

1. Test the CRC. When the CRC is open, Send a zero command until the CRC closes (The CRC will quickly close.)
2. When the CRC closes, remove the zero command.
3. When CRC opens again, send a span command until the CRC closes. (The CRC will quickly close.)
4. When the CRC closes, remove the span command.

When CRC opens again, zero and span are done, and the sample is being analyzed.

*Note: The remote probe connections (paragraph 3.3.9) provides signals to ensure that the zero and span gas valves will be controlled synchronously. If you have the –C Internal valve option—which includes additional zero and span gas inputs—the 3020T automatically regulates the zero, span and sample gas flow.*

### **3.3.6 Range ID Relays**

There are four dedicated RANGE ID CONTACT relays. The first three ranges are assigned to relays in ascending order—Low range is assigned to RANGE 1 ID, Medium range is assigned to RANGE 2 ID, and High range is assigned to RANGE 3 ID. RANGE 4 ID is reserved for the Air Cal Range (25%).

### **3.3.7 Network I/O**

A serial digital input/output for local network protocol. At this printing, this port is not yet functional. It is to be used in future versions of the instrument.

### **3.3.8 RS-232 Port**

The digital signal output is a standard RS-232 serial communications port used to connect the analyzer to a computer, terminal, or other digital device. The pinouts are listed in Table 3-3.

Table 3-3: RS-232 Signals

RS-232 Sig	RS-232 Pin	Purpose
DCD	1	Data Carrier Detect
RD	2	Received Data
TD	3	Transmitted Data
DTR	4	Data Terminal Ready
COM	5	Common
DSR	6	Data Set Ready
RTS	7	Request to Send
CTS	8	Clear to Send
RI	9	Ring Indicator

The data sent is status information, in digital form, updated every two seconds. Status is reported in the following order:

The concentration in percent

The range in use (HI, MED, LO)

The span of the range (0-100 %, etc)

Which alarms—if any—are disabled (AL-x DISABLED)

Which alarms—if any—are tripped (AL-x ON).

Each status output is followed by a carriage return and line feed.

Four input functions using RS-232 have been implemented to date. They are described in Table 3-4.

Table 3-4: Commands via RS-232 Input

Command	Description
<b>as</b> <enter>	Immediately starts an autospan.
<b>az</b> <enter>	Immediately starts an autozero.
<b>co</b> <enter>	Reports “Raw Cell Output” (current output of the sensor itself) in $\mu\text{A}$ . For example— <b>Raw Cell Output: 99 <math>\mu\text{A}</math></b>
<b>st</b> <enter>	Toggling input. Stops/Starts any status message output from the RS-232, until <b>st</b> <enter> is sent again.

The RS-232 protocol allows some flexibility in its implementation. Table 3-5 lists certain RS-232 values that are required by the 3020T implementation.

Table 3-5: Required RS-232 Options

Parameter	Setting
Baud	2400
Byte	8 bits
Parity	none
Stop Bits	1
Message Interval	2 seconds

### 3.3.9 Remote Sensor and Solenoid Valves

The 3020T is a single-chassis instrument, which has its own sensor and, in the -C option, its own gas-control solenoid valves. The REMOTE SENSOR connector is not used, and the SOLENOID RETURN connectors are used (without the -C option) to synchronize external gas control valves. See Figure 3-7.

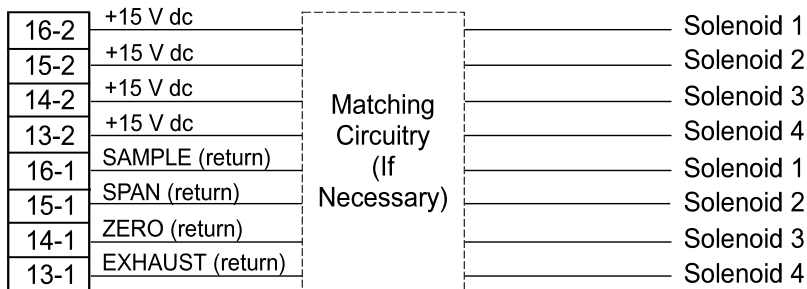


Figure 3-7: Remote Solenoid Return Connector Pinouts

The voltage from these outputs is nominally 0 V for the OFF and 15 VDC for the ON conditions. The maximum combined current that can be pulled from these output lines is 100 mA. (If two lines are ON at the same time, each must be limited to 50 mA, etc.) If more current and/or a different voltage is required, use a relay, power amplifier, or other matching circuitry to provide the actual driving current.

In addition, each individual line has a series FET with a nominal ON resistance of 5 ohms (9 ohms worst case). This could limit the

obtainable voltage, depending on the load impedance applied. See Figure 3-8.

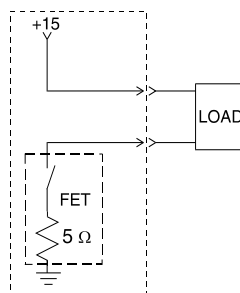


Figure 3-8: FET Series Resistance

### 3.4 Installing the Micro-Fuel Cell

The Micro-Fuel Cell is not installed in the cell block when the instrument is shipped. Install it before the analyzer is placed in service.

Once it is expended, or if the cell is exposed to air for too long, the Micro-Fuel Cell will need to be replaced. The cell could also require replacement if the instrument has been idle for too long.

When the micro-Fuel Cell needs to be installed or replaced, follow the procedures in Chapter 5, *Maintenance*, for removing and installing cells.

### 3.5 Gas Connections

The analyzer is configured for pressurized service. A restrictor is located on the sample in line, or in the auto-cal assembly.

The standard restrictor will limit the maximum sample flowrate to approximately 1.1 SLPM at 20 psig. Other restrictors are available to meet customer requirements. Contact Teledyne Customer Service for additional information.

**.WARNING: OPERATING THE UNIT WITHOUT RESTRICTORS CAN CAUSE DAMAGE TO THE MICRO-FUEL CELL.**



The unit is manufactured with 6mm tube fittings, and 1/4" fittings are available as an option. For a safe connection:

1. Insert the tube into the tube fitting, and finger-tighten the nut until the tubing cannot be rotated freely, by hand, in the fitting. (This may require an additional 1/8 turn beyond finger-tight.)
2. Hold the fitting body steady with a backup wrench, and with another wrench rotate the nut another 1-1/4 turns.

The gas pressure in should be reasonably regulated and stable as indicated by a stable flowmeter reading. The maximum pressure should not exceed 25 psig.

#### **SAMPLE IN:**

In the standard model, gas connections are made at the SAMPLE IN and EXHAUST OUT connections. Calibration gases must be tee'd into the Sample inlet with appropriate valves.

The gas pressure in should be reasonably regulated. Pressures between 3 and 25 psig are acceptable as long as the pressure, once established, will keep the front panel flowmeter reading in an acceptable range (0.1 to 2.4 SLPM). For non-pressurized sample or very low pressure, (2 psig or less) vacuum service plumbing is recommended. Exact figures will depend on your process.

If greater flow is required for improved response time, install a bypass in the sampling system upstream of the analyzer input.

*Note: If the unit is for vacuum service, the above numbers apply instead to the vacuum at the EXHAUST OUT connector, described below, with minus signs before the pressure readings.*

#### **EXHAUST OUT:**

Exhaust connections must be consistent with the hazard level of the constituent gases. Check Local, State, and Federal laws, and ensure that the exhaust stream vents to an appropriately controlled area if required.

#### **ZERO IN and SPAN IN (Optional):**

These are additional ports for inputting span gas and zero gas. There are electrically operated valves inside for automatic switching between sample and calibration gases. These valves are completely under control of the 3020T Electronics. They can be externally controlled only indirectly through the Remote Cal Inputs, described below.

Pressure, flow, and safety considerations are the same as prescribed for the SAMPLE IN inlet, above.

### 3.6 Testing the System

Before plugging the instrument into the power source:

- Check the integrity and accuracy of the gas connections. Make sure there are no leaks.
- Check the integrity and accuracy of the electrical connections. Make sure there are no exposed conductors
- Check that sample pressure is between 3 and 25 psig, according to the requirements of your process.
- Check that the voltage selector switch on the Electrical Connector Panel is in the appropriate position for your power source.

Power up the system, and test it by performing the following operations:

1. Repeat the Self-Diagnostic Test as described in Chapter 4, Section 4.3.5.



**Blank Page**

## Operation

---

### 4.1 Introduction

Once the analyzer has been installed, it can be configured for your application. To do this you will:

- Establish and start an automatic calibration cycle, if desired. (Electrically operated valves required.)
- Define the three user selectable analysis ranges. Then choose auto-ranging or select a fixed range of analysis, as required.
- Calibrate the instrument.
- Set alarm set points, and modes of alarm operation (latching, failsafe, etc).
- Establish a security password, if desired, requiring Operator to log in.

Before you configure your 3020T these default values are in effect:

<b>Ranges:</b>	LO = 0-100 ppm, MED = 0-1,000 ppm, HI = 0-10,000 ppm.
<b>Auto Ranging:</b>	ON
<b>Alarm Relays:</b>	Defeated, 1000 ppm, HI, Not failsafe, Not latching.
<b>Zero:</b>	Auto, every 0 days at 0 hours.
<b>Span:</b>	Auto, at 209,000 ppm, every 0 days at 0 hours.
<b>Password:</b>	T E T A I

### 4.2 Using the Controls

To get the proper response from these controls, turn the control toward the desired action (ESCAPE or ENTER—DOWN or UP), and then release it. Turn-and-release once for each action. For example, turn-and-release twice toward UP to move the VFD screen two selections upwards on the list of options (menu).

The item that is between arrows on the screen is the item that is currently selectable by choosing ENTER (turn-and-release toward ENTER with the ESCAPE/ENTER control).

In these instructions, to ENTER means to turn-and-release toward ENTER, and To ESCAPE means to turn-and-release towards ESCAPE. To scroll UP (or scroll DOWN) means to turn-and-release toward UP (or DOWN) as many times as necessary to reach the required menu item.

#### **4.2.1 Mode/Function Selection**

When the analyzer is first powered up, and has completed its initialization and self diagnostics, ESCAPE toggles the instrument between the ANALYZE screen (*Analysis Mode*) and the MAIN MENU screen (*Setup Mode*). The ANALYZE screen is the only screen of the *Analysis Mode*.

The MAIN MENU screen is the top level in a series of screens used in the *Setup Mode* to configure the analyzer for the specific application. The DOWN/UP commands scroll through the options displayed on the VFD screen. The selectable option appears between arrows. When you reach the desired option by scrolling, ENTER the selection as described below.

ESCAPE takes you back up the hierarchy of screens until you reach the MAIN MENU again. ESCAPING any further just toggles between the MAIN MENU and the ANALYZE screen.

##### **4.2.1.1 ANALYSIS MODE**

This is the normal operating mode. The analyzer monitors the oxygen content of the sample, displays the percent of oxygen, and warns of any alarm conditions. Either control switches you to *Setup Mode*. *Setup Mode* switches back to *Analyze Mode* if no controls are used for more than five seconds.

##### **4.2.1.2 SETUP MODE**

The MAIN MENU consists of 12 functions you can use to customize and check the operation of the analyzer. Figure 4-1 shows the functions available with the 3020T. They are listed here with brief descriptions:

1. **AUTO-CAL**: Used to define and/or start an automatic calibration sequence.
2. **PWD**: Used to establish password protection or change the existing password.
3. **LOGOUT**: Logging out prevents unauthorized tampering with the analyzer settings.
4. **VERSION**: Displays Manufacturer, Model, and Software version of the instrument.
5. **SELF-TEST**: The instrument performs a self-diagnostic routine to check the integrity of the power supply, output boards and amplifiers.
6. **SPAN**: Set up and/or start a span calibration.
7. **ZERO**: start a zero calibration.
8. **ALARMS**: Used to set the alarm set points and determine whether each alarm will be active or defeated, HI or LO acting, latching or not, and failsafe or not.
9. **RANGE**: Used to set up three analysis ranges that can be switched automatically with auto-ranging or used as individual fixed ranges.
10. **CONTRAST**: The contrast function is disabled in this version.
11. **STANDBY**: Remove power to outputs and displays, but maintain power to internal circuitry.

Any function can be selected at any time. Just scroll through the MAIN MENU with the DOWN/UP control to the appropriate function, and ENTER it. The analyzer will immediately start that function, unless password restrictions have been assigned. (Password assignment is explained further on.)

All of these functions are described in greater detail in the procedures starting in section 4.3. The VFD screen texts used to illustrate the procedures are reproduced in the **Arial Narrow Bold** type style.

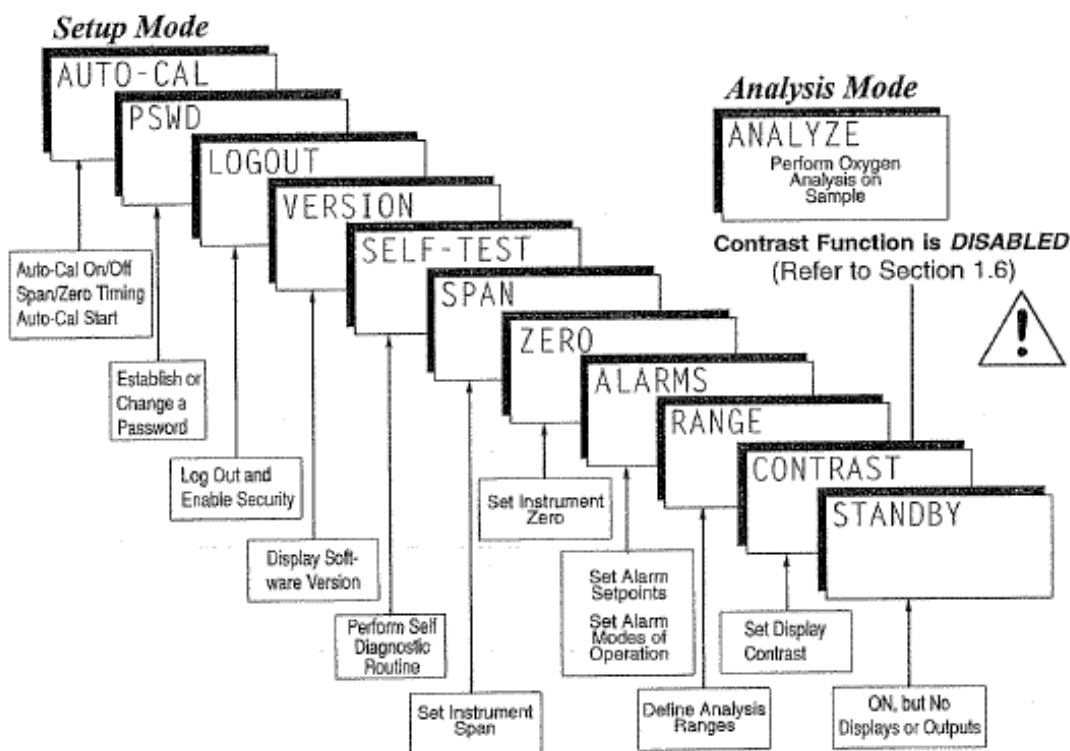


Figure 4-1: Modes and Functions

## 4.2.2 Data Entry

### 4.2.2.1 ENTER

When the selected option is a function on the Main Menu screen, the function name appears between the arrows on the screen. You activate the function by turning the ESCAPE/ENTER control to ENTER.

When the selected option is a **function or subfunction**, ENTER moves the display to the VFD screen for that function or subfunction.

When the selected option is a **modifiable item**, the DOWN/UP control can be used to increment or decrement that modifiable item to the value or action you want. Then you ENTER the item, which also puts you into the next field to continue programming.

When the last field is entered, ENTER takes you to the next screen in the process, or if the process is completed, ENTER takes you back to the ANALYZE screen.

### 4.2.2.2 ESCAPE

A turn-and-release toward ESCAPE moves the blinking to the next field on the left. When you are on the leftmost field, another ESCAPE takes you back to the previous screen.

If you do not wish to continue a function, you can abort the session by escaping to the leftmost field, and then issuing another ESCAPE. Escaping a function takes the analyzer back to the previous screen, or to the ANALYZE Function, depending on the function escaped.

## 4.3 The AUTO-CAL Function

When proper automatic valving is connected (see chapter 3, *installation*), the Analyzer can cycle itself through a sequence of steps that automatically zero and span the instrument.

*Note: If you require highly accurate timing of your **AUTO-CAL**, use external **AUTO-CAL** control where possible. The internal clock in the Model 3020T is accurate to 2-3 %. Accordingly, internally scheduled calibrations can vary 2-3 % per day.*

To setup an AUTO-CAL cycle:

Scroll to AUTO-CAL, and ENTER. A new screen for Span/Zero set appears.

**Span OFF Nxt: 0d 0h**  
**Zero OFF Nxt: 0d 0h**

If SPAN (or ZERO) is not flashing, scroll with DOWN/UP control to SPAN (or ZERO), then ENTER. (*You won't be able to set OFF to ON if a zero interval is entered.*) A Span Every ... (or Zero Every ...) screen appears.

**Span Every 0 d**  
**Start 0 h from now**

Use DOWN/UP control to set an interval value, and ENTER. Then use DOWN/UP to set a start-time value, and ENTER.

**Span OFF Nxt: 0d 0h**  
**Zero OFF Nxt: 0d 0h**

When the Span/Zero values screen appears, use the scroll DOWN to blink the OFF/ON field of the SPAN (or ZERO) function. Use

DOWN/UP to set the OFF/ON field to ON. *You can now turn these fields ON because there is a nonzero span interval defined.*

## 4.4 The PWD (Password) Function

Security can be established by choosing a 5 digit password from the standard ASCII character set. If you decide NOT to employ password security, use the default password TETAI. This password will be displayed automatically by the microprocessor. The operator just ENTERs it to be allowed total access to the instrument's features.

Once a unique password is assigned and activated, the operator MUST enter the UNIQUE password to gain access to any of the set-up functions (except to enter the **password**). However, the instrument will continue to analyze sample gas and report on alarm conditions without entering the password.

Only one password can be defined.

After a password is assigned, the operator must log out to activate it. Until then, anyone can continue to operate the instrument without entering the new password.

To defeat the security after a unique password is activated, the password must be changed back to **TETAI**.

*Note: If you use password security, it is advisable to keep a copy of the password in a separate, safe location.*

### 4.4.1 Entering the Password

To install a new password or change a previously installed password, you must key in and enter the old password first. If the default password is in effect, issuing the ENTER command will enter the default **TETAI** password for you.

Scroll to **PWD**, and ENTER to select the password function. Either the **TETAI** default password or **AAAAA** place-holder password for an existing password will appear on screen depending on whether or not a password has been previously installed.

T E T A I  
Enter PWD

or

**A A A A A**  
**Enter PWD**

The screen prompts you to enter the current password. If you are not using password protection, ENTER to accept **TETAI** as the default password. If a password has been previously installed, enter the password using ENTER to scroll through the letters, and the DOWN/UP switch to change the letters to the proper password. The last ENTER enters the password.

If the password is accepted, the screen will indicate that the password restrictions have been removed and you have clearance to proceed.

**PWD Restrictions**  
**Removed**

In a few seconds, if you do not ESCAPE, you will be given the opportunity to change this password or keep it and go on.

**Change Password?**  
**<ENT>=Yes <ESC>=No**

ESCAPE to move on, or proceed as in *Changing the Password*, below.

#### ***4.4.2 Installing or Changing the Password***

If you want to change the existing password: Proceed as above in *Entering the Password*, until you are given the opportunity to change the password:

**Change Password?**  
**<ENT>=Yes <ESC>=No**

ENTER to change the password (to change either the default TETAI or the previously assigned password), or ESCAPE to keep the existing password and move on.

If you choose ENTER to change the password, the password assignment screen appears.

**T E T A I**  
**<ENT> To Proceed**

or



**A A A A A**  
**<ENT> To Proceed**

Enter the password using ENTER to scroll through the existing password letters, and DOWN/UP to change the letters to the new password. The full set of 94 characters available for password use are shown in the table below.

**Characters Available for Password Definition:**

A	B	C	D	E	F	G	H	I	J
K	L	M	N	O	P	Q	R	S	T
U	V	W	X	Y	Z	[	¥	]	^
_	`	a	b	c	d	e	f	g	h
i	j	k	l	m	n	o	p	q	r
s	t	u	v	w	x	y	z	{	
}	→	!	"	#	\$	%	&	'	(
)	*	+	'	-	.	/	0	1	2
3	4	5	6	7	8	9	:	;	<
=	>	?	@						

When you have finished typing the new password, the last ENTER enters it. A verification screen appears. The screen will prompt you to retype your password for verification.

**A A A A A**  
**Retype PWD To Verify**

Wait a moment for the entry (<ENT>) screen. You will be given clearance to proceed.

**A A A A A**  
**<ENT> TO Proceed**

ENTER the letters of your new password. Your password will be stored in the microprocessor and the system will immediately switch to the ANALYZE screen, and you now have access to all instrument functions.

If all alarms are defeated, the ANALYZE screen appears as:

**0.0 % Anlz**  
**Range: 0 — 100**

If an alarm is tripped, the second line will change to show which alarm it is:

**0.0 % Anlz**  
**AL—1**

*Note: If you log off the system using the **LOGOUT** function in the **MAIN MENU**, you will now be required to re-enter the password to gain access to any of the functions except password (PWD).*

## 4.5 The LOGOUT Function

By entering LOGOUT, you effectively log off the instrument, leaving the system protected against tampering until the password is reentered. To log out, scroll to place the LOGOUT function between the arrows, and ENTER to log out. The screen will display the message:

**Protected Until  
Password Reentered**

## 4.6 The VERSION Screen

Scroll through the MAIN MENU to **VERSION**, and ENTER. The screen displays the manufacturer, model, and software version information.

## 4.7 The SELF-TEST Function

The Model 3020T has a built-in self-testing diagnostic routine. Preprogrammed signals are sent through the power supply, output board and sensor circuit. The return signal is analyzed, and at the end of the test the status of each function is displayed on the screen, either as **OK** or as a number between 1 and 3. (See *System Self Diagnostic Test* in chapter 5 for number code.)

The self diagnostics are run automatically by the analyzer whenever the instrument is turned on, but the test can also be run by the operator at will. To initiate **SELF-TEST** during operation:

Use the DOWN/UP control to scroll through the MAIN MENU to **SELF-TEST**. The screen will follow the running of the diagnostic.

**RUNNING DIAGNOSTIC  
Testing Preamp — 83**

During preamp testing there is a countdown in the lower right corner of the screen. When the testing is complete, the results are displayed.

Power: OK Analog: OK  
Preamp: 3

The module is functioning properly if it is followed by **OK**. A number indicates a problem in a specific area of the instrument. Refer to Chapter 5 *Maintenance* for number-code information. The results screen alternates for a time with:

Press Any Key  
To Continue...

Then the analyzer returns to the ANALYZE screen.

## 4.8 The Zero and Span Functions

*Note: Zeroing is not required in order to achieve the published accuracy specification of this unit.*

*Zeroing will eliminate offset error contributed by sensor, electronics, and internal and external sampling system and improve performance beyond published specification limits.*

The analyzer is calibrated using zero and span gases.

Any suitable oxygen-free gas can be used for zero gas as long as it is known to be oxygen free and does not react adversely with the sample system.

Although the instrument can be spanned using air, a span gas with a known oxygen concentration in the range of 70–90% of full scale of the range of interest is recommended. Since the oxygen concentration in air is 20.9% (209,000 ppm), the cell can take a long time to recover if the instrument is used for trace oxygen analysis immediately following calibration in air.

Connect the calibration gases according to the instructions given in Section 3.4.1, *Gas Connections*, observing all the prescribed precautions.

**Shut off the gas pressure before connecting it to the analyzer, and be sure to limit the pressure to 25 psig or less when turning it back on.**



Readjust the gas pressure into the analyzer until the flowrate (as read on the analyzer's SLPM flowmeter) settles between 0.15 and 2.4 SLPM (approximately 0.2 - 5 SCFH).

If you are using password protection, you will need to enter your password to gain access to either of these functions. Follow the instructions in Sections 4.3.3 to enter your password. Once you have gained clearance to proceed, you can enter the *Zero* or *Span* function.

#### 4.8.1 Zero Cal

The **Zero** button on the front panel is used to enter the zero calibration function. Zero calibration can be performed in either the automatic or manual mode. In the **automatic** mode, an internal algorithm compares consecutive readings from the sensor to determine when the output is within the acceptable range for zero. In the **manual** mode, the operator determines when the reading is within the acceptable range for zero. Make sure the zero gas is connected to the instrument. If you get a CELL FAILURE message skip to Section 4.8.1.3.

##### 4.8.1.1 AUTO MODE ZEROING

Press **Zero** to enter the zero function mode. The screen allows you to select whether the zero calibration is to be performed automatically or manually. Use the UP/DOWN switch to toggle between **AUTO** and **MAN** zero settling. Stop when **AUTO** appears, blinking, on the display.

**Zero: Settling: AUTO**

**<ENT> To Begin**

Select *Enter* to begin zeroing.

**#### PPM Zero**

**Slope=#### ppm/s**

The beginning zero level is shown in the upper left corner of the display. As the zero reading settles, the screen displays and updates information on **Slope** (unless the Slope starts within the acceptable zero range and does not need to settle further).

Then, and whenever Slope is less than 0.08 for at least 3 minutes, instead of Slope you will see a countdown: **5 Left**, **4 Left**, and so forth. These are five steps in the zeroing process that the system must complete, AFTER settling, before it can go back to *Analyze*.

```
#### PPM Zero
1 Left=### ppm/s
```

The zeroing process will automatically conclude when the output is within the acceptable range for a good zero. Then the analyzer automatically returns to the *Analyze* mode.

#### 4.8.1.2 MANUAL MODE ZEROING

Press **Zero** to enter the **Zero** function. The screen that appears allows you to select between automatic or manual zero calibration. Use the **▲/▼** keys to toggle between **AUTO** and **MAN** zero settling. Stop when **MAN** appears, blinking, on the display.

```
Zero: Settling: Man
<ENT> To Begin
```

Select **Enter** to begin the zero calibration. After a few seconds the first of five zeroing screens appears. The number in the upper left hand corner is the first-stage zero offset. The microprocessor samples the output at a predetermined rate. It calculates the differences between successive samplings and displays the rate of change as **Slope=** a value in parts per million per second (ppm/s).

```
#### ppm Zero
Slope=#### ppm/s
```

*Note: It takes several seconds for the true Slope value to display. Wait about 10 seconds. Then, wait until Slope is sufficiently close to zero before pressing Enter to finish zeroing.*

Generally, you have a good zero when **Slope** is less than 0.05 ppm/s for about 30 seconds. When **Slope** is close enough to zero, select **Enter**. In a few seconds, the screen will update.

Once span settling completes, the information is stored in the microprocessor, and the instrument automatically returns to the **Analyze** mode.

Connect the calibration gases to the analyzer according to the instructions given in section 3.5, *Gas Connections*, observing all the prescribed precautions.

**Shut off the gas pressure before connecting it to the analyzer, and be sure to limit the pressure to 25 psig or less when turning it back on.**

Readjust the gas pressure into the analyzer until the flowrate (as read on the analyzer's SLPM flowmeter) settles between 0.5 and 2.4 SLPM (approximately 1-5 scfh).

If you are using password protection, you will need to enter your password to gain access to either of these functions. Follow the instructions in section 4.4 to enter your password. Once you have gained clearance to proceed, you can ENTER the **ZERO** or **SPAN** function.

#### 4.8.1.3 CELL FAILURE

Cell failure in the 3020T is usually associated with inability to zero the instrument down to a satisfactorily low ppm reading. When this occurs, the 3020T system alarm trips, and the LCD displays a failure message.

## ppm Anlz

CELL FAIL/ ZERO HIGH

Before replacing the cell:

- Check for leaks downstream from the cell, where oxygen may be leaking into the system.
- Check your span gas to make sure it is within specifications.

If there are no leaks and the span gas is OK, replace the cell as described in Chapter 5, *Maintenance*

After correcting the condition, reset the Cell Fail alarm by placing the analyzer into, and then back out of, STANDBY.

The “good” reading depends on the sensor your analyzer is using as well as the **known** oxygen concentration.

### 4.8.2 Span Cal

SPAN is used to span calibrate the analyzer. Span calibration can be performed using the **automatic** mode, where an internal algorithm compares consecutive readings from the sensor to determine when the output matches the span gas concentration. Span calibration can also be performed in **manual** mode, where the operator determines when the span concentration reading is acceptable and manually exits the function.

#### 4.8.2.1 AUTO MODE SPANNING

Scroll to **SPAN**, and ENTER the SPAN function. The screen that appears allows you to select whether the span calibration is to be performed automatically or manually. Use the DOWN/UP switch to toggle between **AUTO** and **MAN** span settling. Stop when **AUTO** appears on the display.

```
Span: Settling: AUTO
<ENT> For Next
```

Use ENTER to move to the next screen.

```
Span Val: 209000.00
<ENT>Span <UP>Mod #
```

Use DOWN/UP to start changing the oxygen-concentration. Use ESCAPE/ENTER to blink the digit you are going to modify. Use DOWN/UP again to change the value of the selected digit. When you have finished typing in the concentration of the span gas you are using, repeatedly select ENTER until the rightmost digit is reached, then, the next ENTER will exit the Span Val screen. One more ENTER will enter the new span value, bring up the next screen, and start the span calibration.

```
#### ppm Span
Slope=#### ppm/s
```



The beginning span value is shown in the upper left corner of the display. As the span reading settles, the screen displays and updates information on Slope. Spanning automatically ends when the span output corresponds, within tolerance, to the value of the span gas concentration. Then the instrument automatically returns to the ANALYZE mode.

#### 4.8.2.2 MANUAL MODE SPANNING

ENTER SPAN from the MAIN MENU to start the SPAN function. The screen that appears allows you to select whether the span calibration is to be performed automatically or manually.

**Span: Settling:MAN**  
**<ENT> For Next**

Use DOWN/UP to toggle between **AUTO** and **MAN** span settling. Stop when MAN appears on the display. Use ENTER to move to the next screen.

**Span Val: 209000.00**  
**<ENT>Span <UP>Mod #**

Use UP to permit modification (**Mod #**) of span value.

Use ESCAPE/ENTER to choose the digit, and use DOWN/UP to choose the value of the digit.

When you have finished typing in the concentration of the span gas you are using, repeatedly select ENTER until the rightmost digit is reached, then, the next ENTER will exit the Span Val field. One more ENTER will enter the new span value, bring up the next screen, and start the span calibration.

Once the span has begun, the microprocessor samples the output at a predetermined rate. It calculates the difference between successive samplings and displays this difference as Slope on the screen. It takes several seconds for the first Slope value to display. Slope indicates rate of change of the Span reading. It is a sensitive indicator of stability.

**#### ppm Span**  
**Slope=#### ppm/s**

When the Span value displayed on the screen is sufficiently stable, ENTER it. (Generally, when the Span reading changes by 1 % or less of the full scale of the range being calibrated for a period of ten minutes it is sufficiently stable.) Once you ENTER it, the **Span** reading changes to



the correct value. The instrument then **automatically** enters the ANALYZE function.

## 4.9 The ALARMS Function

The Model 3020T is equipped with 2 fully adjustable concentration alarms and a system failure alarm. Each alarm has a relay with a set of form "C" contacts rated for 3 amperes resistive load at 250 V ac. See Figure in Chapter 3, *Installation* and/or the Interconnection Diagram included at the back of this manual for relay terminal connections.

The system failure alarm has a fixed configuration described in chapter 3 *Installation*.

The concentration alarms can be configured from the front panel as either *high* or *low* alarms by the operator. The alarm modes can be set as *latching* or *non-latching*, and either *failsafe* or *non-failsafe*, or, they can be *defeated* altogether. The set points for the alarms are also established using this function.

Decide how your alarms should be configured. The choice will depend upon your process. Consider the following four points:

1. Which if any of the alarms are to be high alarms, and which if any are to be low alarms?

Setting an alarm as HIGH triggers the alarm when the oxygen concentration rises above the set point. Setting an alarm as LOW triggers the alarm when the oxygen concentration falls below the set point.

Decide whether you want the alarms to be set as:

- Both high (high and high-high) alarms, or
  - One high and one low alarm, or
  - Both low (low and low-low) alarms.
2. Are either or both of the alarms to be configured as failsafe?

In failsafe mode, the alarm relay de-energizes in an alarm condition. For non-failsafe operation, the relay is energized in an alarm condition. You can set either or both of the concentration alarms to operate in failsafe or non-failsafe mode.

3. Are either of the alarms to be latching?

In latching mode, once the alarm or alarms trigger, they will remain in the alarm mode even if process conditions revert back to non-alarm conditions. This mode requires an alarm to be recognized before it can be reset. In the non-latching mode, the alarm status will terminate when process conditions revert to non-alarm conditions.

4. Are either of the alarms to be defeated?

The defeat alarm mode is incorporated into the alarm circuit so that maintenance can be performed under conditions which would normally activate the alarms.

The defeat function can also be used to reset a latched alarm. (See procedures, below.)

If you are using password protection, you will need to enter your password to access the alarm functions. Follow the instructions in Section 4.4 to enter your password. Once you have clearance to proceed, ENTER the ALARM function.

AL-1 AL-2  
Choose Alarm

Use the DOWN/UP control to blink your choice of alarm, **AL-1** or **AL-2**. Then ENTER to move to the next screen.

AL-1 1000 ppm HI  
Dft-N Fs-N Ltch-N

Five parameters can be changed on this screen.

1. Value of the alarm setpoint: **AL-1 #####** ppm (oxygen)
2. Out-of-range direction: **HI** or **LO**
3. Defeated? (Yes/No): **Dft-Y/N**
4. Failsafe? (Yes/No): **Fs-Y/N**
5. Latching? (Yes/No): **Ltch-Y/N**.

To define the setpoint, use ENTER to blink **AL-1 #####**, if not already blinking. Then use the DOWN/UP control to change the number. Holding the control on the DOWN or UP position, while the number

changes, speeds up the incrementing or decrementing. (Remember, the set point units are always ppm O<sub>2</sub>.)

To set the other parameters use ENTER to blink the desired parameter. Then use DOWN/UP to change the parameter.

Once the parameters for the alarm have been set, ENTER the ALARM function again, and repeat this procedure for next alarm.

To reset a latched alarm:

- Go to **Dft-** and then assert either DOWN two times or UP two times. (Toggle it to **Y** and then back to **N**.)
- OR –
- Go to **Ltch-** and then assert either DOWN two times or UP two times. (Toggle it to **N** and back to **Y**.)

*Note: In this screen, ENTER moves you through the fields and ESCAPE takes you back to the previous screen.*

## 4.10 The RANGE Function

The RANGE function allows the operator to program up to three concentration ranges to correlate with the DC analog outputs. If no ranges are defined by the user, the instrument defaults to:

Low = 0–100 ppm  
Med = 0–1,000 ppm  
High = 0–10,000 ppm.

The Model 3020T is set at the factory to default to auto-ranging. In this mode, the microprocessor automatically responds to concentration changes by switching ranges for optimum readout sensitivity. If the current range limits are exceeded, the instrument will automatically shift to the next higher range. If the sample concentration falls below the full scale of the next lower range, the instrument will switch to that range. A corresponding shift in the DC percent-of-range output, and in the range ID outputs, will be noticed.

The auto-ranging feature can be overridden so that analog output stays on a fixed range regardless of the oxygen concentration detected. If the concentration exceeds the upper limit of the range, the DC output will saturate at 1 VDC (20 mA at the optional current output).

However, the digital readout and the RS-232 output of the concentration are unaffected by the fixed range. They continue to read accurately with full precision. See *Front Panel* description in Chapter 1.

The automatic air calibration range is always 0-25 % and is not programmable.

#### **4.10.1 Setting the Analog Output Ranges**

To set the ranges, ENTER the RANGE function mode by selecting **RANGE** from the MAIN MENU. The RANGE screen appears.

L—100 M—1000  
H—10000 Mode—AUTO

Use the DOWN/UP control to the range to be set: low (**L**), medium (**M**), or high (**H**).

Use the DOWN/UP switch to enter the upper value of the range (all ranges begin at 0 ppm). Repeat for each range you want to set. ENTER to accept the values and return to the *Analysis Mode*. (See note below.)

*Note: The ranges must be increasing from low to high, for example, if range 1 is set as 0–100 ppm and range 2 is set as 0–1000 ppm, range 3 cannot be set as 0–500 ppm since it is lower than range 2.*

#### **4.10.2 Automatic Ranging**

After defining your analysis ranges, set Mode– to AUTO, if not already there. ESCAPE to re-enter the ANALYZE screen using the fixed range.

#### **4.10.3 Fixed Range Analysis**

The auto-ranging mode of the instrument can be overridden, forcing the analyzer DC outputs to stay in a single predetermined range.

To switch from auto-ranging to fixed range analysis, ENTER the RANGE function by selecting **RANGE** from the MAIN MENU.

Use the DOWN/UP switch to move AUTO between the arrows.

Use the DOWN/UP switch to switch from AUTO to FX/LO, FX/MED, or FX/HI to set the instrument on the desired fixed range (low, medium, or high).

L—100 M—1000  
H—10000 Mode—FX/LO

or

L—100 M—10000  
H—10000 Mode—FX/MED

or

L—100 M—10000  
H—10000 Mode—FX/HI

ESCAPE to re-enter the ANALYZE screen using the fixed range.

*Note: When performing analysis on a fixed range, if the oxygen concentration rises above the upper limit, as established by the setup, for that particular range, the output saturates at 1 VDC (20 mA at optional mA dc output). However, the digital readout and the RS-232 output continue to read the true value of the oxygen concentration regardless of the analog output range.*

#### 4.11 The CONTRAST Function

The contrast function is not available in this model.

#### 4.12 The STANDBY Function

In STANDBY, the analyzer's internal circuits are powered, but there are no displays or outputs from the analyzer.

**WARNING:** *THE POWER CABLE MUST BE UNPLUGGED TO FULLY DISCONNECT POWER FROM THE INSTRUMENT. WHEN THE ACCESS DOOR IS OPEN AND THE POWER CABLE IS CONNECTED, EXTRA CARE IS REQUIRED TO AVOID CONTACT WITH LIVE ELECTRICAL CIRCUITS.*



**CAUTION:** *If you disconnect the primary power source from the analyzer, then on re-energizing, you will be required to choose to keep the configuration you previously programmed into your instrument in the Setup Mode by pressing the "Enter" key, or by pressing the "Escape" key to reset to factory defaults. Of you press neither key, the instrument*



***will time out and take your previous configuration.***

### **4.13 The Analysis Mode**

This is the normal operating mode of the analyzer. In this mode the analyzer is monitoring the sample, measuring and displaying the amount of oxygen, and reporting alarm conditions.

Normally, the Version, Self-Test, Sensor, Main Menu, and the Span and Zero (in auto-settling mode) functions automatically switch back to the ***Analysis Mode*** ANALYZE screen when they have completed their assigned operations. After four or five seconds in the MAIN MENU without any action by the operator, the analyzer automatically switches itself back to the ANALYZE screen. ESCAPE, asserted one or more times, depending on the starting point, also switches the analyzer back to the ANALYZE screen.

**Blank Page**

## Maintenance

---

### 5.1 Routine Maintenance

Aside from normal cleaning and checking for leaks at the gas connections, routine maintenance is limited to replacing fuses, and recalibration. For recalibration, see Section 4.4 *The Zero and Span Functions*.

**SEE WARNINGS ON TITLE PAGE OF THIS MANUAL.**

### 5.2 Major Internal Components

**WARNING: DO NOT OPEN THE COVER WHEN AN EXPLOSIVE ATMOSPHERE IS PRESENT.**



All internal components are accessed by unbolting and swinging open the front cover, as described earlier. The major internal component locations are shown in Figure 3-1, the cell block is illustrated in Figure 3-2, and the fuse receptacle is shown in Figure 3-3.

The 3020T contains the following major internal components:

- Sensor
- Cell block
- Customer Interface PCB (Power Supply on bottom surface)
- Preamp PCB (Contains Microprocessor)
- Front Panel PCB (Contains Displays)
  - 5 digit LED meter
  - 2 line, 20 character, alphanumeric, VFD display
- Solenoid Operated Gas Control Valves (–C option only).

**See the drawings in the Drawings section in back of this manual for details.**



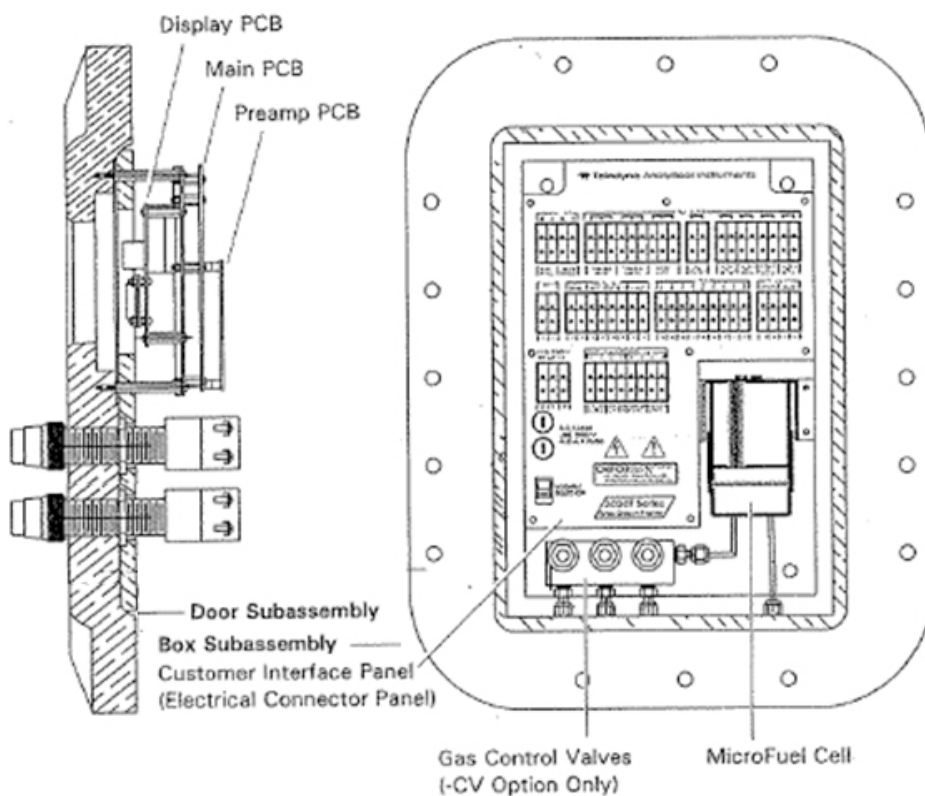


Figure 5-1: Major Internal Components

To swing open the cover panel, remove all screws.

### 5.3 Cell Replacement

The Micro-Fuel Cell is a sealed electrochemical transducer with no electrolyte to change or electrodes to clean. When the cell reaches the end of its useful life, it is replaced. The spent fuel cell should be discarded according to local regulations. This section describes fuel cell care as well as when and how to replace it.

#### 5.3.1 Storing and Handling Replacement Cells

To have a replacement cell available when it is needed, it is recommended that one spare cell be purchased 9-10 months after commissioning the 3020T, or shortly before the end of the cell's one year warranty period.

**CAUTION: DO NOT STOCKPILE CELLS. THE WARRANTY PERIOD STARTS ON THE DAY OF SHIPMENT.**



The spare cell should be carefully stored in an area that is not subject to large variations in ambient temperature (75°F nominal, 24°C) or to rough handling.

**WARNING:** *The sensor used in the model 3020T Trace Oxygen Analyzer uses electrolytes which contain toxic substances, mainly Lead and potassium hydroxide, that can be harmful if touched, swallowed, or Inhaled. Avoid contact with any fluid or powder in or around the unit. What may appear to be plain water could contain one of these toxic substances. In case of eye contact, immediately flush eyes with water for at least 15 minutes. Call physician. (See appendix, Material Safety Data Sheet.)*



**CAUTION: DO NOT DISTURB THE INTEGRITY OF THE CELL PACKAGE UNTIL THE CELL IS TO ACTUALLY BE USED. IF THE CELL PACKAGE IS PUNCTURED AND AIR IS PERMITTED TO ENTER, THE CELL WILL REQUIRE AN EXCESSIVELY LONG TIME TO REACH ZERO AFTER INSTALLATION (1-2 WEEKS!).**



### ***5.3.2 When to Replace a Cell***

The characteristics of the Micro-Fuel Cell show an almost constant output throughout its useful life and then fall off sharply towards zero at the end. Cell failure in the 3020T is usually characterized inability to zero the instrument down to a satisfactorily low ppm reading. When this occurs, the 3020T system alarm trips, and the LCD displays a failure message.

## ppm Anlz  
CELL FAIL/ ZERO HIGH

Before replacing the cell:

- a) Check your span gas to make sure it is within specifications.

- b) Check for leaks downstream from the cell, where oxygen may be leaking into the system.

If there are no leaks and the span gas is OK, replace the cell.

### ***5.3.3 Removing the Micro-Fuel Cell***

The Micro-Fuel cell is located inside the cell block behind the front panel (see Figure 5-1). To remove an existing cell:

1. Remove power to the instrument by unplugging the power cord at the power source.
2. Open the front panel door by pressing the release button on the top right corner of the door all the way in with a narrow gauge tool, such as a small screwdriver, and releasing it.
3. Leave the cell block installed. With one hand placed underneath the cell block ready to catch the Micro-Fuel cell, lift up on the gate in front of the cell block. This releases the cell and cell holder from the block. The cell and holder will fall out in your hand.

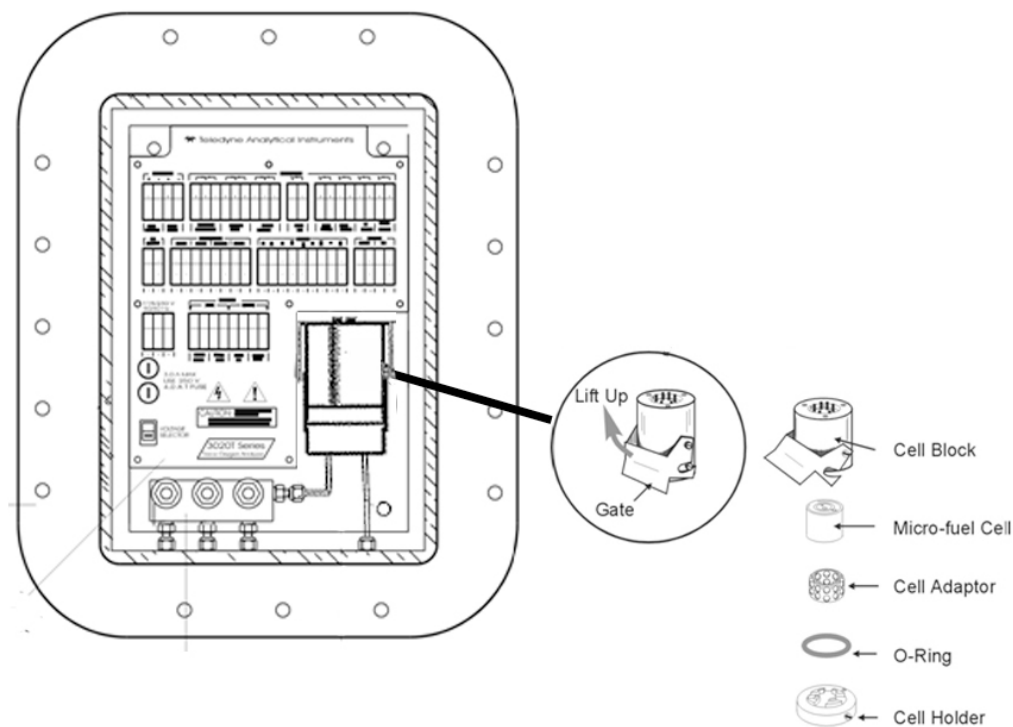


Figure 5-2: Sensor Replacement

### 5.3.4 Installing a New Micro-Fuel Cell

It is important to minimize the amount of time that a Teledyne Trace Oxygen Sensor is exposed to air during the installation process. The quicker the sensor can be installed into the unit, the faster your TAI O<sub>2</sub> sensor will recover to low O<sub>2</sub> measurement levels.

**CAUTION:** **DO NOT TOUCH THE SENSING SURFACE OF THE CELL. IT IS COVERED WITH A DELICATE TEFLON MEMBRANE THAT CAN LEAK WHEN PUNCTURED. THE SENSOR MUST BE REPLACED IF THE MEMBRANE IS DAMAGED.**



Before installing a new cell, check the O-ring in the base of the cell holder. Replace if worn or damaged.

Place the cell on the holder with the screen side facing down.

*Note: There is a small location hole drilled in the holder. This*

*hole mates with a guide pin on the bottom rear of the cell block. The hole in the cell block holder must align with the guide pin on the cell block.*

- Step 1. Remove power from instrument.
- Step 2. Remove the old sensor (if installed) from the analyzer.
- Step 3. Purge the analyzer at approximately 1 SCFH flow rate with N<sub>2</sub> (or applicable sample gas with the sensor holder removed).
- Step 4. Remove sensor from double bag storage.
- Step 5. Remove sensor shorting button.
- Step 6. Place sensor on sensor holder so that the gold contact plate of the sensor is facing up towards the sky.
- Step 7. Install sensor and sensor holder into cell block.
- Step 8. With O-ring in place, align the guide pin with the hole on the cell holder. Then, with the holder, lift cell into the cell block.
- Step 9. Push the gate on the cell block down so that the slots on the side of the gate engage the locating screws on the side of the block. This forces the holder into position and forms a gas-tight seal.
- Step 10. Purge system with sample or zero gas.
- Step 11. Power-up.

*Note: If steps 4 through 10 are accomplished quickly (elapsed time less than 15 seconds), recovery to less than 1ppm level should occur in less than 8 hours.*

### **5.3.5 Cell Warranty**

The Class L-2C Micro-Fuel cell is typically used in the Model 3020T. Other cell options are available. See page iii for the cell shipped with your analyzer.

The L-2C cell is a long life cell and is warranted for 1 year from the date of shipment. Note any Addenda attached to the front of this manual for special information applying to your instrument.

With regard to spare cells, warranty period begins on the date of shipment. The customer should purchase only one spare cell (per section 5.3.1). Do not attempt to stockpile spare cells.

The L-2 cell is not designed applications where CO<sub>2</sub> is a major component in the sample, however concentrations of 1,000 ppm or less will not adversely affect the cell performance. Consult the factory for available options for either intermittent or continuous CO<sub>2</sub> exposure.

If a cell was working satisfactorily, but ceases to function before the warranty period expires, the customer will receive credit toward the purchase of a new cell.

If you have a warranty claim, you must return the cell in question to the factory for evaluation. If it is determined that failure is due to faulty workmanship or material, the cell will be replaced at no cost to you.

*Note: Evidence of damage due to tampering or mishandling will render the cell warranty null and void.*

## 5.4 Fuse Replacement

**WARNING: Risk of electric shock high voltage exposed at the end of enclosure!**



The 3020T requires two 5 x 20 mm, 4 A, T type (Slow Blow) fuses. The fuses are located inside the explosion proof housing on the Electrical Connector Panel, as shown in Figure 5-2. To replace a fuse:

1. Disconnect the Unit from its power source.
2. Place a small screwdriver in the notch in the fuse holder cap, push in, and rotate 1/4 turn. The cap will pop out a few millimeters. Pull out the fuse holder cap and fuse, as shown in Figure 5-3.
3. Replace fuse by reversing process in step 1.

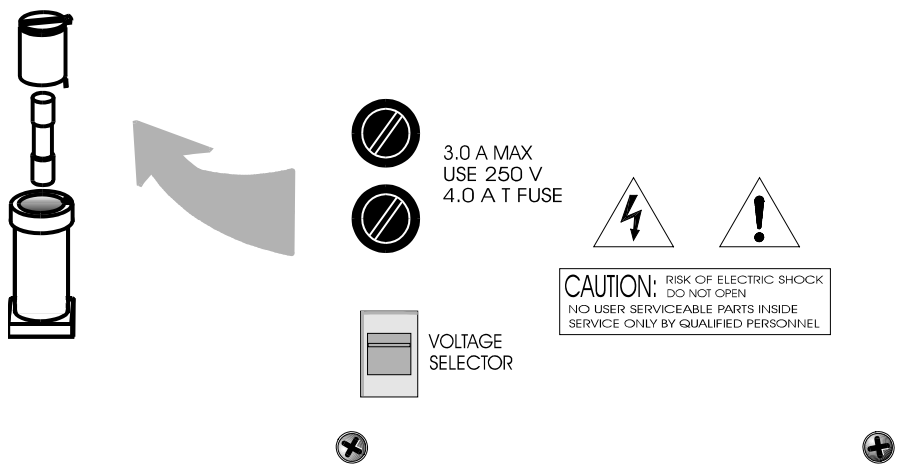


Figure 5-2: Removing Fuse Cap and Fuse from Holder

## 5.5 System Self Diagnostic Test

Use the DOWN/UP switch to scroll through the MAIN MENU to SELF-TEST. The screen will follow the running of the diagnostic.

**RUNNING DIAGNOSTIC**  
Testing Preamp — 83

During preamp testing there is a countdown in the lower right corner of the screen. When the testing is complete, the results are displayed.

**Power: OK Analog: OK**  
**Preamp: 3**

The module is functioning properly if it is followed by OK. A number indicates a problem in a specific area of the instrument. Refer to Table 5-1 for number-code information. The results screen alternates for a time with:

**Press Any Key**  
**To Continue...**

The following failure codes apply:

**Table 5-1: Self Test Failure Codes****Power**

0	OK
1	5 V Failure
2	15 V Failure
3	Both Failed

**Analog**

0	OK
1	DAC A (0–1 V Concentration)
2	DAC B (0–1 V Range ID)
3	Both Failed

**Preamp**

0	OK
1	Zero too high
2	Amplifier output doesn't match test input
3	Both Failed



**Blank Page**

## Appendix

---

### A-1 Specifications

**Packaging:** Explosion-proof. Bulkhead mount.

**Sensor:** L-2C, B2C, A2C, A5,XL, or Insta-Trace Micro-Fuel Cell.

**Cell Block:** Application dependent.

**Ranges:** Three user definable ranges from 0-100 ppm to 0-250,000 ppm, plus air calibration range of 0-250,000 (25%).

Auto ranging with range ID output.

**Sample System:** Flow indicator visible from front of unit.

Maximum flowrate: 2.6 SLPM

Positive pressure service.

Maximum inlet pressure: 25 psig

Auto Cal / Auto Zero. (Available with optional, electrically operated valves.)

**Alarms:** One system-failure alarm contact to detect power failure.

Two adjustable concentration threshold alarms with fully programmable set points.

**Diagnostics:** Start-up or on-demand self-testing function.

**Displays:** 2 line by 20 alphanumeric, VFD screen, and one 5 digit LED display.

**Digital Interface:** Full duplex RS-232 communications port.

**Power:** Universal power supply 115 or 230 V ac,  
at 50 or 60 Hz.

**Operating Temperature:** 0-45°C

**Accuracy:** ±2% of full scale at constant temperature.  
±5% of full scale over operating  
temperature range, on factory default  
analysis ranges, once thermal equilibrium  
has been achieved.

**Analog outputs:** 0-1 VDC percent-of-range  
0-1 VDC range ID.  
4-20 mA DC percent-of-range  
4-20 mA DC range ID.

**Password Access:** Can be user-configured for password  
protection.

**A-2 Recommended 2-Year Spare Parts List**

<b>QTY.</b>	<b>PART NUMBER</b>	<b>DESCRIPTION</b>
1	C62371B	Display PCB
1	D65295A	Customer Interface PCB
1	C62368-B	Percent Preamplifier Board
1*	C73870-A	Main PCB
1	A73957C	Standard 3020T programmed EPROM
3	F1295	Fuse, 4A, 250V, 5x20 mm, T (Slow Blow)
2	O38	O-ring
2	R3677	Restrictor 400SCCM at 20 psig

\* No EPROM is installed on the board. EPROM must be ordered separately.

*Note: Orders for replacement parts should include the part number (if available) and the model and serial number of the instrument for which the parts are intended.*

Orders should be sent to:

Teledyne Analytical Instruments  
16830 Chestnut Street  
City of Industry, CA 91748

Phone (626) 934-1500  
Fax (626) 961-2538  
Web: [www.teledyne-ai.com](http://www.teledyne-ai.com)

or your local representative.

**A-3 Drawing List**

C94974	Outline Drawing
D94399	Wiring Diagram
D94409	Interconnection Diagram
A95144	ATEX / IECEx Addendum



4

3

2

1

NOTES: UNLESS OTHERWISE SPECIFIED.

1. 1" NPT, AND 3/4" NPT REMOVEABLE BLANKING PLUGS THESE LOCATIONS CAN BE USED FOR USER WIRING

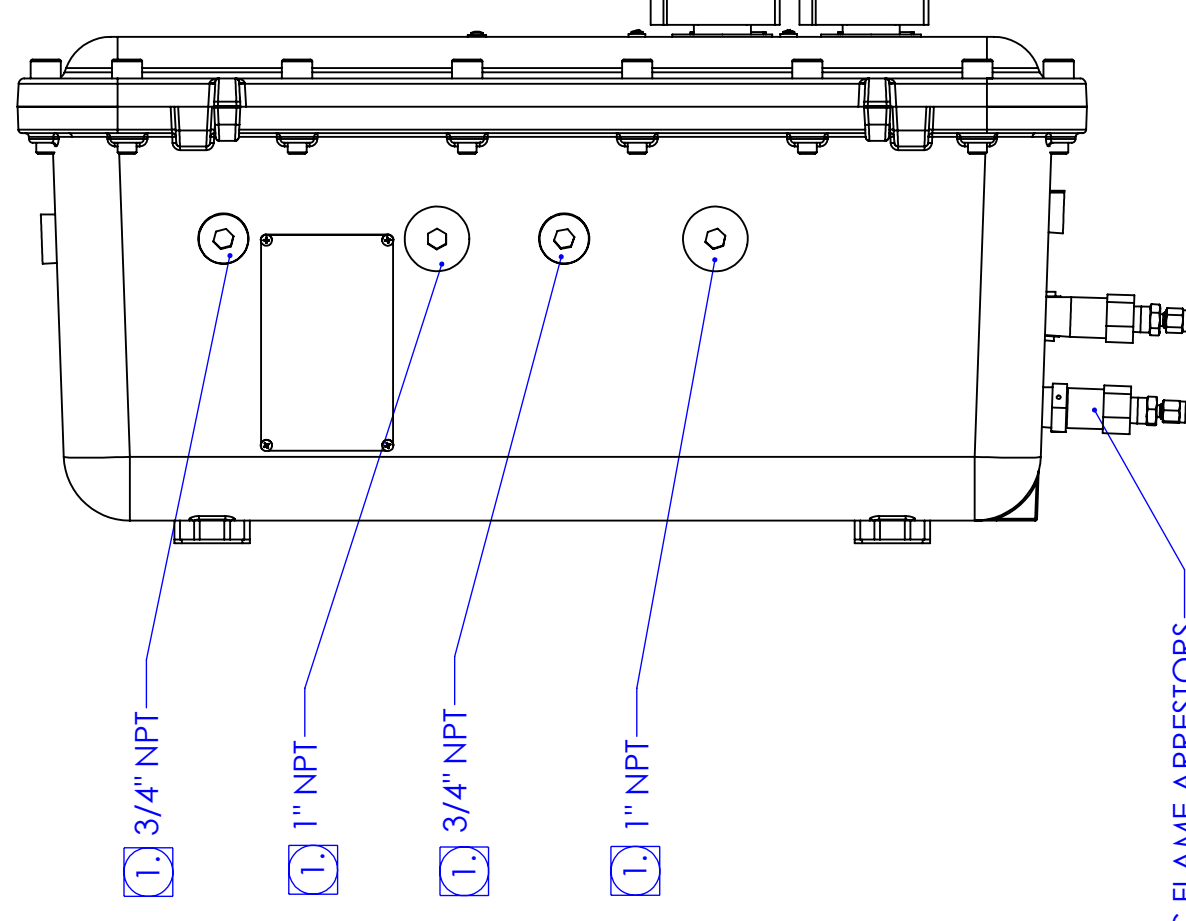
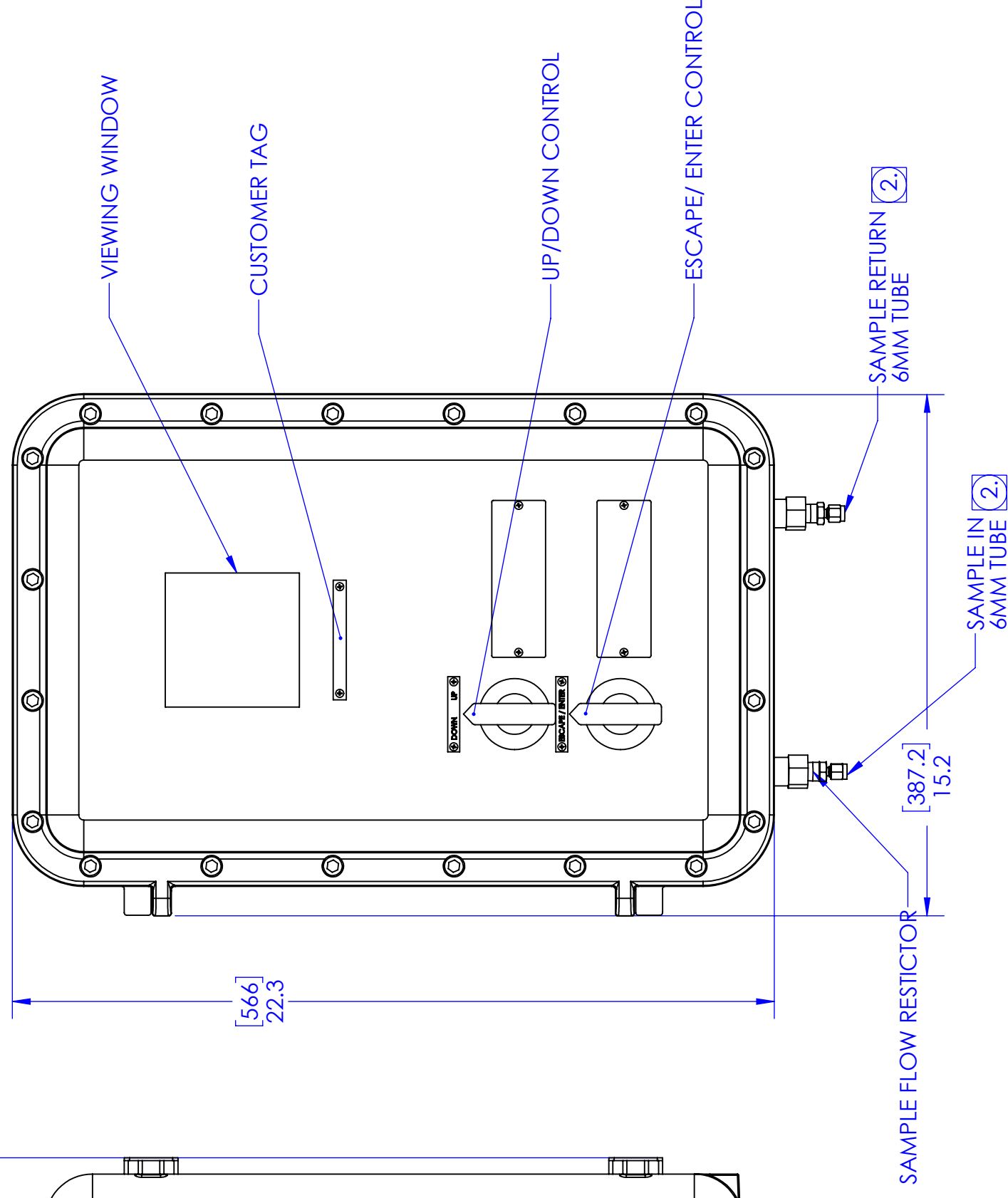
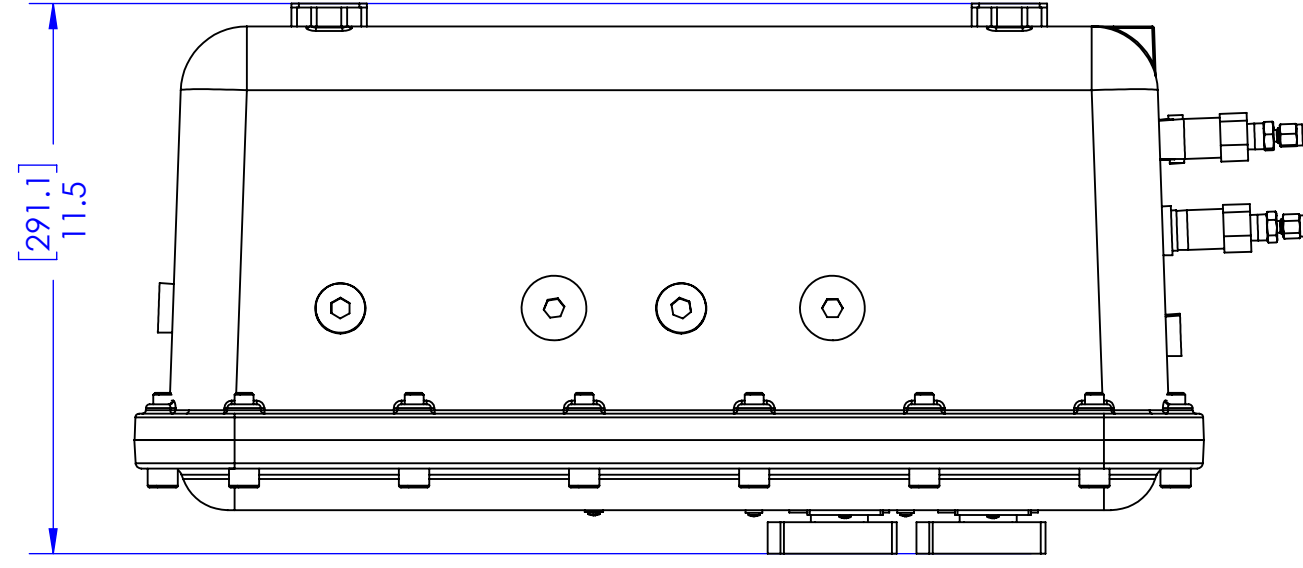
2. 6MM TUBE CONNECTIONS ARE STD. OTHER SIZES ARE AVAILABLE

3. APPROXIMATE WEIGHT 100LBS [43.5KG]

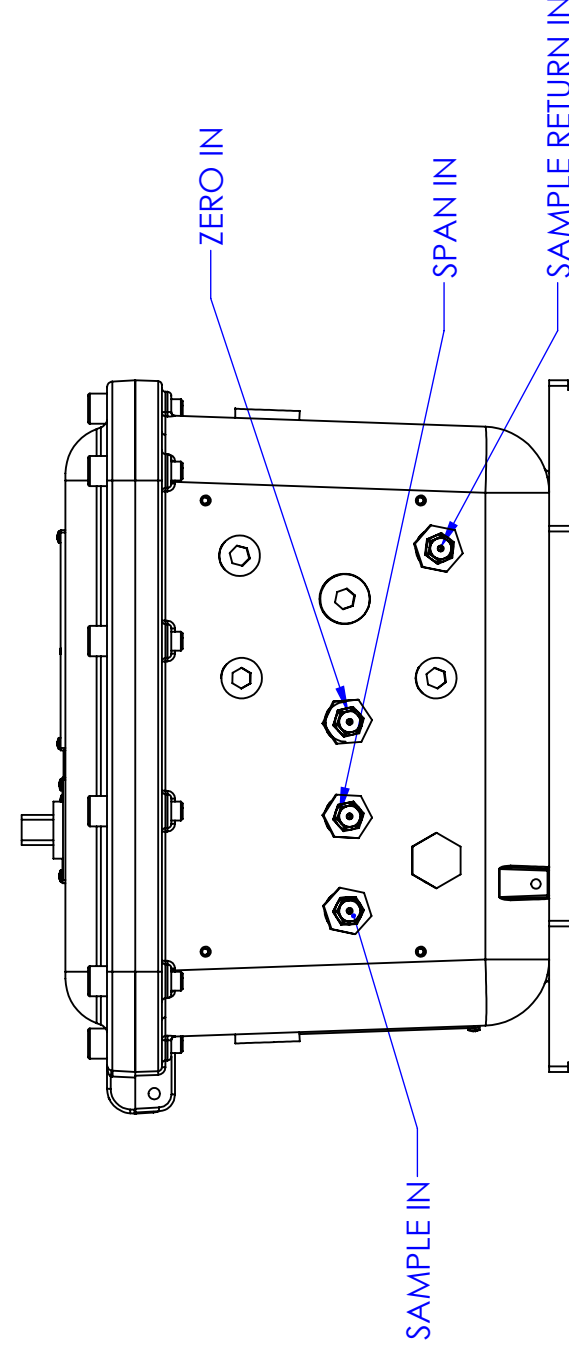
4. ALL DIM ARE IN INCHES [MM]

REVISION

REV	DESCRIPTION	DATE	APP	REV BY
0	INITIAL RELEASE	11/2/18	KFP	



IIC FLAME ARRESTORS



BOTTOM VIEW WITH OPTIONAL AUTO-CAL VALVES

D

C

B

A

4

3

2

1

DO NOT SCALE DRAWING		TOLERANCE UNLESS OTHERWISE SPECIFIED: ANGULAR ±1/2°	
LINEAR	{	X = ±0.1	
	.XX = ±0.02		
	.XXX = ±0.010		
SIGNATURES	DATE	TITLE	
DRFT: KFP	11/2/18	OUTLINE 3020 (ATEX)	
CHK:		SCALE 1:4	
APPR:		SIM	
ENGR: KFP		SHEET 1 OF 2	
S.O.		REV 0	
REFERENCE	CAD ID C94974-0	MATERIAL: NONE	
		DWG NO. C94974	

BILL OF MATERIALS

THIS DRAWING IS THE PROPERTY OF TELEDYNE ANALYTICAL INSTRUMENTS AND CONTAINS CONFIDENTIAL INFORMATION. IT IS NOT TO BE COPIED, REPRODUCED, OR USED WITHOUT WRITTEN PERMISSION.

**Teledyne Analytical Instruments**  
 A Teledyne Technologies Company  
 CITY OF INDUSTRY, CALIFORNIA 91748, USA





3020 WITH OPTIONAL AUTO-CAL VALVES AND GAS PANEL

REVISIONS  
SEE SHEET 1

D

4

3

2

1

D

C

4

3

2

1

C

B

4

3

2

1

B

A

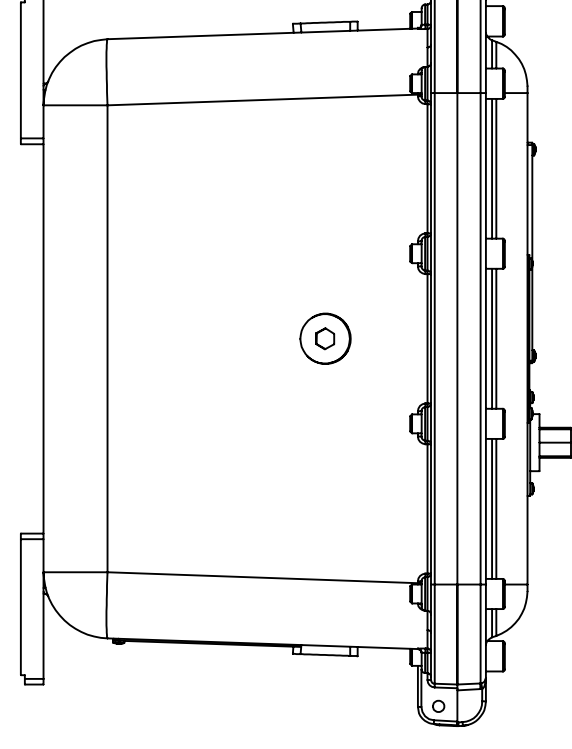
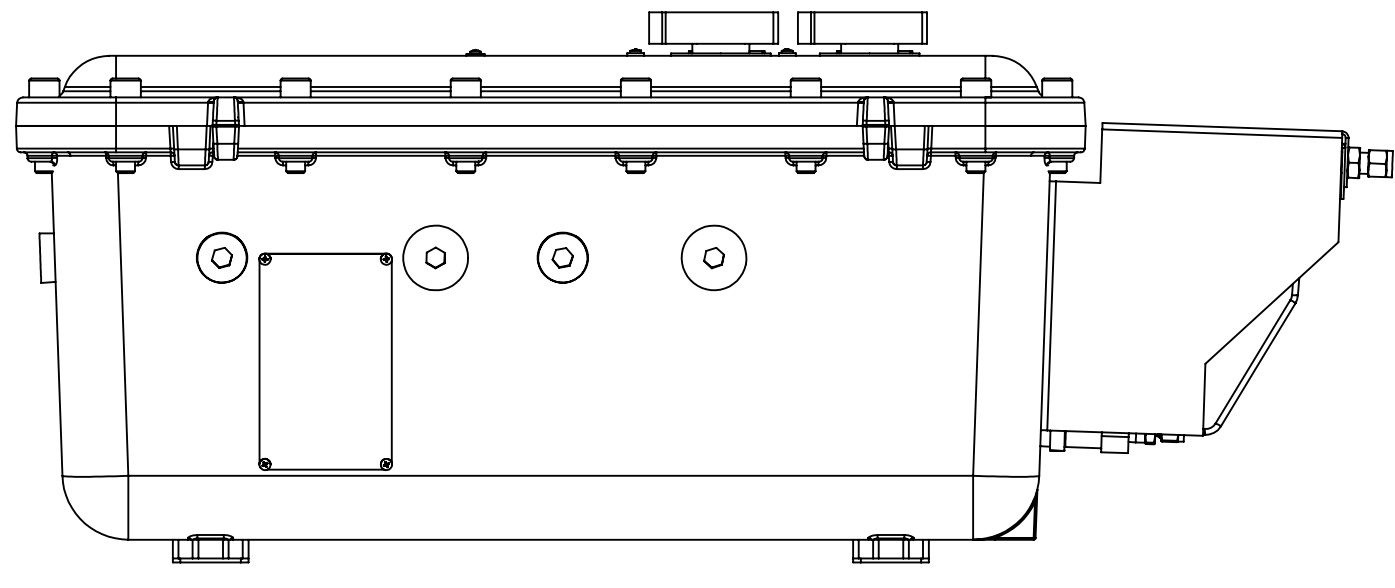
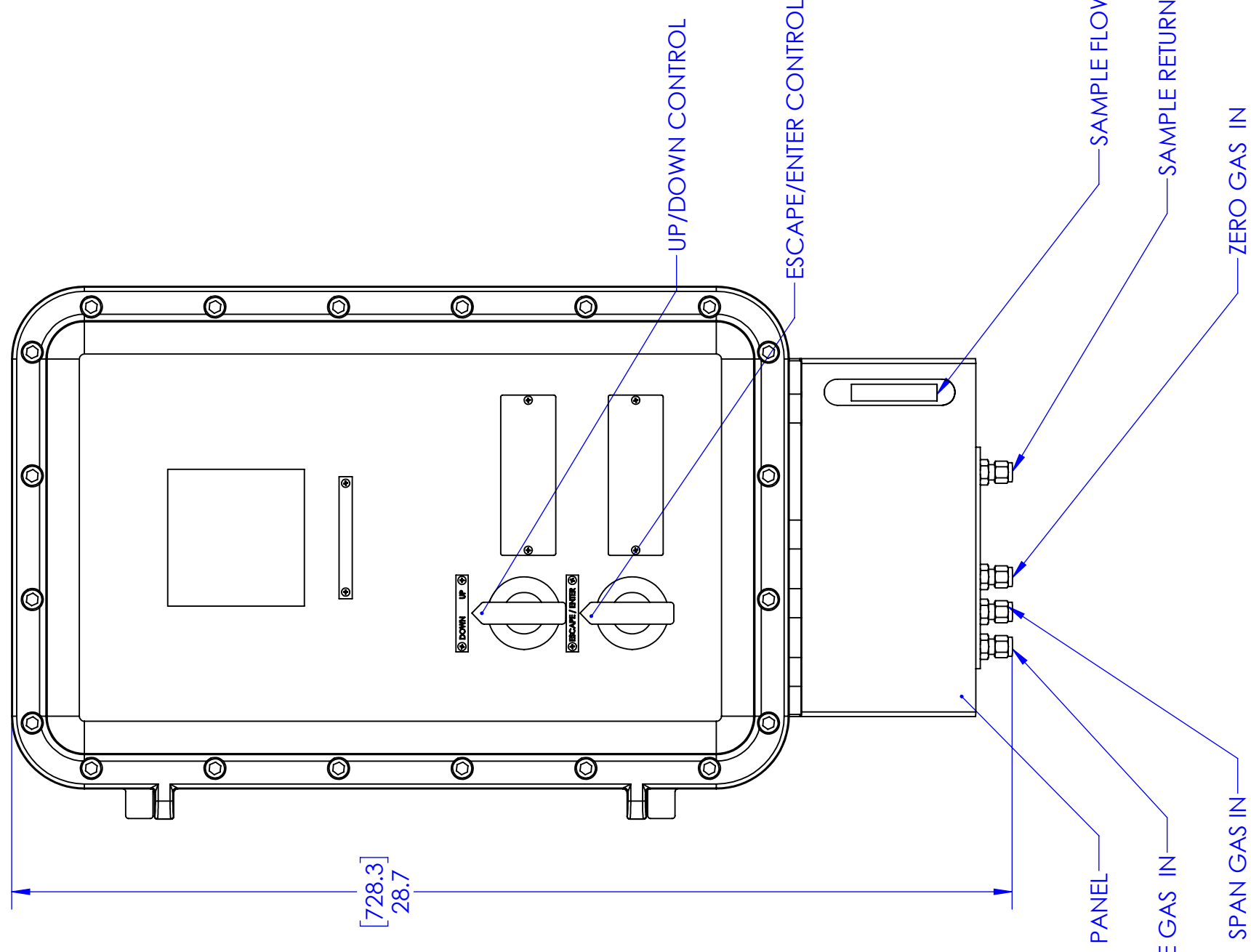
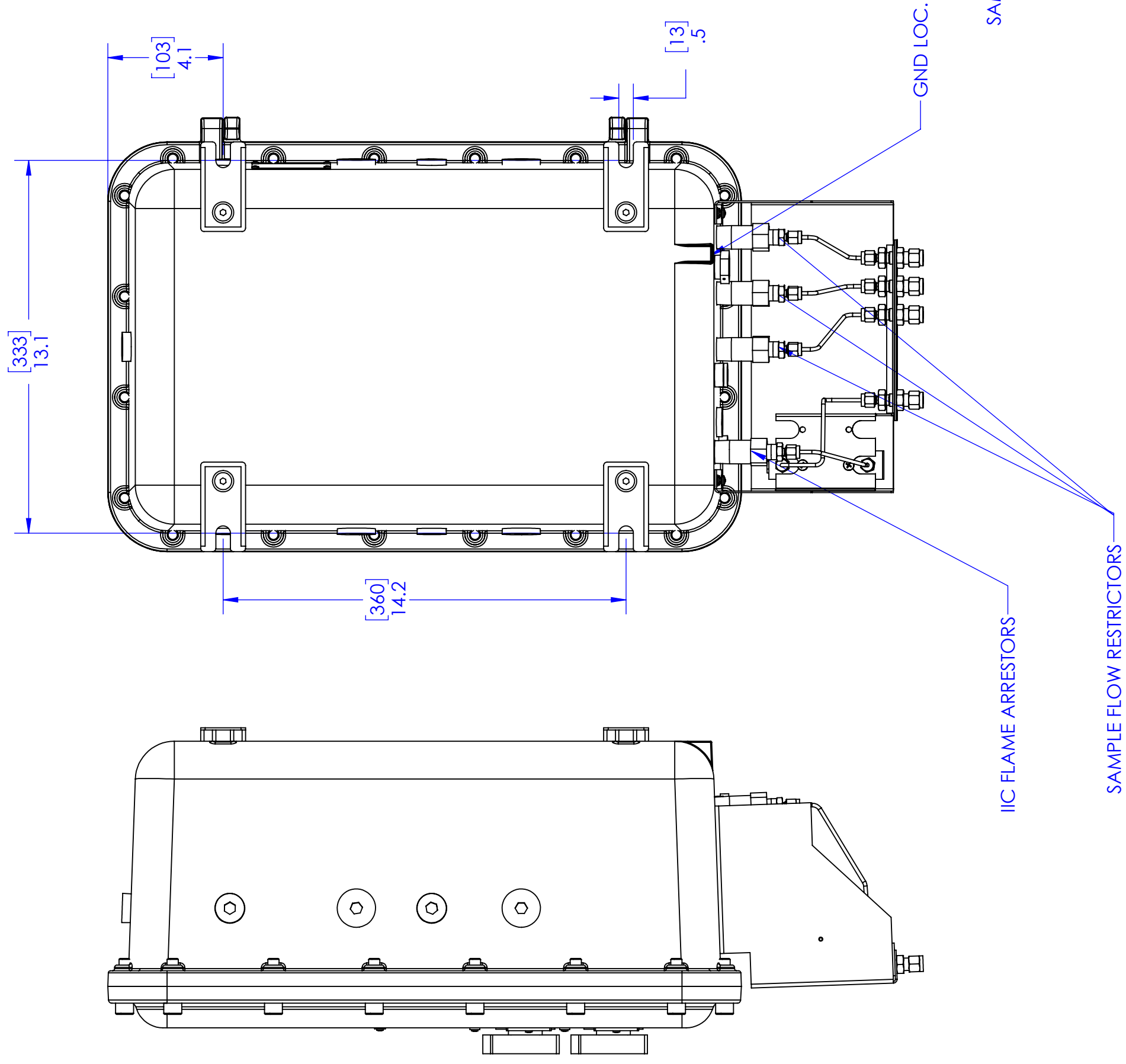
4

3

2

1

A



SHEET

2 OF 2

DWG NO.

C-94974

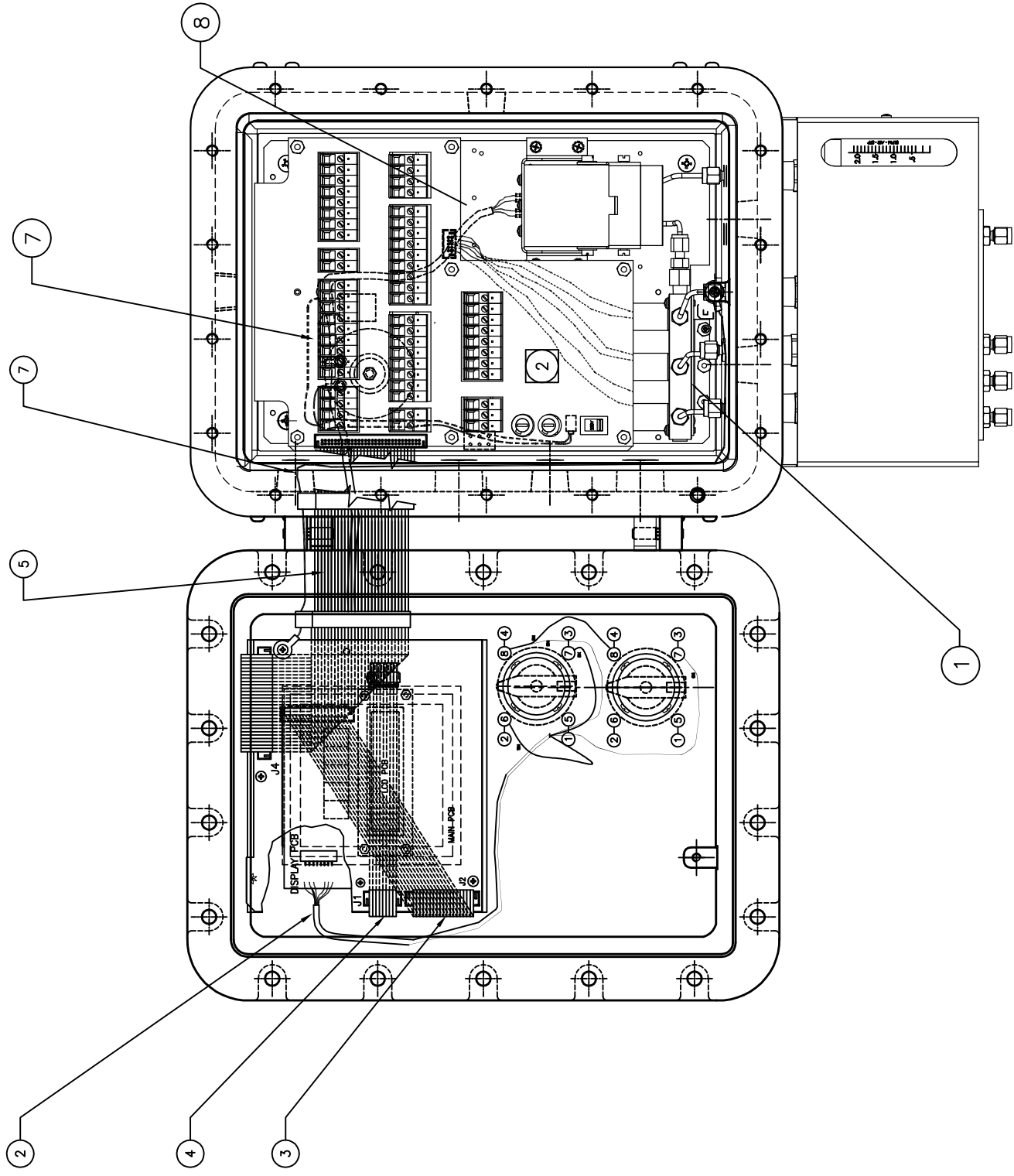
REV

0



NOTES: UNLESS OTHERWISE SPECIFIED.  
 1 REFER INTERCONNECTION DIAGRAM D94974  
 2 AUTO CAL IS OPTIONAL

Use and Disclosure of Data.  
 Information contained herein is classified as EAR99 under the Export Administration Regulations. Its release or disclosure, in whole or in part, is prohibited, except as may be authorized in writing by the Department of State.



REV	DESCRIPTION	DATE	APP.	REV.
0	INITIAL RELEASE	01/30/18	KFP	--

ITEM	QTY	PART NO.	DESCRIPTION
7	1	C94410	EMI FILTER AND GROUNDING WIRE ASSEMBLY
9	3	CP1787	CABLE CLIPS
8			SENSOR ASSY IS LOCATED ON THE FINAL WIRING ASSY (HEATER TO INTERFACE PCB)
7	1	B-65918	WIRING ASSY (HEATER TO INTERFACE PCB)
6	--	--	--
5	1	B65913	RIBBON CABLE ASSY
4	1	B65912	RIBBON CABLE ASSY (MAIN PCB - DISPLAY PCB)
3	1	B65914	WIRING ASSY (MAIN PCB- DISPLAY PCB)
2	1	B93562	WIRING ASSY (CONTROL SWITCHES - DISPLAY PCB)
1	REF	B94389C	AUTO-CAL ASSY

SIGNATURES		DATE	TITLE	SCALE
N/	DRFT: KFP	08/30/17	WIRING ASSEMBLY	1:2
I/	CHK:		3020	SIM D93563
O/	APPR:			SHEET 1 OF 1
P/	ENGR: KFP			REV 0
F/	C.O. STANDARD			
REFERENCE	CAD ID D94399-0			

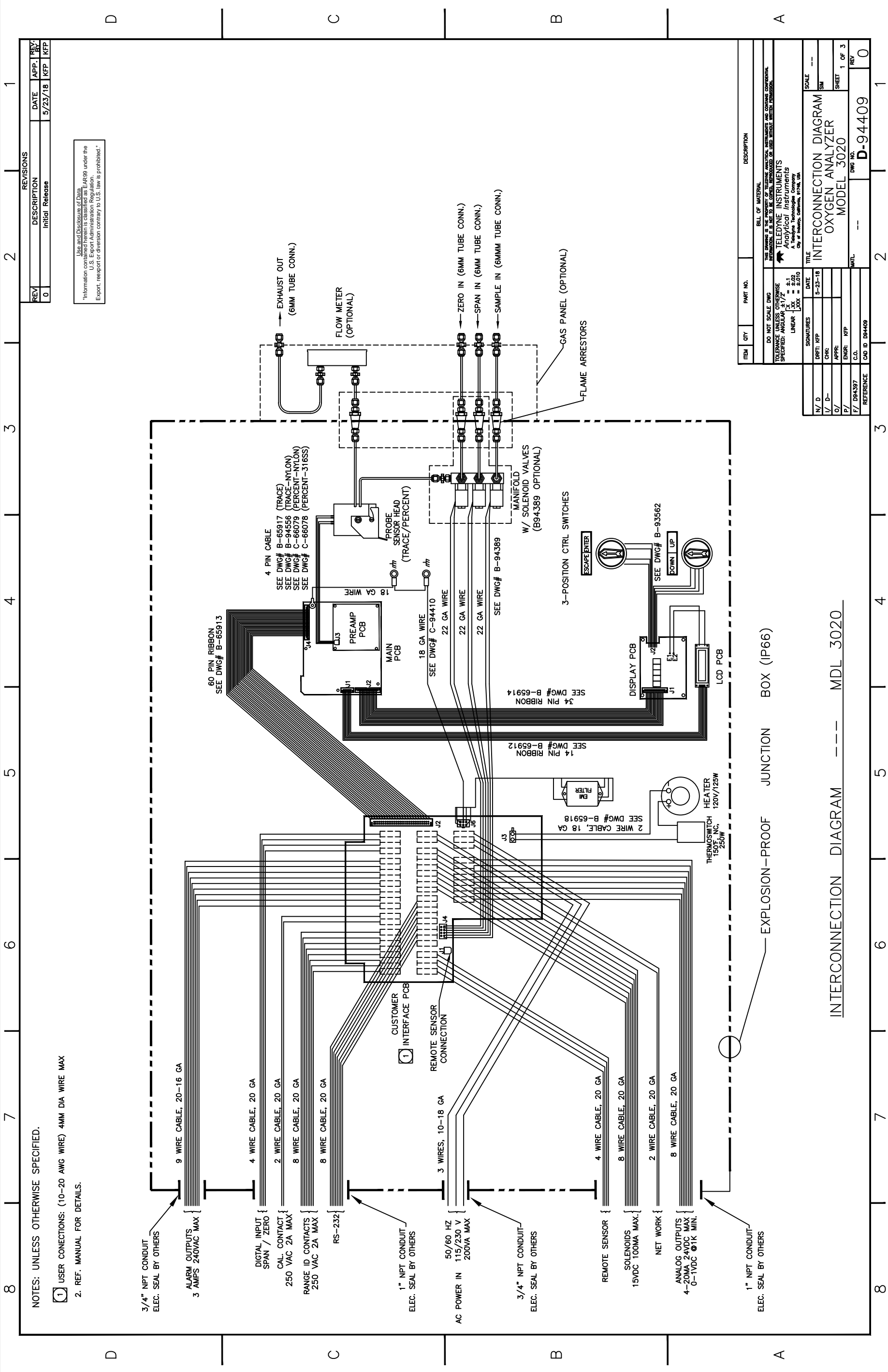
DO NOT SCALE DRAWING.  
 UNLESS OTHERWISE SPECIFIED,  
 DIMENSIONS ARE IN INCHES.  
 TOLERANCE:  
 ANGULAR ±1/2° LINEAR .004 ±.010

BILL OF MATERIAL  
 THIS DRAWING IS THE PROPERTY OF TELETYPE INSTRUMENTS AND CONTAINS CONFIDENTIAL INFORMATION.  
 IT IS NOT TO BE LOANED, REPRODUCED OR COPIED WITHOUT WRITTEN PERMISSION.  
 TELETYPE INSTRUMENTS  
 Analytical Instruments  
 A Teletype Technologies Company  
 CITY OF ROCKFORD, ILLINOIS 61106

AS LISTED  
 D-94399  
 2

1  
 2  
 3  
 4  
 5  
 6  
 7  
 8





NOTES: UNLESS OTHERWISE SPECIFIED.

1. USER CONNECTIONS: (10-20 AWG WIRE) 4MM DIA WIRE MAX
2. REF. MANUAL FOR DETAILS.

Use and Disclosure of Data  
Information contained herein is classified as EAR99 under the  
U.S. Export Administration Regulation.  
Export, re-export or diversion contrary to U.S. law is prohibited.

REV	DESCRIPTION	DATE	APP.	REV.
0	Initial Release	5/23/18	KFP	KFP

ITEM	QTY	PART NO.	DESCRIPTION
BILL OF MATERIAL			
DO NOT SCALE DWG REVISES: UNLESS OTHERWISE SPECIFIED: ANGULAR ±1/2° LINEAR ±.010			
TELEDYNE INSTRUMENTS Analytical Instruments A Teledyne Company City of Houston, California 97146, USA			
N/D		DRAFT: KFP	DATE: 5-23-18
V/D		CHK:	
O/		APPR:	
P/		ENGR: KFP	
F/		C.O.:	
REFERENCE		CAD ID: B94409	
TITLE: INTERCONNECTION DIAGRAM OXYGEN ANALYZER MODEL 3020			SCALE: ---
DWG NO.: D-94409			SHEET: 1 OF 3
REV: 0			REV: 0

EXPLOSION-PROOF JUNCTION BOX (IP66)

INTERCONNECTION DIAGRAM --- MDL 3020