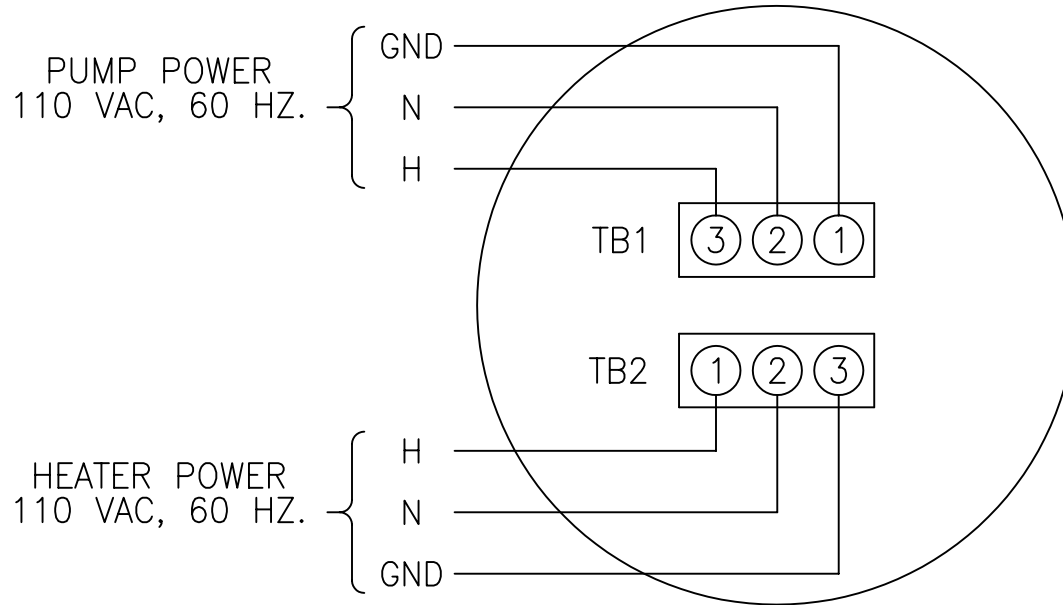



NOTES: UNLESS OTHERWISE SPECIFIED

REVISIONS				
REV	DESCRIPTION	DATE	APP.	REV. BY
0	INITIAL RELEASE			--

JUNCTION BOX



DO NOT SCALE DWG		THIS DRAWING IS THE PROPERTY OF TELEDYNE ANALYTICAL INSTRUMENTS AND CONTAINS CONFIDENTIAL INFORMATION. IT IS NOT TO BE COPIED, REPRODUCED OR USED WITHOUT WRITTEN PERMISSION.		
TOLERANCE UNLESS OTHERWISE SPECIFIED: ANGULAR $\pm 1/2^\circ$ LINEAR $\begin{cases} \text{.X} & = \pm .1 \\ \text{.XX} & = \pm .02 \\ \text{.XXX} & = \pm .010 \end{cases}$		 Teledyne Analytical Instruments A business unit of Teledyne Electronic Technologies CITY OF INDUSTRY, CALIFORNIA 91748		
S/	SIGNATURES	DATE	TITLE INTERCONNECTION DIAGRAM TRACE OXYGEN ANALYZER MODEL 3020T	SCALE NONE
N/	DRFT: JOHN REYES	07/26/01		SIM A-66770
P/	CHK:			SHEET 1 OF 1
I/	APPR:			
F/ D-73925	ENGR: TOM CHERNALS			
O/ D-73924	C.O.: 026879		MATL. NONE	DWG NO. A-73933
REFERENCE	CAD I.D. A73933-0			REV 0