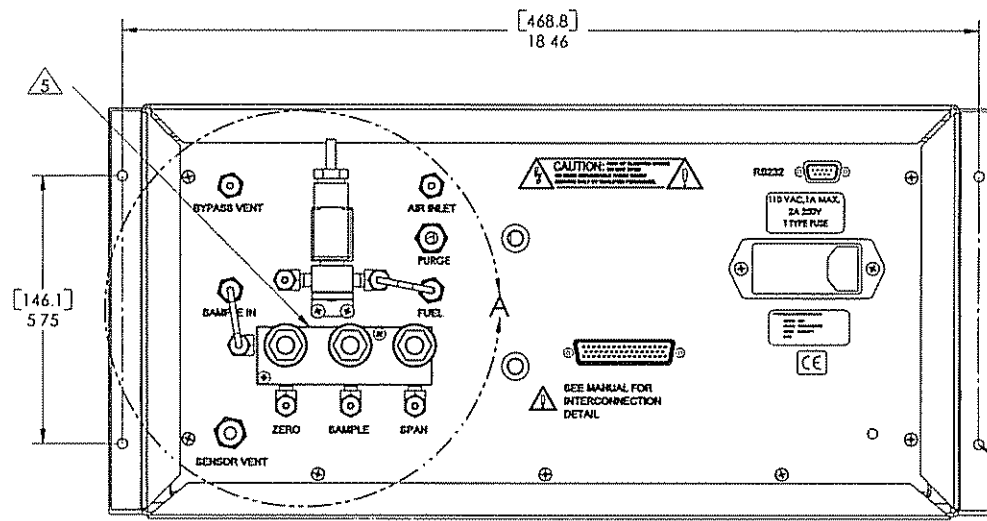
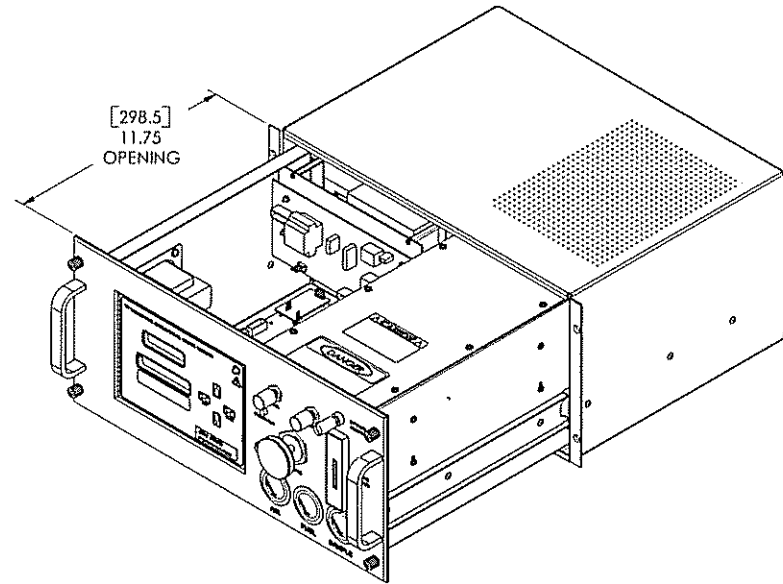
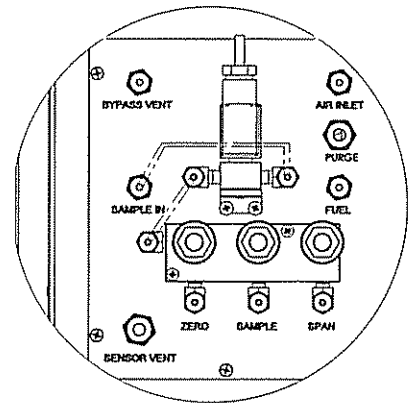
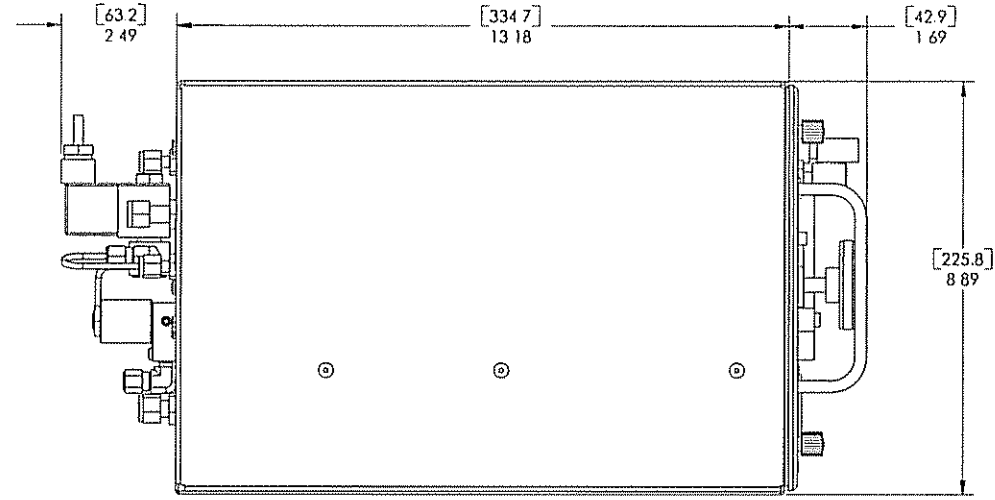
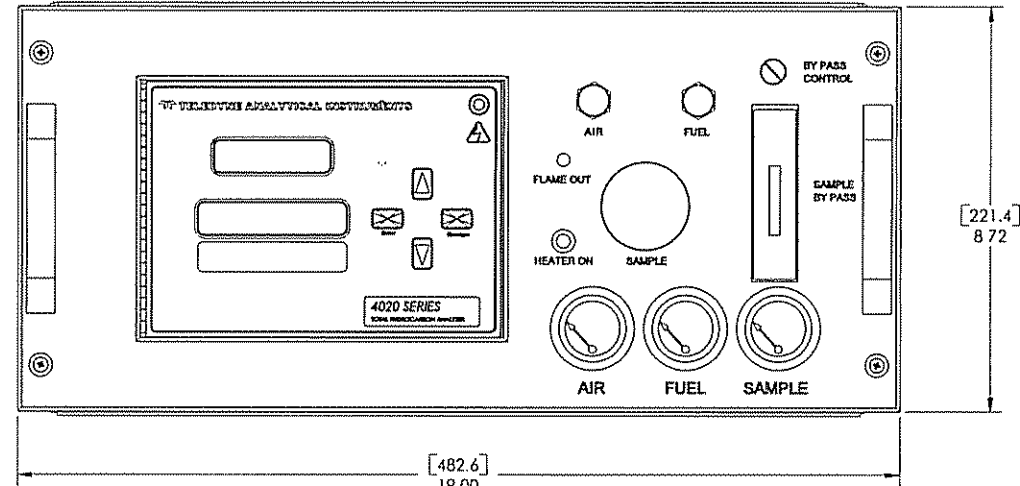


NOTES: UNLESS OTHERWISE SPECIFIED

- 1 ELECTRICAL CONNECTION:
 - STANDARD: 110 VAC, 50/60 Hz, 0.9 AMP, MAX FUSE USED: 250V, 1A, TYPE T
 - OPTIONAL: 220 VAC, 50/60 Hz, 0.9 AMP, MAX FUSE USED: 250V, 1A, TYPE T
- 2 GAS CONNECTIONS:
 - 1/8" TUBE FITTINGS: BYPASS VENT, AIR INLET, SAMPLE IN, FUEL, ZERO SPAN
 - 1/4" TUBE FITTING: SENSOR VENT
- 3 INPUT/OUTPUT DATA CONNECTIONS:
 - RS 232: 9 PIN DSUB CONNECTOR
 - CONTROL DATA: 50 PIN DSUB CONNECTOR
- 4 ALL DIMENSIONS ARE IN INCHES [MILLIMETER]
- 5 OPTIONAL: AUTO-CAL MANIFOLD FEATURE
- 6 INLET GASES:
 - A: PARTICULATE FREE
 - B: NON-CONDENSATING
 - C: 5-50 °C

REVISIONS				
REV	DESCRIPTION	DATE	APP.	REV BY
0	INITIAL RELEASE	1-22-03	MM	---
1	UPDATES FOR CUSTOMER CONNECTIONS	3-14-03	GD	FE
2	UPDATES PER REEPLER MAP-UPS	4-1-04	GD	AM
3	ADDED DETAIL A FOR HYDROGEN BACKGROUND VIEW	4-8-04	GD	AM
4	UPDATED ASSEMBLY MODEL ADDED NOTES 5 AND 6	10-31-05	LF	LF
5	REV ECO 04-0050 ADDED MODEL ID LABEL B76673*	1-26-06	LF	LF
6	REV ECO 07-0065	4/5/07	LL	LL



MOUNT USING
4X 10-32 X 0.375 FLAT
HEAD SCREWS

RECOMMENDED PANEL CUTOUT:
17.5 IN X 8.95 IN [445 MM X 227 MM]

TOLERANCES UNLESS OTHERWISE SPECIFIED:		BILL OF MATERIALS	
LINEAR	±0.1	Teledyne Analytical Instruments A business unit of Teledyne Electronic Technologies CITY OF INDUSTRY, CALIFORNIA 91744	
ANGULAR	±1/2°	TITLE: MODEL 4020 OUTLINE DIAGRAM	
DRY: MAHDI NGUYEN	DATE: 1/22/03	SCALE: NONE	REV: 6
CHK:		SHEET: 1 OF 1	DWG NO: D-75508
APPR:			
ENGR: QUYEN DANG			
S.D. Standard			
REFERENCE: CAD ID: D75508-6			