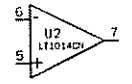
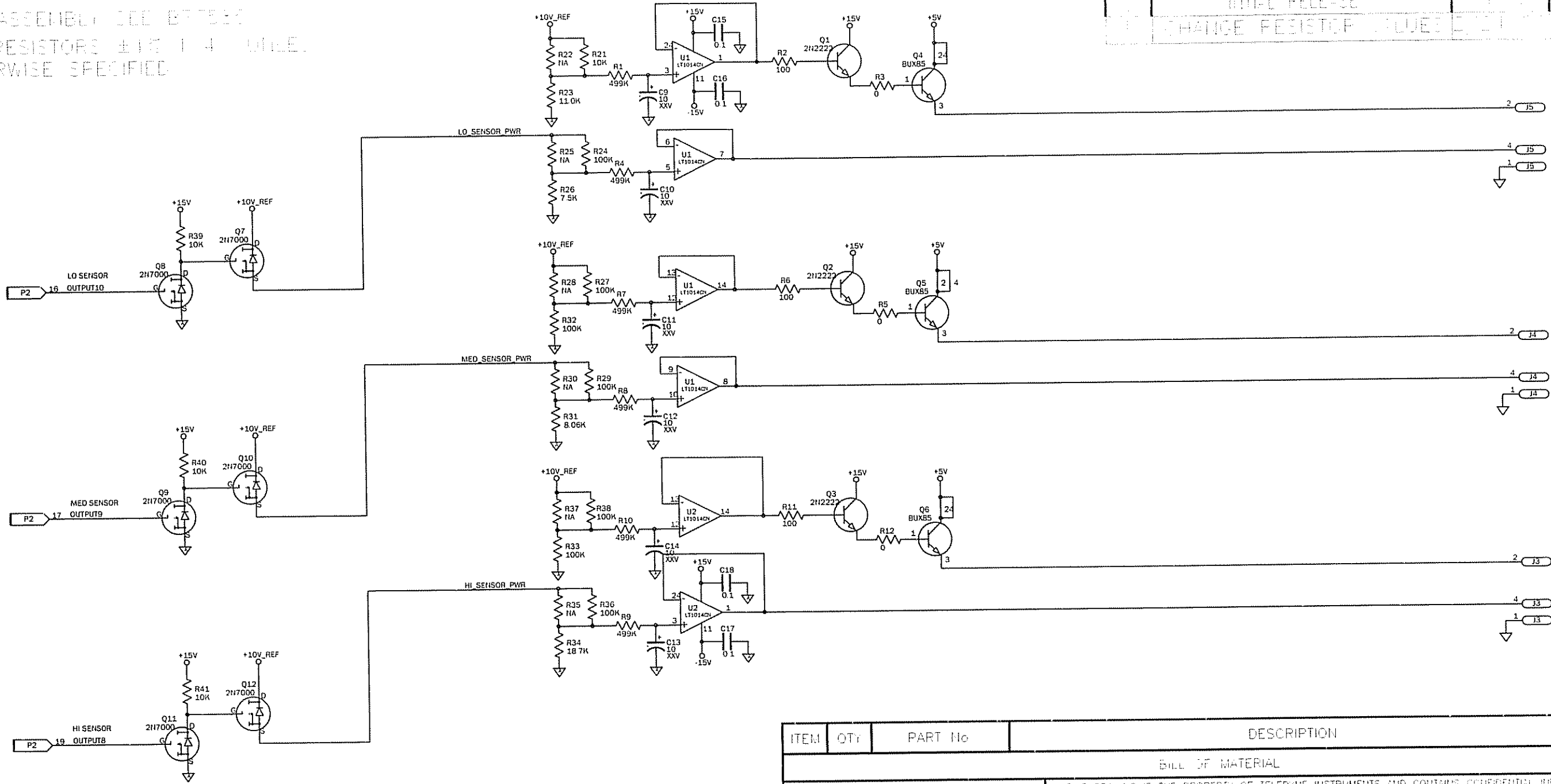


TOLERANCE UNLESS OTHERWISE SPECIFIED
 FOR ASSEMBLY SEE B77584
 ALL RESISTORS ±1% UNLESS OTHERWISE SPECIFIED

FEELISICITE				
REV.	DESCRIPTION	DATE	BY	CHK.
1	INITIAL RELEASE			
2	CHANGE RESISTOR VALUES			



ITEM	QTY	PART No	DESCRIPTION
BILL OF MATERIAL			
DO NOT SCALE DWG		THIS DRAWING IS THE PROPERTY OF TELEMETRIC INSTRUMENTS AND CONTAINS CONFIDENTIAL INFORMATION. IT IS NOT TO BE COPIED, REPRODUCED OR USED WITHOUT WRITTEN PERMISSION.	
TOLERANCE UNLESS OTHERWISE SPECIFIED: ANGULAR ±1/2°		 Teledyne Instruments A Teledyne Technologies Company 17000 E. Harvard, Pasadena, CA 91748, USA	
LINEAR { Y = ±0.1 XX = ±0.01 XXX = ±0.001			
SIGNATURES			
3/	DPFT: R. MILVERSTED	1/17, 05	SCHEMATIC DIAGRAM 30003- PREAMP BOARD MULTI-SENSOR
4/	CHK:		
5/	APP:		
6/	ENGR: ROB MILVERSTED		
7/	C O: 074325		
REFERENCE	CAD ID B77584-1		
MATERIAL			SCALE: NONE
DWG NO: B-77584			SHEET: 1 OF 2
			REV: 1