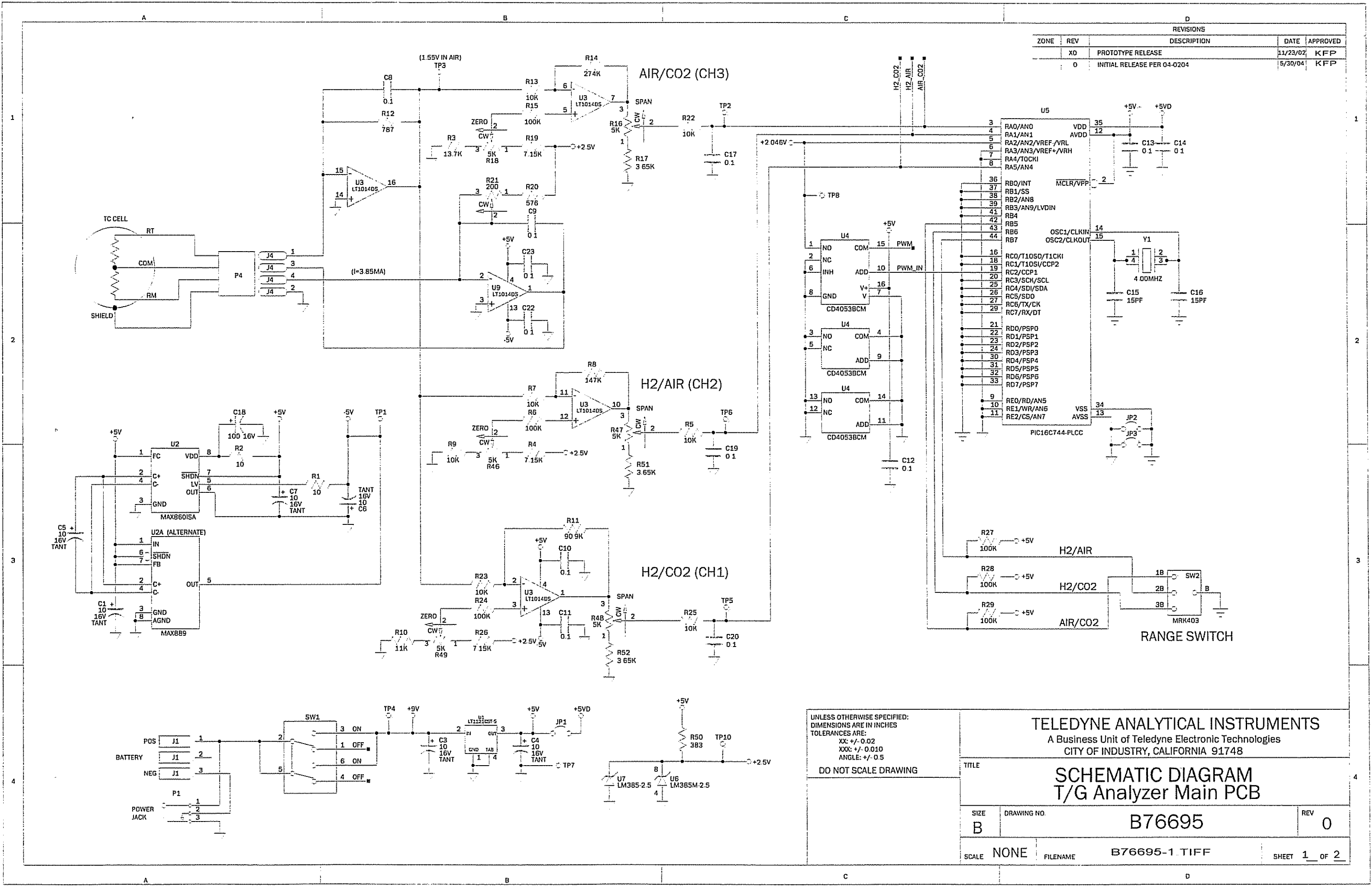


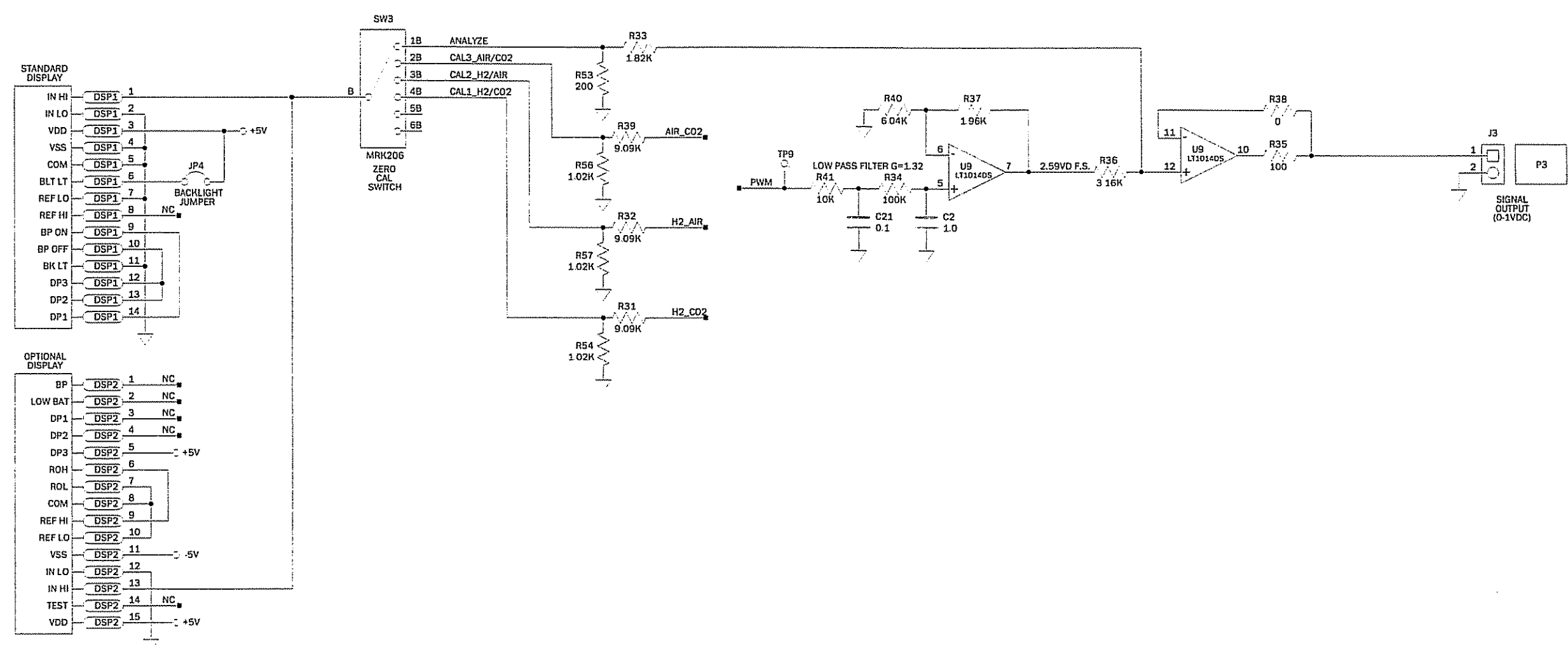
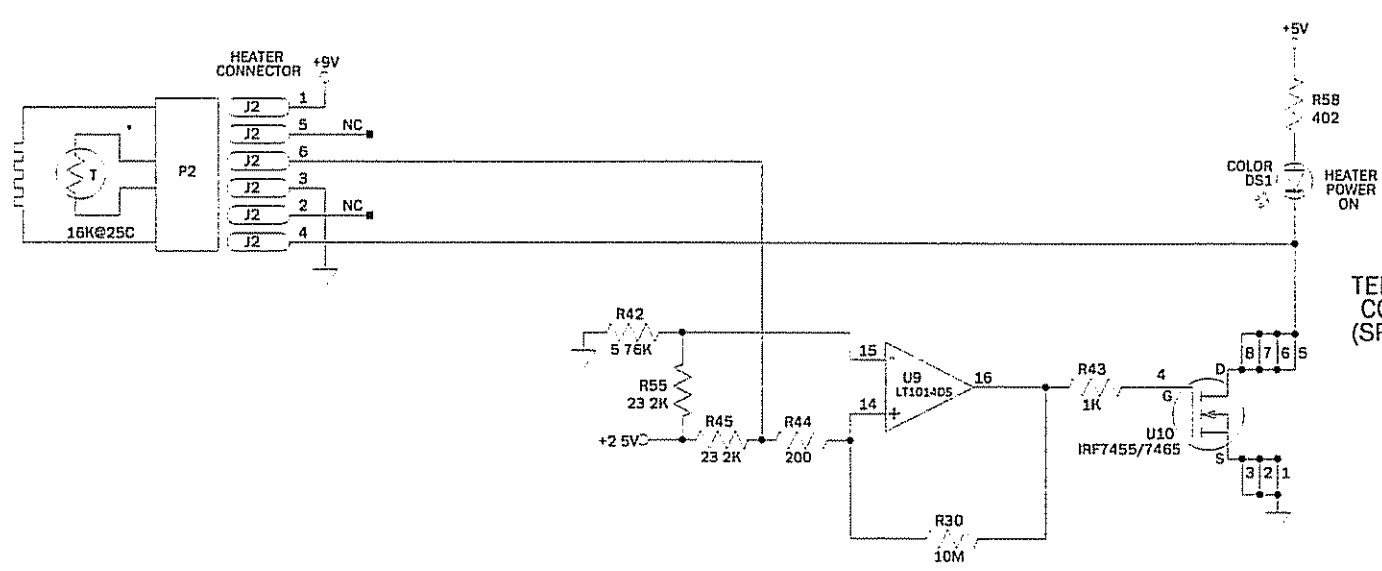
REVISIONS				
ZONE	REV	DESCRIPTION	DATE	APPROVED
	X0	PROTOTYPE RELEASE	11/23/02	KFP
	0	INITIAL RELEASE PER 04-0204	5/30/04	KFP



UNLESS OTHERWISE SPECIFIED:
 DIMENSIONS ARE IN INCHES
 TOLERANCES ARE:
 XX: +/- 0.02
 XXX: +/- 0.010
 ANGLE: +/- 0.5
 DO NOT SCALE DRAWING

TELEDYNE ANALYTICAL INSTRUMENTS A Business Unit of Teledyne Electronic Technologies CITY OF INDUSTRY, CALIFORNIA 91748		
TITLE SCHEMATIC DIAGRAM T/G Analyzer Main PCB		
SIZE B	DRAWING NO. B76695	REV 0
SCALE NONE	FILENAME B76695-1.TIFF	SHEET 1 OF 2

REVISIONS				
ZONE	REV	DESCRIPTION	DATE	APPROVED
		SEE SHEET 1		



SIZE B	DRAWING NO. B76695	REV 0
SCALE NONE	FILENAME B76695_0.2	SHEET 2 OF 2