

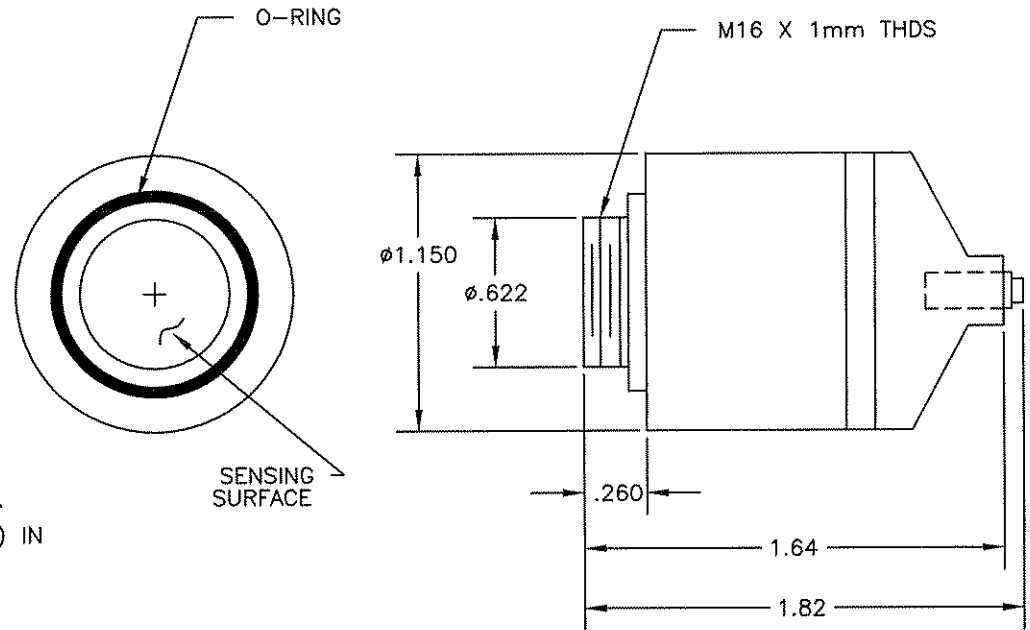
NOTES: UNLESS OTHERWISE SPECIFIED.

1. LABEL PER CUSTOMER SPECIFICATION
2. CONNECTORS POLARITY :  
 TIP (CENTER)- NEGATIVE (-)  
 \* SLEEVE - POSITIVE (+)  
 TYPICAL MATING PLUG SWITCHCRAFT .141" MINIATURE PHONE PLUGS  
 P/N: 740 (SCREW TERMINAL) OR P/N: 750 (CLAMP-LUG TERMINAL).
3. TEMPERATURE COMPENSATION ERROR IS  $\pm 5\%$  OF FULL SCALE OVER THE OPERATING TEMPERATURE RANGE. WORST CASE TRACKING ERROR (WITHIN THE FIRST HOUR AFTER A MAXIMUM TEMPERATURE STEP) IS  $\pm 7.5\%$  OF FULL SCALE. (GAS SAMPLES MUST BE BROUGHT TO AMBIENT TEMPERATURE) PERCENT READOUT IS ONLY WITHIN  $\pm 1\%$  AT CONSTANT PRESSURE (E.G. A 10% INCREASE IN PRESSURE WILL RESULT IN A 10% INCREASE IN READING).
4. ASSEMBLY TO BE PACKAGED IN A GAS BARRIER BAG.
5. ASSEMBLY MANUFACTURED AND TESTED TO MPD-61679.

SPECIFICATIONS:

- 1) OUTPUT - (8-13 mV) IN AIR AT 25 °C, SEA LEVEL
- 2) RANGE - 0-100% OXYGEN (MAX), 0-1% OXYGEN (MIN)
- 3) ACCURACY - WITHIN  $\pm 1\%$  OF FULL SCALE AT CONSTANT TEMPERATURE AND PRESSURE WHEN CALIBRATED WITH 100% O<sub>2</sub>
- 4) RESPONSE TIME - LESS THAN 6 SECONDS FOR 90% OF FINAL VALUE.
- 5) OFFSET - LESS THAN 0.5% OF OXYGEN EQUIVALENT AT 25 °C (77 °F) IN ZERO GAS AFTER 36 SECONDS.
- 6) HUMIDITY - 0 TO 99% R.H. (NON-CONDENSING).
- 7) OPERATING TEMPERATURE RANGE - 0 TO 40 °C (32 TO 104 °F)
- 8) STORAGE TEMPERATURE - 0 TO 50 °C (32 TO 122 °F)
- 9) AVG. EXPECTED CELL LIFE - 36 MONTHS IN AIR AT 25 °C AND 50% R.H.
- 10) WEIGHT - 1.1 OZ (31 GRAMS)
- 11) LOAD - 10K REQUIRED
- 12) APPLICATION - FOR SURFACE/ABOVE-WATER DIVING-CYLINDER VERIFICATION APPLICATIONS; NOT INTENDED FOR UNDERWATER USE.

REVISIONS				
REV	DESCRIPTION	DATE	APP.	REV. BY
0	PROD REL ECO 10-0112	05/24/10	MG	VF



ITEM	QTY	PART No.	DESCRIPTION
BILL OF MATERIAL			
DO NOT SCALE DRAWING		THIS DRAWING IS THE PROPERTY OF TELEDYNE INSTRUMENTS AND CONTAINS CONFIDENTIAL INFORMATION. IT IS NOT TO BE COPIED, REPRODUCED OR USED WITHOUT WRITTEN PERMISSION.	
UNLESS OTHERWISE SPECIFIED DIMENSIONS ARE IN INCHES TOLERANCE:		<b>TELEDYNE INSTRUMENTS</b> Analytical Instruments A Teledyne Technologies Company City of Industry, California, 91748, USA	
ANGULAR $\pm 1/2^\circ$ LINEAR .XX = $\pm .02$ .XXX = $\pm .010$			
S/ SIGNATURES DATE			
N/	DRFT: MGONZALEZ	05/24/10	TITLE SPEC. CONTROL DWG. OXYGEN SENSOR CLASS R17S
I/	CHK:		
P/	APPR:		
O/	ENGR: MGONZALEZ		
F/	C.O.:		
REFERENCE	CAD I.D. B84293-0		
MATERIAL			SCALE NTS
DWG NO. <b>B-84293</b>			SIM B-72146
REV 0			SHEET 1 OF 1