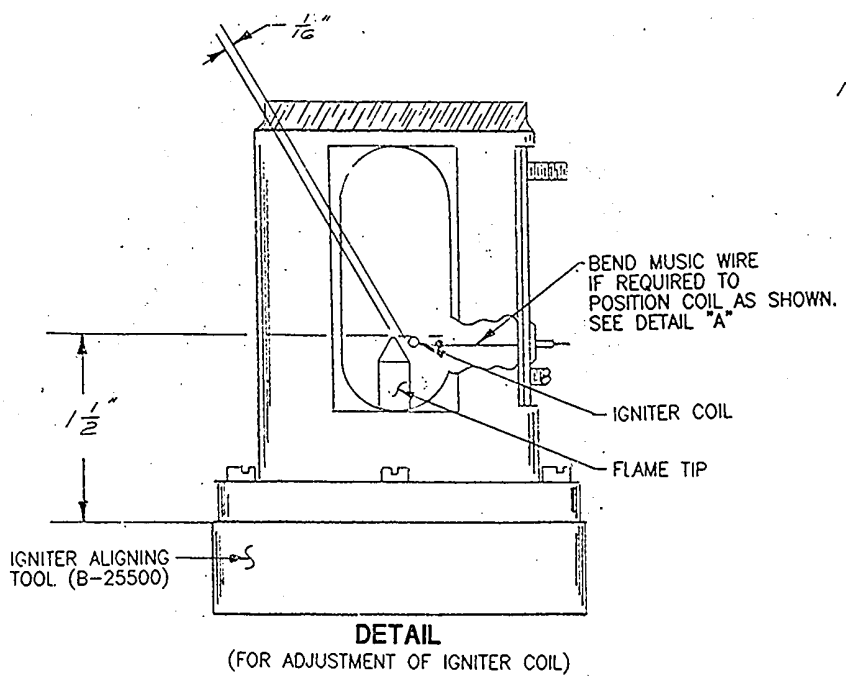
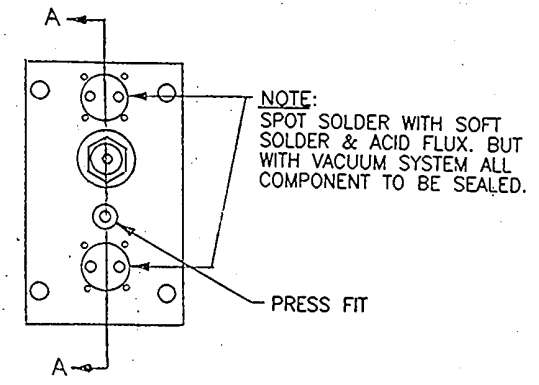
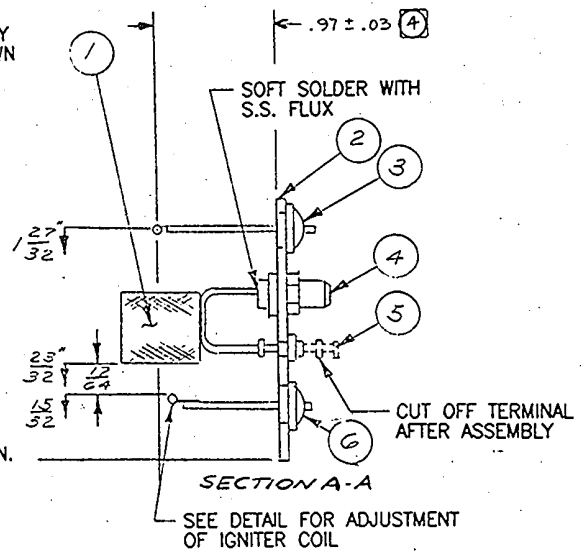


REVISIONS				
REV	DESCRIPTION	DATE	APPROVED	REV. BY
8	TITLE CH'D FORM CELL PLATE ASS'Y	7-18-81	HLH	--
9	ECO# 95-483	8/7/95	JL	M.V.



ITEM	QTY	PART No.	DESCRIPTION
6	1	A-8672	IGNITOR
5	1	T 93	TERMINAL, INSULATED
4	1	R 332	CABLE JACK, MICRODOT 031-DO49
3	1	A-8671	THERMISTOR SUB-ASSEMBLY
2	1	A-12645	CELL PLATE
1	1	A-8673	ANODE SUB-ASSEMBLY

- NOTES: UNLESS OTHERWISE SPECIFIED
- USE TOOL (B-25500) TO DETERMINE POSITION OF IGNITER COIL AFTER ASSEMBLY.
  - ADJUST IGNITER COIL SO THAT DISTANCE BETWEEN FLAME TIP & IGNITER IS 1/16". SEE DETAIL ABOVE.
  - TOP OF IGNITER COIL SHOULD EXTEND TO SAME LEVEL AS FLAME TIP. SEE DETAIL ABOVE.
  - TRIM TERMINALS OF ITEM 1 TO ARRIVE AT DIMENSION INDICATED.

SIGNATURES		DATE	TITLE		SCALE
W/ B-13174	DRFT: J. REYES	1-28-81	MODEL 402 HYDROCARBON ANALYZER ELECTRODE SUB-ASSEMBLY		FULL
O/	CHK:				SIM -
I/	ENGR:				SHEET 1 OF 1
N/	APPR:				
REFERENCE	S.C.:		MATL.	DWG NO.	REV
	CAD I.D. ---			B-13207	9

DO NOT SCALE DWG

TOLERANCE UNLESS OTHERWISE SPECIFIED: ANGULAR ±1/2°

LINEAR .XX = ±.02  
FRACT. ± 1/64 .XXX = ±.010

THIS DRAWING IS THE PROPERTY OF TELEDYNE BROWN ENGINEERING ANALYTICAL INSTRUMENTS AND CONTAINS CONFIDENTIAL INFORMATION IT IS NOT TO BE COPIED, REPRODUCED OR USED WITHOUT WRITTEN PERMISSION.

TELEDYNE BROWN ENGINEERING  
Analytical Instruments  
CITY OF INDUSTRY, CALIFORNIA 91748