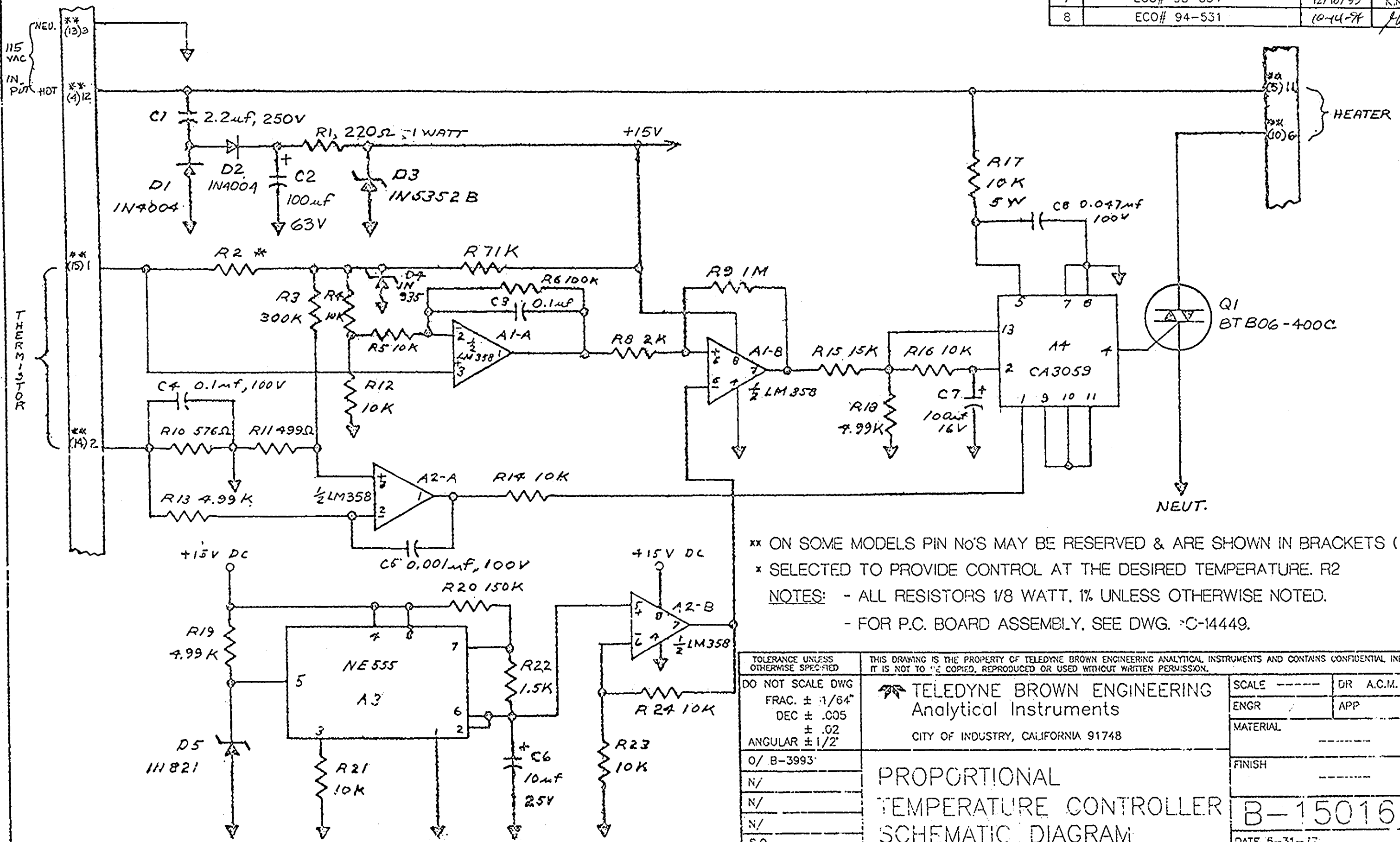


REVISIONS

REV	DESCRIPTION	DATE	APPROVED
7	ECO# 93-334	12/16/93	R.K. Johns
8	ECO# 94-531	10-14-94	JUL



xx ON SOME MODELS PIN NO'S MAY BE RESERVED & ARE SHOWN IN BRACKETS ().
 * SELECTED TO PROVIDE CONTROL AT THE DESIRED TEMPERATURE. R2
 NOTES: - ALL RESISTORS 1/8 WATT, 1% UNLESS OTHERWISE NOTED.
 - FOR P.C. BOARD ASSEMBLY, SEE DWG. C-14449.

TOLERANCE UNLESS OTHERWISE SPECIFIED	THIS DRAWING IS THE PROPERTY OF TELEDYNE BROWN ENGINEERING ANALYTICAL INSTRUMENTS AND CONTAINS CONFIDENTIAL INFORMATION. IT IS NOT TO BE COPIED, REPRODUCED OR USED WITHOUT WRITTEN PERMISSION.	
DO NOT SCALE DWG	TELEDYNE BROWN ENGINEERING Analytical Instruments CITY OF INDUSTRY, CALIFORNIA 91748	SCALE -----
FRAC. ± 1/64"		DR A.C.M.
DEC ± .005		ENGR / APP
ANGULAR ± 1/2°		MATERIAL -----
0/ B-3993'		FINISH -----
N/	PROPORTIONAL TEMPERATURE CONTROLLER SCHEMATIC DIAGRAM	B-15016
N/		DATE 5-31-77
N/		
S.O.		