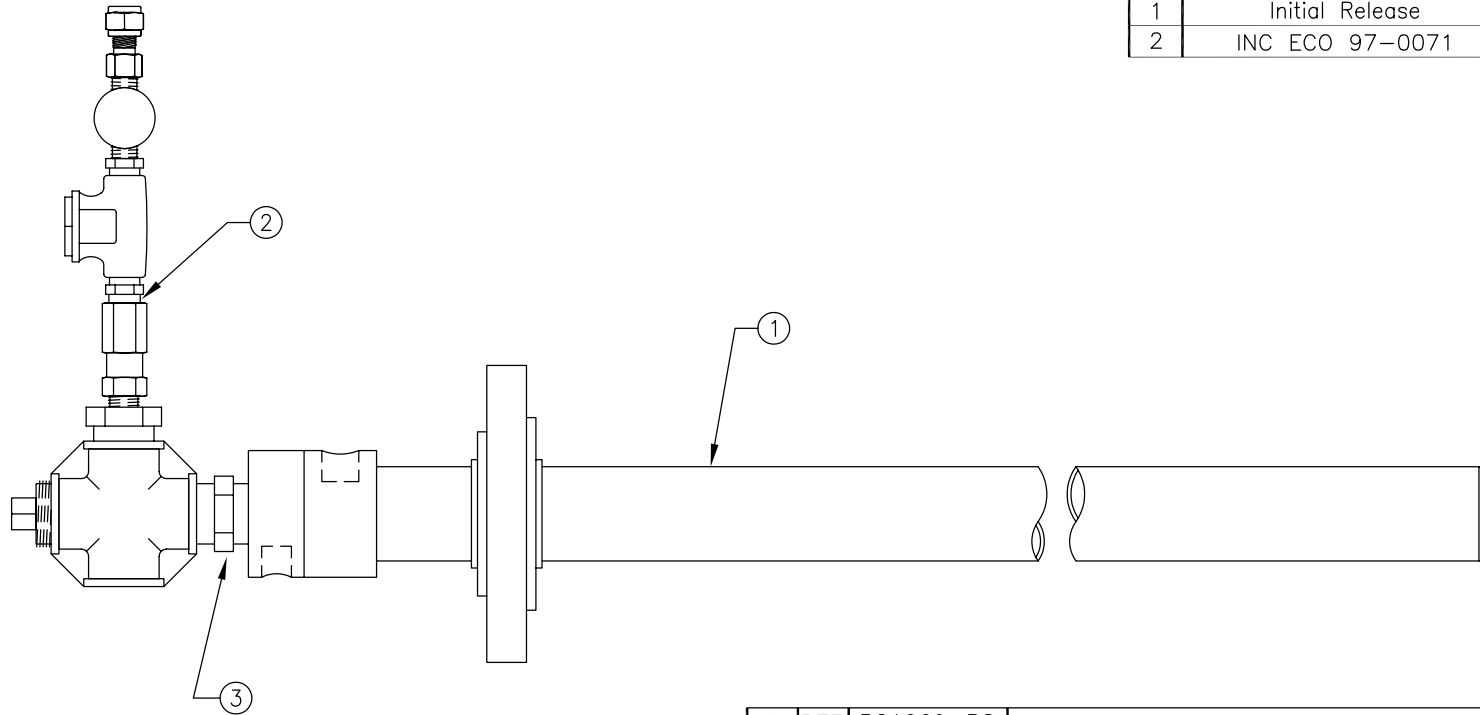


NOTES: UNLESS OTHERWISE SPECIFIED.



REVISIONS				
REV	DESCRIPTION	DATE	APP.	REV. BY
1	Initial Release	8-12-76	G.	--
2	INC ECO 97-0071	5/7/97	WC	VF

4	REF	B21069-RS	ROUTE SHEET
3	1	B 156	BUSHING, 1.0 x .75 316SS
2	1	A-12271	NOZZLE ASSEMBLY, SPRAY
1	1	C-14945	PROBE WELD ASSEMBLY

ITEM	QTY	PART No.	DESCRIPTION
------	-----	----------	-------------

BILL OF MATERIAL	
DO NOT SCALE DWG	THIS DRAWING IS THE PROPERTY OF TELEDYNE ANALYTICAL INSTRUMENTS AND CONTAINS CONFIDENTIAL INFORMATION. IT IS NOT TO BE COPIED, REPRODUCED OR USED WITHOUT WRITTEN PERMISSION.
TOLERANCE UNLESS OTHERWISE SPECIFIED: ANGULAR $\pm 1/2^\circ$ (.X) = $\pm .1$ LINEAR (.XX) = $\pm .02$ (.XXX) = $\pm .010$	Teledyne Analytical Instruments A business unit of Teledyne Electronic Technologies CITY OF INDUSTRY, CALIFORNIA 91748

S/	SIGNATURES	DATE	TITLE	SCALE
N/	DRFT: <i>Maritz</i>	11/12/96	PROBE ASSEMBLY WATER COOLED/WATER WASHED	SIM
I/	CHK: <i>Fig</i>	11/14/96		
P/	APPR:			SHEET 1 OF 1
O/ B-15184	ENGR:		MATL. - LISTED -	DWG NO. B-21069
F/	S.O.:			
REFERENCE	CAD I.D. B21069-2			