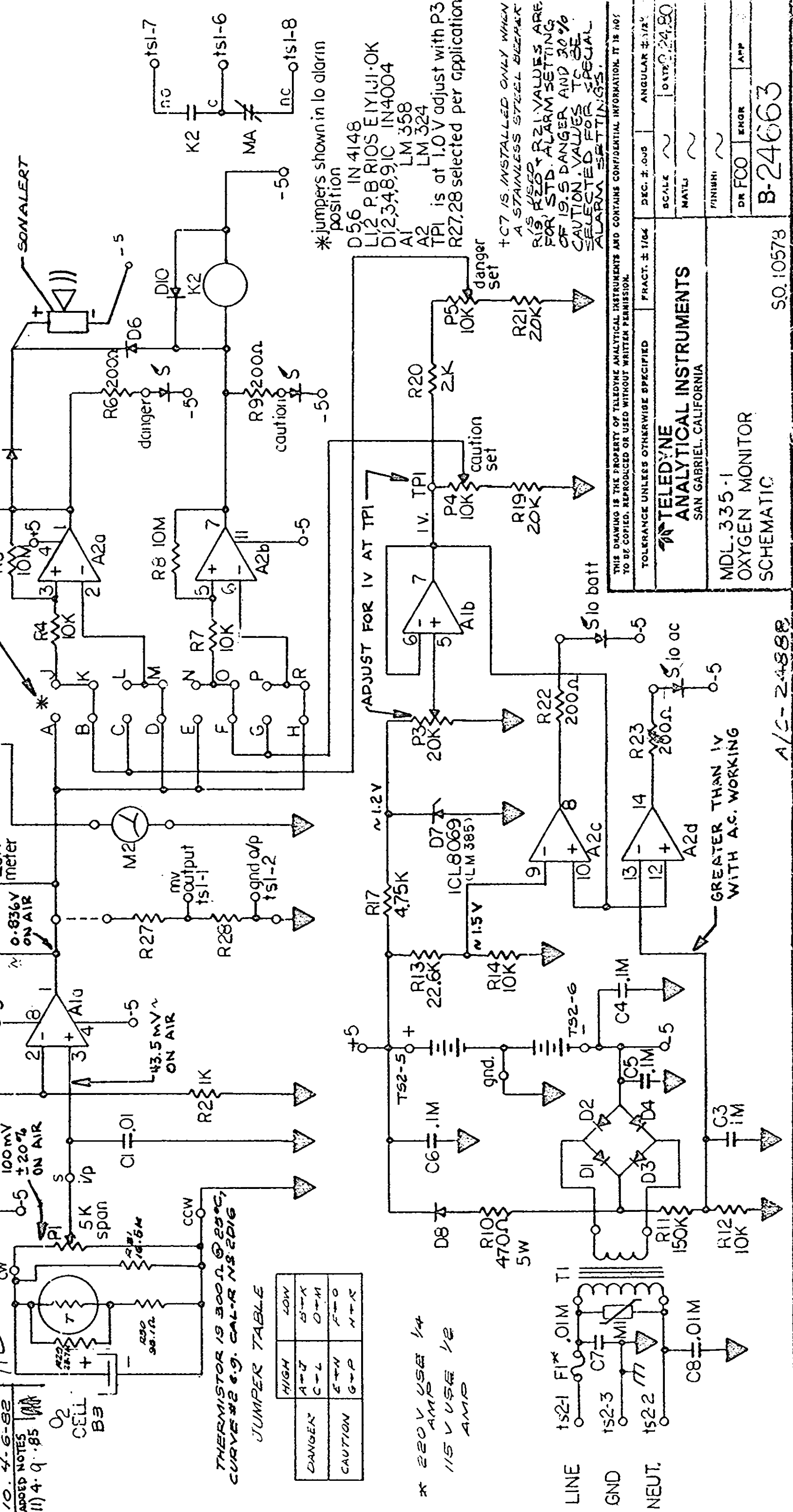


ISSUE NO.	APP.
7.11-25-80	11C
5.12-9-80	11C
6.ECO#81-0018 (MA)	
7) 11-10-88	
ECO#88-0253	11C

ECO#85-0186	ECO#86-0132
12.10-30-85	13. 9-2-86

REVISED - 7.5.19.81	11C
REVISIONS	
8 6 30 81	11C
CORRECTED VALVE OF P1	
9) 3-11-82	11C
82-0027	11C
10. 4. 6-82	
ADDED NOTES	
1) 4. 9. 85	



*jumpers shown in to alarm position
D 5.6 IN 4148
LI2 P.B RIOS E1Y1J1-OK
DI2,3,4,8,9,10 IN4004
AI LM 358
A2 LM 324
TPI is at 1.0V adjust with P3
R27,28 selected per application

+ C7 IS INSTALLED ONLY WHEN A STAINLESS STEEL BEERK RIG IS USED. R21 VALUES ARE FOR STD. ALARM SETTING OF 19.5 DANGER AND 30% CAUTION. VALUES TO BE SELECTED FOR SPECIAL ALARM SETTINGS.

THIS DRAWING IS THE PROPERTY OF TELEDYNE ANALYTICAL INSTRUMENTS AND CONTAINS CONFIDENTIAL INFORMATION. IT IS NOT TO BE COPIED, REPRODUCED OR USED WITHOUT WRITTEN PERMISSION.

TOLERANCE UNLESS OTHERWISE SPECIFIED	FRACT. ± 1/104	DEC. ± 0.05	ANGULAR ± 1/2°
TELEDYNE ANALYTICAL INSTRUMENTS		SCALE ~	DATE 02.24.80
SAN GABRIEL, CALIFORNIA		MATL ~	
MDL-335-1 OXYGEN MONITOR SCHEMATIC		FINISH ~	
SO. 10573		DR FCC	ENGR
A/C-2488E		APP	
B-24663			