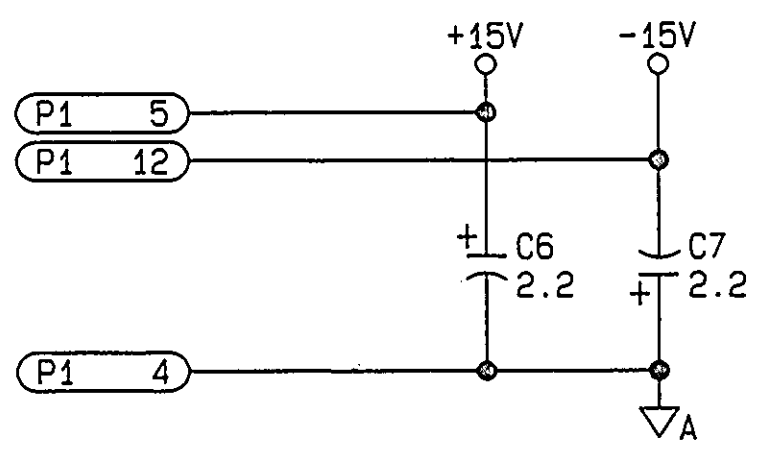
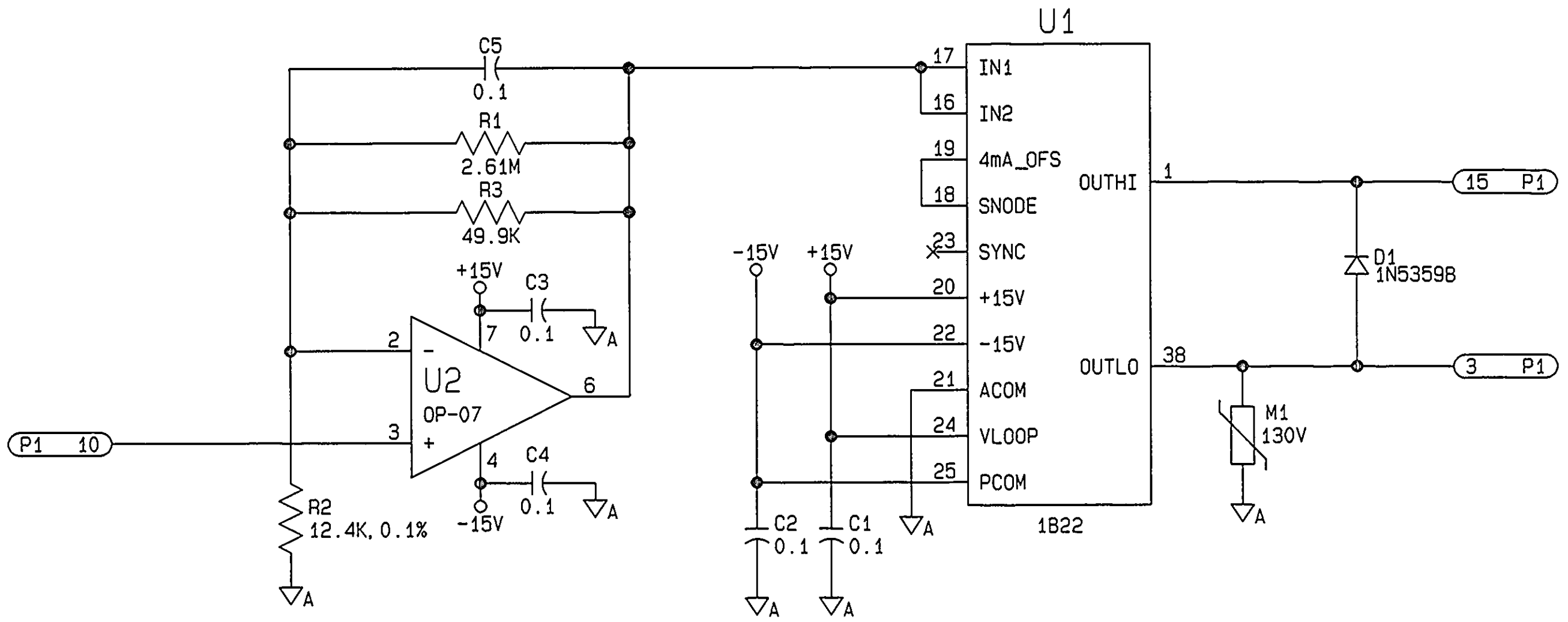


NOTES: UNLESS OTHERWISE SPECIFIED

1. FOR ASSEMBLY SEE B-29600.
2. RESISTANCE VALUES ARE IN OHMS, 1/8W, +/- 1%.
3. CAPACITANCE VALUES ARE IN MICROFARADS, 50V, +/-10%.
4. VALUES FOR R1 AND R3 MAY VARY IF BOARD DOES NOT MEET TEST SPECIFICATIONS INITIALLY.

REVISIONS				
ZONE	REV	DESCRIPTION	DATE	APPROVED
	7	INC ECO 94-234	4/28/94	SB
	8	INC ECO 94-615	11/28/94	SB
	9	INC ECO 95-836	11/27/95	ST



TOLERANCE UNLESS OTHERWISE SPECIFIED	THIS DRAWING IS THE PROPERTY OF TELEDYNE BROWN ENGINEERING ANALYTICAL INSTRUMENTS AND CONTAINS CONFIDENTIAL INFORMATION IT IS NOT TO BE COPIED, REPRODUCED OR USED WITHOUT WRITTEN PERMISSION.
DO NOT SCALE DWG	TELEDYNE BROWN ENGINEERING ANALYTICAL INSTRUMENTS CITY OF INDUSTRY, CALIFORNIA 91748
DEC .X - .1	
.XX -	SCALE NONE DR T.MCINTYRE
.XXX +	
BREAK EDGES .02	ENGR APP
	MATERIAL
	FINISH
F/ 13 99.99	B-29602 REV 9
N/	
S.O.	DATE 4/27/94 SHEET 1 OF 1

SCHMATIC DIAGRAM - ISOLATED E/I CONVERTER