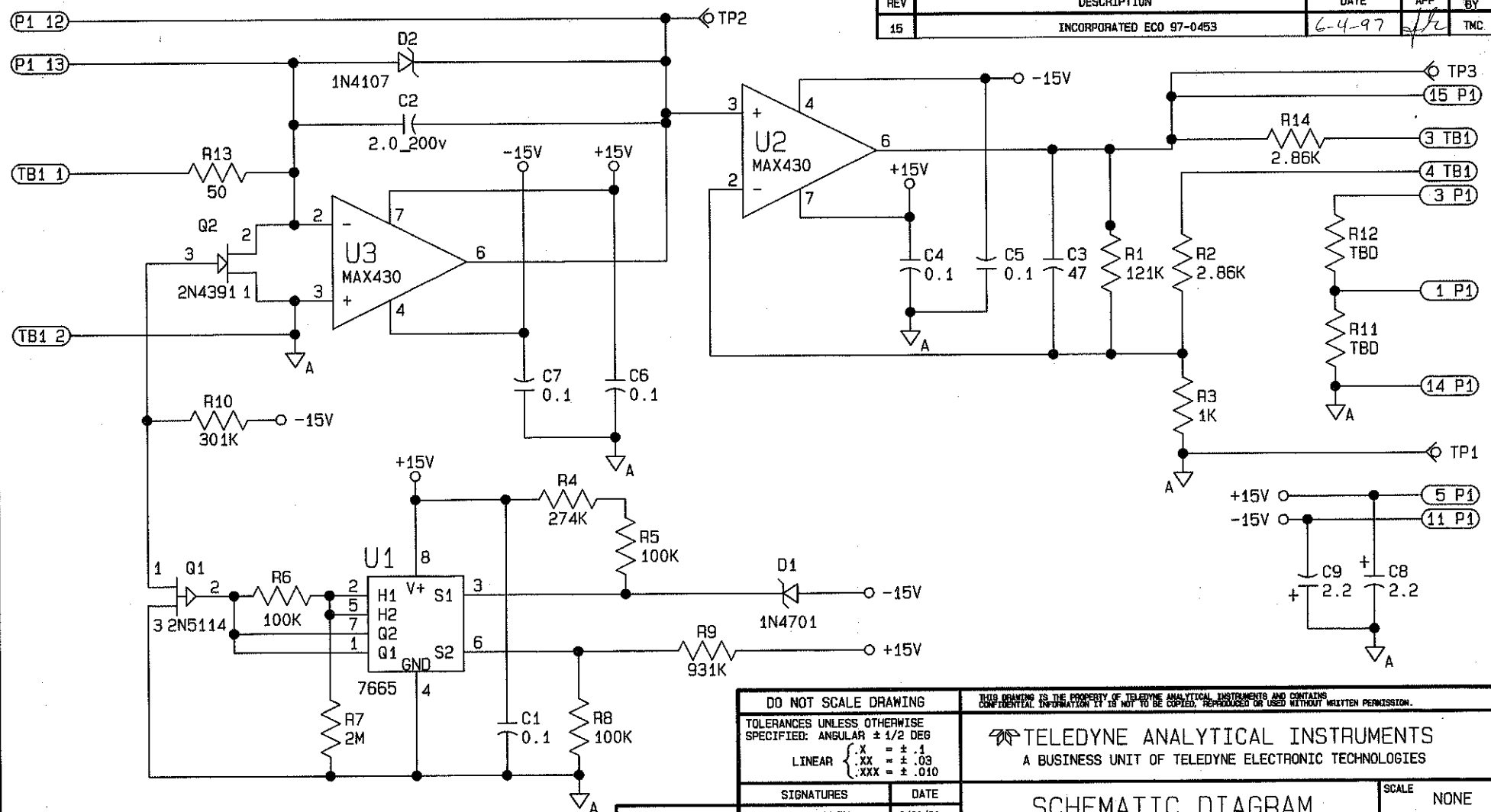


REV	DESCRIPTION	DATE	APP	REV BY
15	INCORPORATED ECO 97-0453	6-4-97	<i>[Signature]</i>	TMC



2. CAPACITANCE VALUES ARE IN MICROFARADS.
50V, +/-10%.
1. RESISTANCE VALUES ARE IN OHMS, 1/8W, +/- 1%.
- NOTES: UNLESS OTHERWISE SPECIFIED

DO NOT SCALE DRAWING	
TOLERANCES UNLESS OTHERWISE SPECIFIED: ANGULAR ± 1/2 DEG	
LINEAR { X = ± .1 XX = ± .03 XXX = ± .010	
SIGNATURES	DATE
N/	DRFT: D. STANLEY 9/20/90
P/	CHK:
I/	APPR:
F/	ENBR:
Q/	S.O.:
REFERENCE	CAD ID: 83215245.SCH

THIS DRAWING IS THE PROPERTY OF TELEDYNE ANALYTICAL INSTRUMENTS AND CONTAINS CONFIDENTIAL INFORMATION IT IS NOT TO BE COPIED, REPRODUCED OR USED WITHOUT WRITTEN PERMISSION.

TELEDYNE ANALYTICAL INSTRUMENTS
A BUSINESS UNIT OF TELEDYNE ELECTRONIC TECHNOLOGIES

**SCHEMATIC DIAGRAM
TRACE 02-ANALYZER
PLUG IN PC BOARD**

SHEET	1 OF 1
SCALE	NONE
SIM	N/A
REV	15
DWG NO.	B- 32152