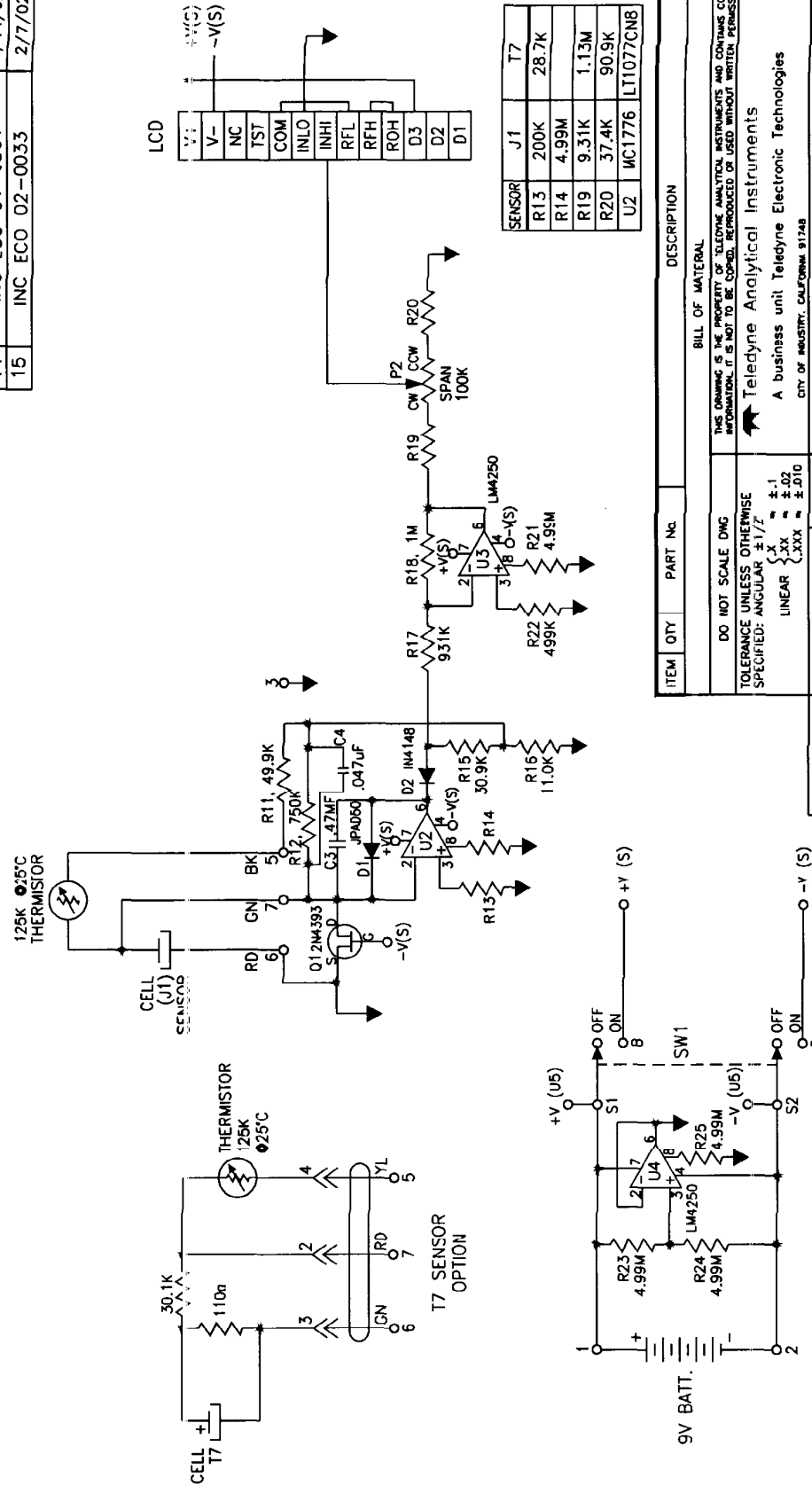


NOTES: UNLESS OTHERWISE SPECIFIED.

REVISIONS			
REV.	DESCRIPTION	DATE	APP. BY
14	INC ECO 01-0361	1/14/02	AA VF
15	INC ECO 02-0033	2/7/02	AA VF



U3,U4: UA776

ITEM	QTY	PART No.	DESCRIPTION
BILL OF MATERIAL			
DO NOT SCALE DWG			
TOLERANCE UNLESS OTHERWISE SPECIFIED: ANGULAR ±1/16"			
LINEAR ±.02			
±.01			
±.005			
±.010			
TITLE			
S/	SIGNATURES		
N/	C-40575B	8/29/96	DATE
V/	DRFT: S. STELEA		
P/	CHK: J.M. LAUER		
O/	APPR: J.M. LAUER		
F/	ENGR: J.M. LAUER		
C.O.: STANDARD			
MATERIAL			
REFERENCE CAD I.D. B40579-15			
SCHEMATIC			SCALE ---
MODEL TED 6CJ, 60T			SIN B-38120
O2 ANALYZER			SHEET 1 OF 1
DWG NO. B-40579			REV 15

THIS DRAWING IS THE PROPERTY OF TELEDYNE ANALYTICAL INSTRUMENTS AND CONTAINS CONFIDENTIAL INFORMATION. IT IS NOT TO BE COPIED, REPRODUCED OR USED WITHOUT WRITTEN PERMISSION.

Teledyne Analytical Instruments
A business unit Teledyne Electronic Technologies
CITY OF INDUSTRY, CALIFORNIA 91748

TELEPHONE: 909-241-1500 FAX: 909-241-1501