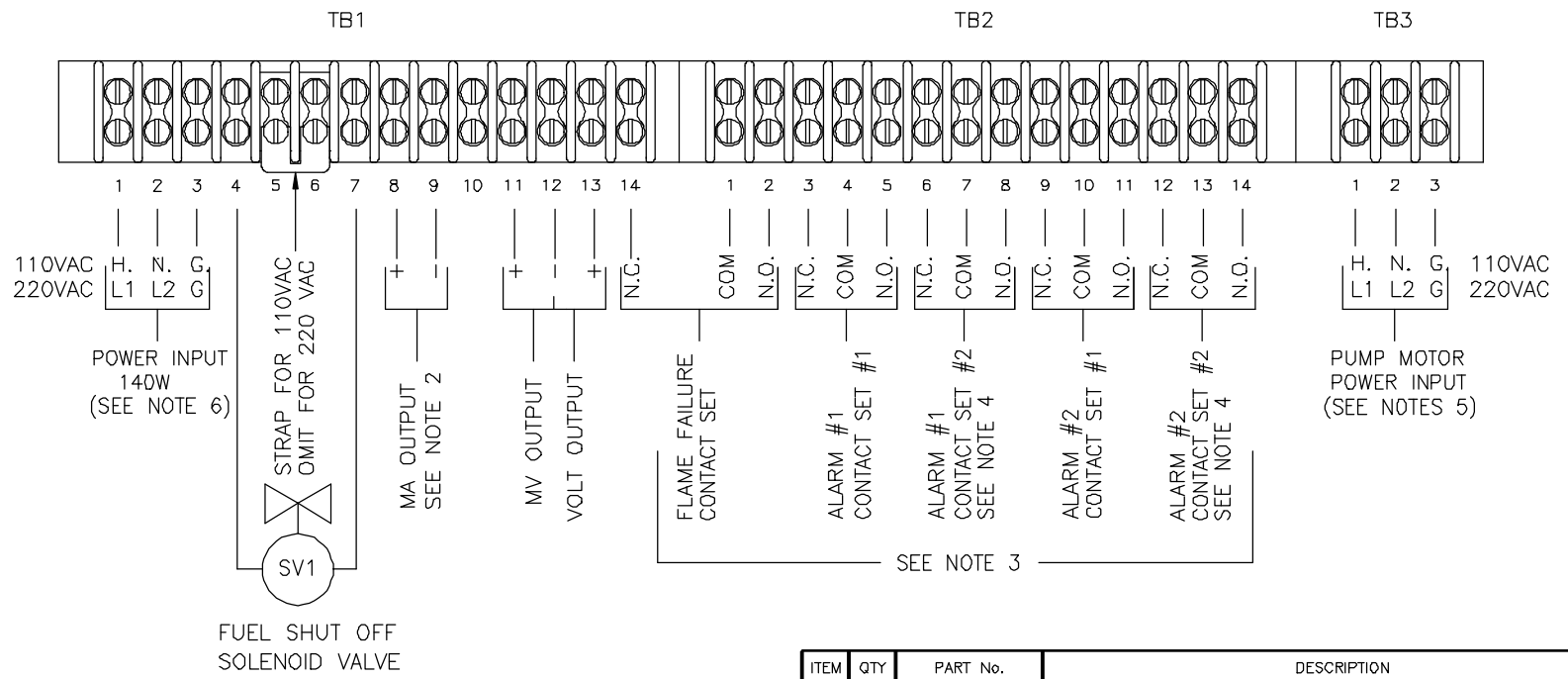


NOTES: UNLESS OTHERWISE SPECIFIED.

REVISIONS				
REV	DESCRIPTION	DATE	APP.	REV. BY
3	ECO# 90-0367	10-30-90	H.H.	



- NOTES:
- STANDARD FEATURES ARE 110VAC INPUT & 0-1 VOLT OUTPUT, OTHER OTHER FEATURES ARE OPTIONAL & ARE ONLY PRESENT WHEN SPECIFIED.
 - EXTERNAL SIGNAL WIRE LOOP RESISTANCE MAY NOT EXCEED 1000 OHMS FOR ISOLATED OR 1500 OHM FOR NEG. GROUNDED OUTPUT.
 - FORM C DRY CONTACTS, RATED 3A AT 30VDC OR 110VAC RESISTIVE.
 - THE SECOND ALARM CONTACT SET IS OMITTED WHEN NOT SPECIFIED AT PURCHASE.
 - MAXIMUM MOTOR CURRENT: 5 AMPERE.
 - WHEN PUMP IS CONNECTED, THE INPUT POWER MUST BE INCREASED BY THE PUMPS POWER RATING.

ITEM	QTY	PART No.	DESCRIPTION
BILL OF MATERIAL			
DO NOT SCALE DWG		THIS DRAWING IS THE PROPERTY OF TELEDYNE ANALYTICAL INSTRUMENTS AND CONTAINS CONFIDENTIAL INFORMATION. IT IS NOT TO BE COPIED, REPRODUCED OR USED WITHOUT WRITTEN PERMISSION.	
TOLERANCE UNLESS OTHERWISE SPECIFIED: ANGULAR ±1/2°		Teledyne Analytical Instruments A business unit of Teledyne Electronic Technologies CITY OF INDUSTRY, CALIFORNIA 91748	
LINEAR { X = ±.1 XX = ±.02 XXX = ±.010			
S/ SIGNATURES DATE			
N/ DRFT: WING T CHOW	4-21-97	TITLE MODEL 402 19" RACK INPUT-OUTPUT DIAGRAM	
V/ CHK:			
P/ APPR:			
O/ ENGR:			
F/ S.O.:		MATL. DWG NO. B-43384 REV 3	
REFERENCE CAD I.D. B43384-3			