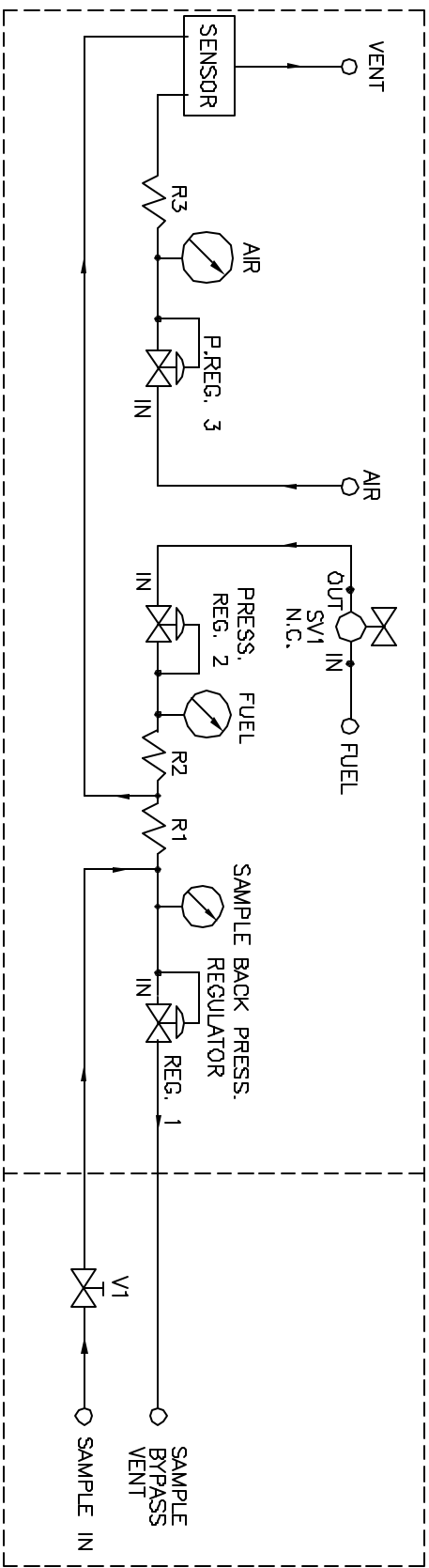


NOTES: UNLESS OTHERWISE SPECIFIED,
 1) MAXIMUM INLET PRESSURE IS 80 PSIG.
 PREFERRED INLET PRESSURE IS 40 PSIG



REVISIONS				
REV.	DESCRIPTION	DATE	APP. BY	REV.
0	ECO #95-262	8/6/95	VMC	--
1	INC ECO 98-0296	6/11/98	WTC	VF

ITEM	QTY	PART No.	DESCRIPTION
BILL OF MATERIAL			
DO NOT SCALE DWG			
TOLERANCE UNLESS OTHERWISE SPECIFIED: ANGULAR ±1/2" ±1			
LINEAR { .XX = ±.02 .XXX = ±.010			
SIGNATURES		DATE	
S/			
N/ D-63450C	DRFT: VCRUZ		6/6/95
V/	CHK:		
P/	APPR:		
O/	ENGR: VMC		
F/	S.O.:		
REFERENCE	QAD I.D. 884543-1		

TITLE		SCALE	
MDL. 402 19" RACK		NTS	
PIPING DIAGRAM, ALL GASES		S/M	
WITHOUT CONTROL MODULE		SHEET 1 OF 1	
MATERIAL		DWG NO. B-64543	
		REV 1	

TELEDYNE ELECTRONIC TECHNOLOGIES
 Analytical Instruments
 a registered trademark company
 CITY OF INDIANAPOLIS, INDIANA 46248