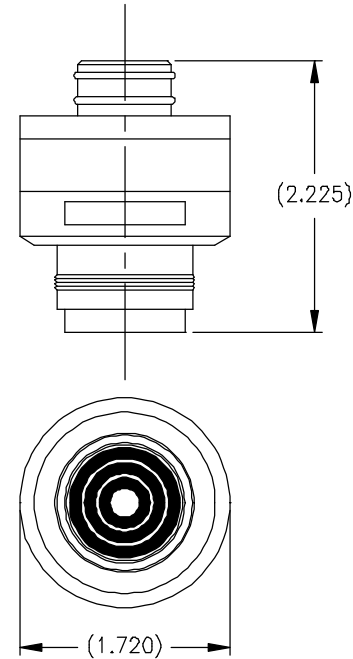



NOTES: UNLESS OTHERWISE SPECIFIED.

REVISIONS				
REV	DESCRIPTION	DATE	APP.	REV. BY
0	IR PER ECO# 01-0053	3/20/01	MG	--

SPECIFICATIONS	
(IN AIR AT 25°C, 1013 mBAR)	
<b>OUTPUT:</b>	12.0-18.4 mV (WITH A 309-OHM LOAD) SINGLE CATHODE
<b>90% RESPONSE TIME:</b>	< 15 SECONDS
<b>LINEARITY:</b>	±2% OF FULL SCALE
<b>RANGE:</b>	0 TO 100% OXYGEN
<b>EXPECTED LIFE:</b>	>1,000,000% O2 HOURS
<b>OPERATING TEMPERATURE:</b>	5°C TO 40° C
<b>STORAGE TEMPERATURE:</b>	-15°C TO 50°C
<b>LIMITED WARRANTY:</b>	EIGHTEEN (18) MONTHS (FROM DATE OF SHIPMENT)
<b>REPLACEMENT FOR:</b>	N.A. DRAGER, NARKOMED SERIES
<b>WEIGHT</b>	2.65 OZ (75.3 g)



DO NOT SCALE DWG		THIS DRAWING IS THE PROPERTY OF TELEDYNE ANALYTICAL INSTRUMENTS AND CONTAINS CONFIDENTIAL INFORMATION. IT IS NOT TO BE COPIED, REPRODUCED OR USED WITHOUT WRITTEN PERMISSION.	
TOLERANCE UNLESS OTHERWISE SPECIFIED: ANGULAR ±1/2°		 Teledyne Analytical Instruments A business unit of Teledyne Electronic Technologies CITY OF INDUSTRY, CALIFORNIA 91748	
LINEAR    { .X    = ±.1 { .XX    = ±.02 { .XXX   = ±.010		TITLE SPEC CONTROL DRAWING OXYGEN SENSOR CLASS R-31MED	
S/	SIGNATURES	DATE	SCALE NONE
N/	DRFT: JOHN REYES	02/17/01	SIM B-73465
I/	CHK:		SHEET 1 OF 1
P/	APPR:		
O/	ENGR: MICHAEL GONZALEZ		
F/	C.O.: STAANDARD		
REFERENCE	CAD I.D. B73462-0		
MATERIAL: NONE		DWG NO. <b>B-73462</b>	
		REV <b>0</b>	