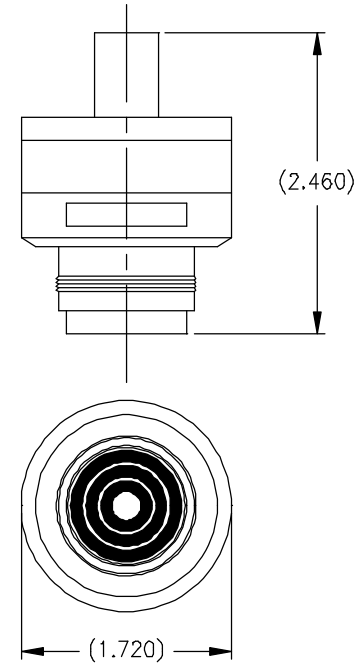


NOTES: UNLESS OTHERWISE SPECIFIED.

REVISIONS				
REV	DESCRIPTION	DATE	APP.	REV. BY
0	IR PER ECO# 01-0053	3/20/01	MG	--

SPECIFICATIONS	
(IN AIR AT 25°C, 1013 mBAR)	
<b>OUTPUT:</b>	12.0-18.4 mV (WITH A 309-OHM LOAD) SINGLE CATHODE
<b>90% RESPONSE TIME:</b>	< 15 SECONDS
<b>LINEARITY:</b>	±2% OF FULL SCALE
<b>RANGE:</b>	0 TO 100% OXYGEN
<b>EXPECTED LIFE:</b>	>1,000,000% O2 HOURS
<b>OPERATING TEMPERATURE:</b>	5°C TO 40° C
<b>STORAGE TEMPERATURE:</b>	-15°C TO 50°C
<b>LIMITED WARRANTY:</b>	EIGHTEEN (18) MONTHS (FROM DATE OF SHIPMENT)
<b>REPLACEMENT FOR:</b>	OHMEDA: MODULUS & EXCEL SERIES (GMS ABSORBER) AND 5120 O2 MONITOR
<b>WEIGHT</b>	2.58 OZ (73.1g)



DO NOT SCALE DWG		THIS DRAWING IS THE PROPERTY OF TELEDYNE ANALYTICAL INSTRUMENTS AND CONTAINS CONFIDENTIAL INFORMATION. IT IS NOT TO BE COPIED, REPRODUCED OR USED WITHOUT WRITTEN PERMISSION.	
TOLERANCE UNLESS OTHERWISE SPECIFIED: ANGULAR ±1/2°		 Teledyne Analytical Instruments A business unit of Teledyne Electronic Technologies CITY OF INDUSTRY, CALIFORNIA 91748	
LINEAR { <ul style="list-style-type: none"> <li>.X = ±.1</li> <li>.XX = ±.02</li> <li>.XXX = ±.010</li> </ul>			
S/	SIGNATURES	DATE	TITLE
N/	DRFT: JOHN REYES	02/17/01	SCALE NONE SIM NONE SHEET 1 OF 1 SPEC CONTROL DRAWING OXYGEN SENSOR CLASS R-32MED
I/	CHK:		
P/	APPR:		
D/	ENGR: MICHAEL GONZALEZ		
F/	C.O.: STAANDARD		
REFERENCE	CAD I.D. B73465-0		MATL. NONE DWG NO. <b>B-73465</b> REV 0