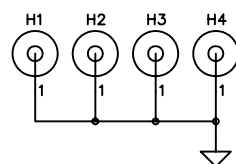
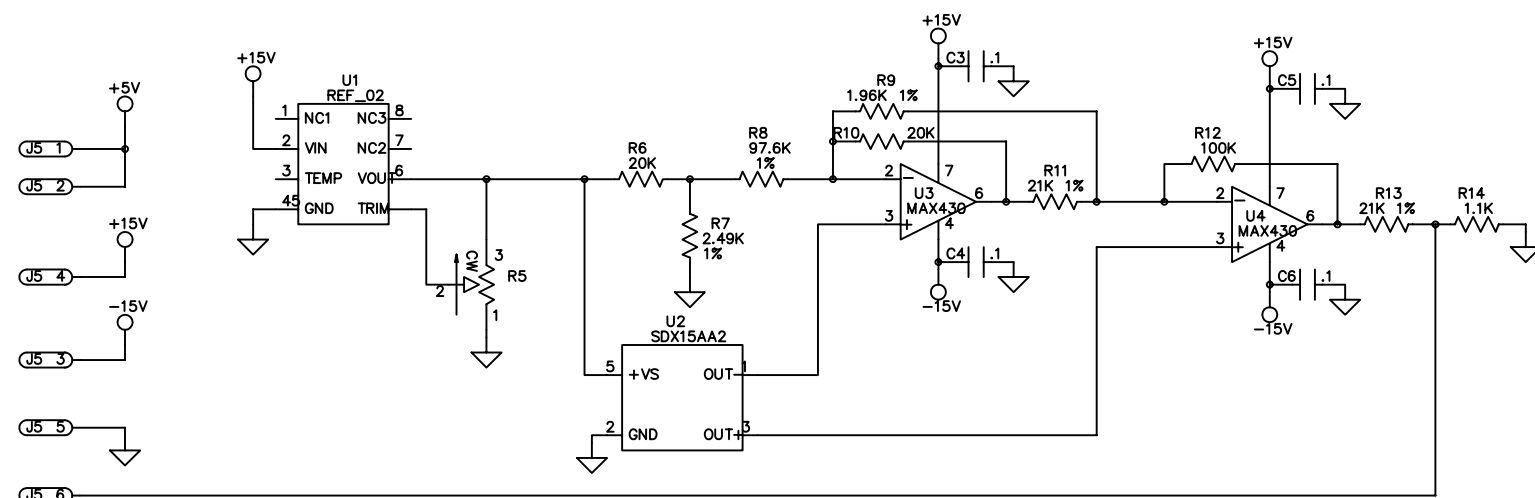
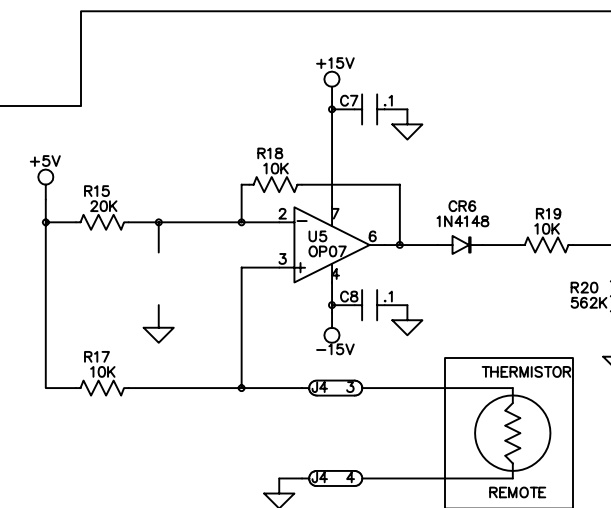
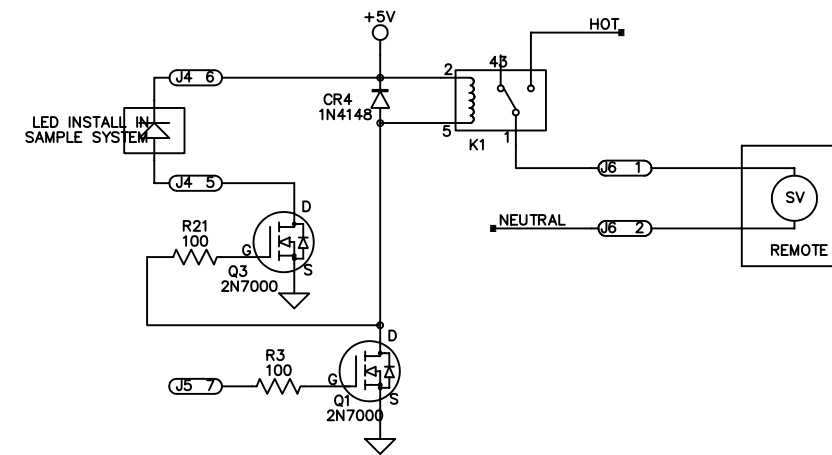
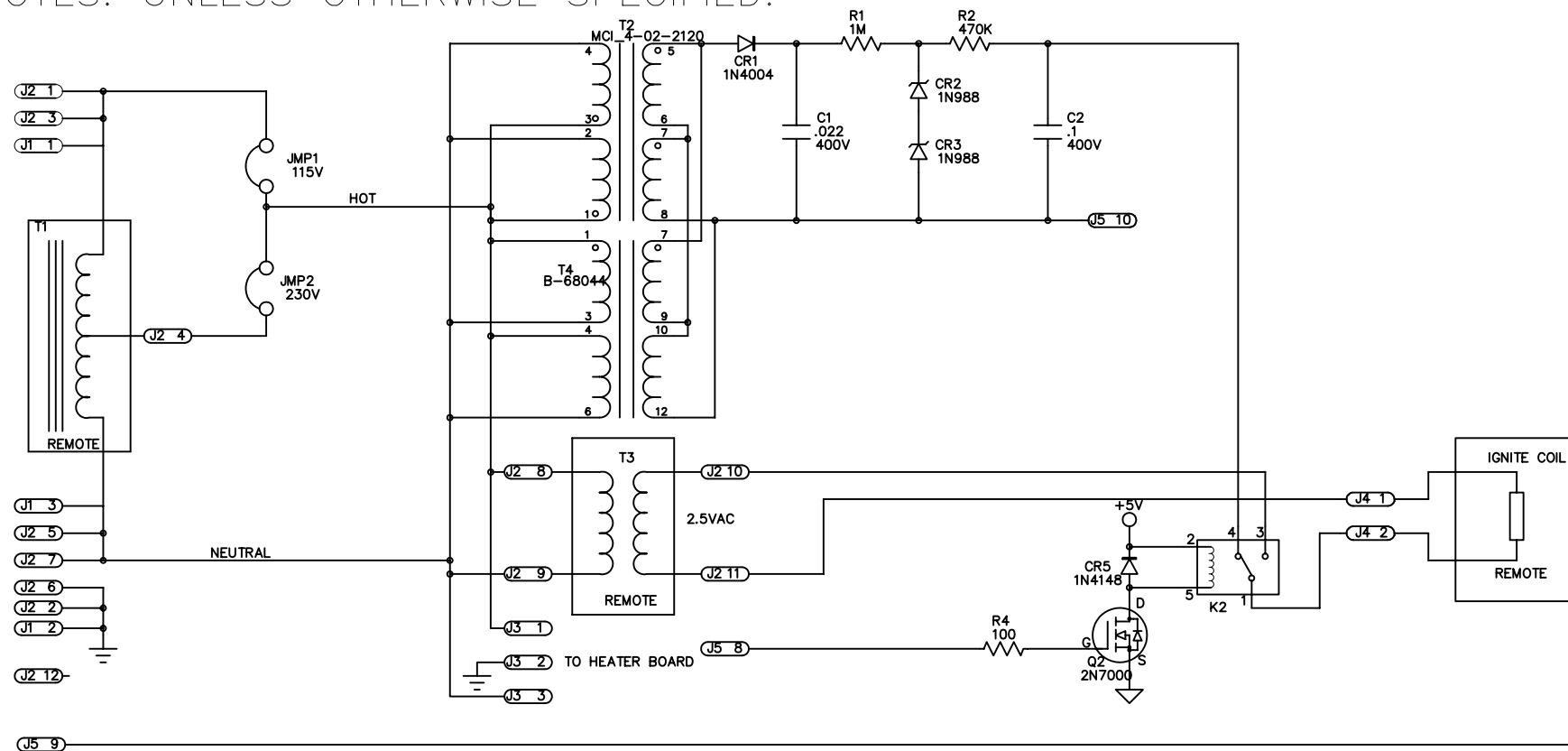


NOTES: UNLESS OTHERWISE SPECIFIED.

REVISIONS				
REV	DESCRIPTION	DATE	APP.	REV. BY
1	ADD Q3, MOVE 'HOT'	4/12/04	QD	RLM
2	ADD R20 AND R21	3/3/05	QD	RLM



ITEM	QTY	PART No.	DESCRIPTION	
BILL OF MATERIAL				
DO NOT SCALE DWG		THIS DRAWING IS THE PROPERTY OF TELEDYNE INSTRUMENTS AND CONTAINS CONFIDENTIAL INFORMATION. IT IS NOT TO BE COPIED, REPRODUCED OR USED WITHOUT WRITTEN PERMISSION.		
TOLERANCE UNLESS OTHERWISE SPECIFIED: ANGULAR $\pm 1/2^\circ$		TELEDYNE INSTRUMENTS Analytical Instruments A Teledyne Technologies Company City of Industry, California, 91748, USA		
LINEAR				.X = $\pm .1$
				.XX = $\pm .02$
		.XXX = $\pm .010$		
S/	SIGNATURES	DATE	TITLE	
N/	DRFT: R. MILVERSTED	7/15/03	SCHEMATIC DIAGRAM IGNITION/PSI COMP BOARD MODEL 4020	
I/	CHK:			SCALE N/A
P/	APPR:			SIM
O/	ENGR: QUYEN DANG			SHEET 1 OF 1
F/	C.O.:		MATL. N/A	
REFERENCE	CAD I.D. B74672-2		DWG NO. B-74672	
			REV 2	