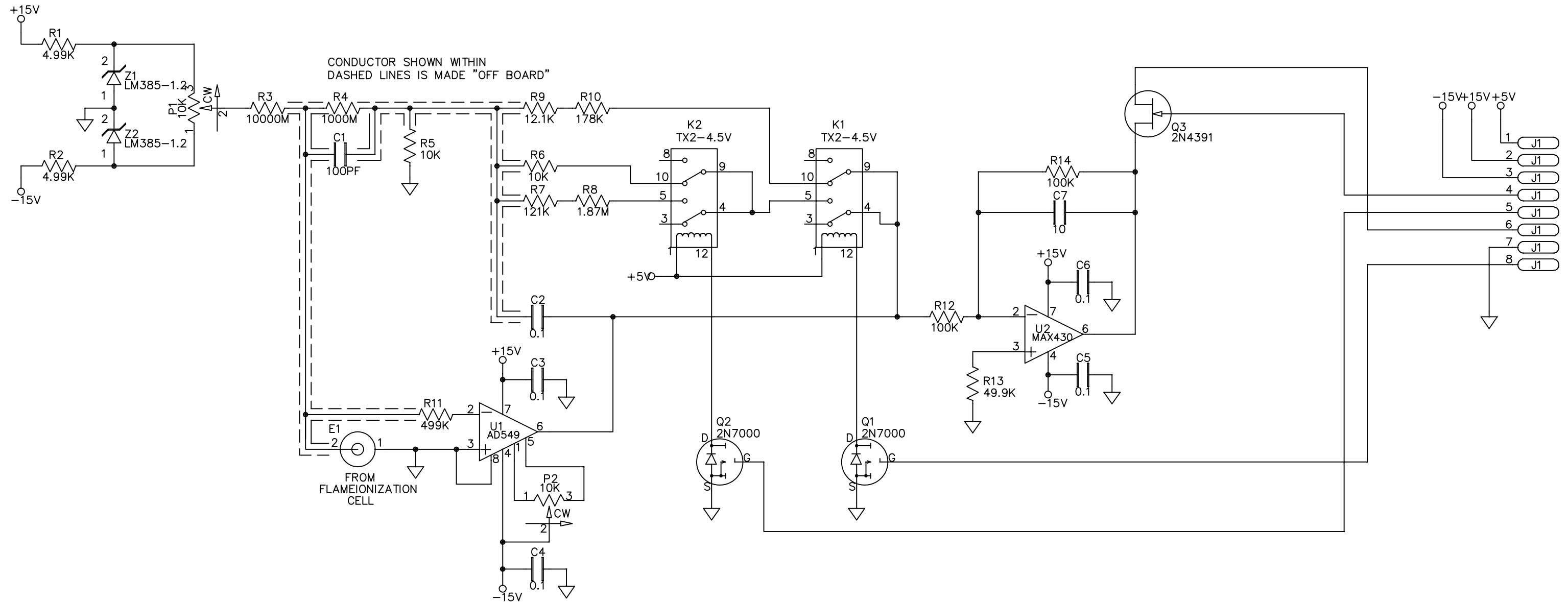


NOTES: UNLESS OTHERWISE SPECIFIED.

REVISIONS				
REV	DESCRIPTION	DATE	APP.	REV. BY
0	INC ECO 04-0050	4/29/04	RLM	--



RESISTOR VALUES FOR CONFIGURATIONS

(TOLERANCES: R3, R4: ±5%, R14: ±1%)

MODEL	RANGES	R3	R4	R14
4020	1PPM, 10PPM, 100PPM	10G	1G	100K
4020	10PPM, 100PPM, 1000PPM	1000M	100M	30.1K
4040	10PPM, 100PPM, 1000PPM	100G	10G	200K
4040	100PPM, 1000PPM, 10000PPM	100G	10G	20K
4060	100PPB, 1PPM, 10PPM	10G	1G	100K
4080	10PPM, 100PPM, 1000PPM	1000M	100M	100K

ITEM	QTY	PART No.	DESCRIPTION
BILL OF MATERIAL			
DO NOT SCALE DWG		THIS DRAWING IS THE PROPERTY OF TELEDYNE INSTRUMENTS AND CONTAINS CONFIDENTIAL INFORMATION. IT IS NOT TO BE COPIED, REPRODUCED OR USED WITHOUT WRITTEN PERMISSION.	
TOLERANCE UNLESS OTHERWISE SPECIFIED: ANGULAR ±1/2°		<b>TELEDYNE INSTRUMENTS</b> Analytical Instruments A Teledyne Technologies Company City of Industry, California, 91748, USA	
LINEAR { <ul style="list-style-type: none"> <li>.X = ±.1</li> <li>.XX = ±.02</li> <li>.XXX = ±.010</li> </ul>			
S/	SIGNATURES	DATE	TITLE
N/	DRFT: R. MILVERSTED	7/22/03	SCHEMATIC DIAGRAM ELECTROMETER BOARD MODEL 4020
I/	CHK:		
P/	APPR:		
O/	ENGR: QUYEN DANG		
F/	C.O.:		
REFERENCE	CAD I.D. B74678-0		
		MATL.	N/A
		DWG NO.	B-74678
		REV	0
			SCALE N/A
			SIM NONE
			SHEET 1 OF 1