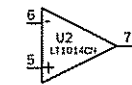
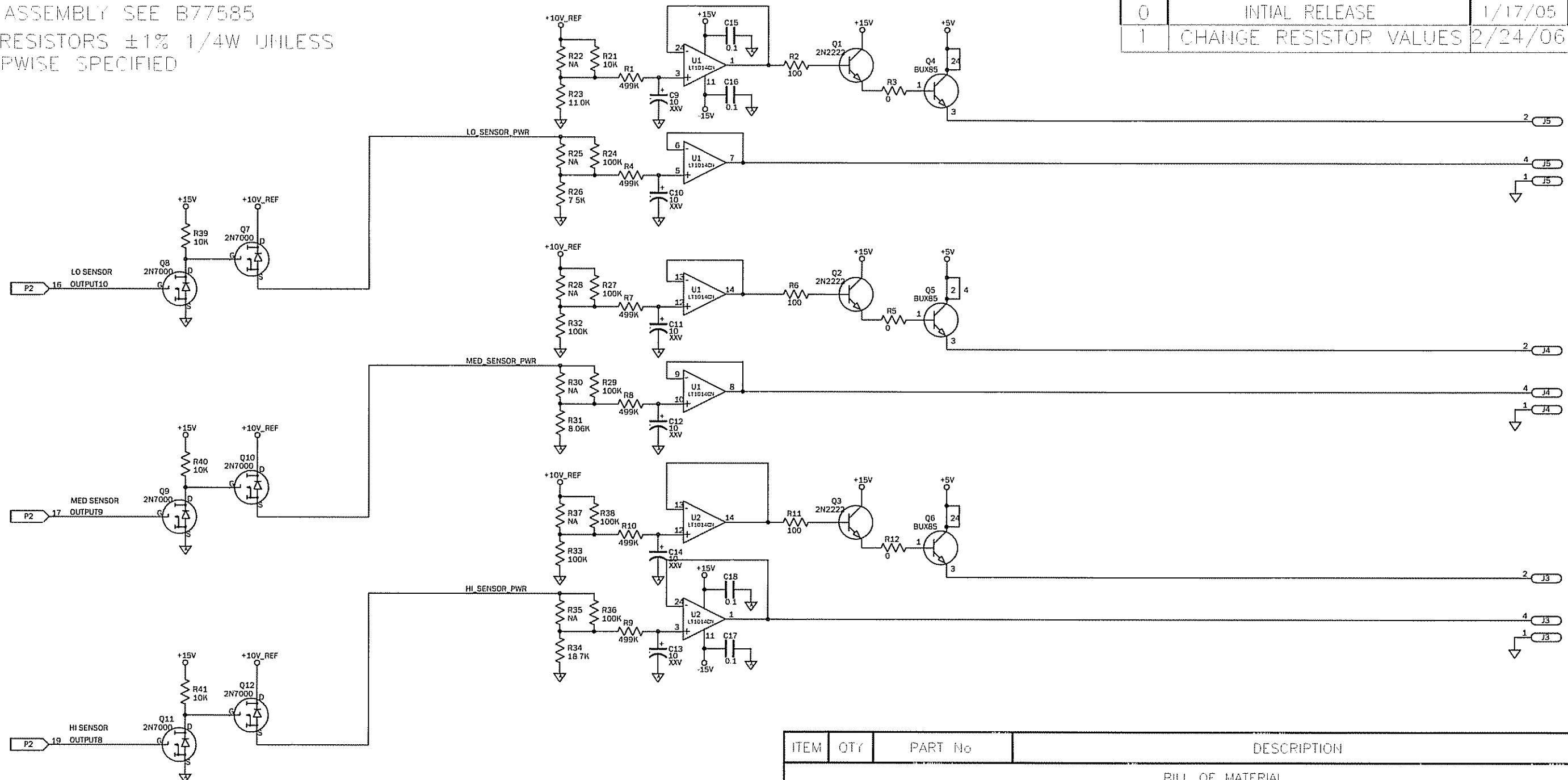


NOTES: UNLESS OTHERWISE SPECIFIED.

- FOR ASSEMBLY SEE B77585
- ALL RESISTORS  $\pm 1\%$  1/4W UNLESS OTHERWISE SPECIFIED

REVISIONS				
REV	DESCRIPTION	DATE	APP	REV B7
0	INITIAL RELEASE	1/17/05	RLM	--
1	CHANGE RESISTOR VALUES	2/24/06	A.A.	



ITEM	QTY	PART NO	DESCRIPTION
BILL OF MATERIAL			
DO NOT SCALE DWG		THIS DRAWING IS THE PROPERTY OF TELEDYNE INSTRUMENTS AND CONTAINS CONFIDENTIAL INFORMATION. IT IS NOT TO BE COPIED, REPRODUCED OR USED WITHOUT WRITTEN PERMISSION.	
TOLERANCE UNLESS OTHERWISE SPECIFIED: ANGULAR $\pm 1/2^\circ$		<b>TELEDYNE INSTRUMENTS</b> Analytical Instruments A Teledyne Technologies Company City of Industry, California, 91748, USA	
LINEAR ( X = $\pm 1$			
( XX = $\pm 0.2$			
( XXX = $\pm 0.10$			
S/	SIGNATURES	DATE	TITLE
N/	DRFT: R MILVERSTED	1/17/05	SCHEMATIC DIAGRAM 3000ZA PREAMP BOARD MULTI-SENSOR
I/	CHK:		
P/	APPR:		
O/	ENGR: ROB MILVERSTED		
F/	CO: 074325		
REFERENCE	CAD ID B77584-1		MATL N/A
			DWG NO B-77584
			REV 1
			SCALE NONE
			SIM N/A
			SHEET 1 OF 2

