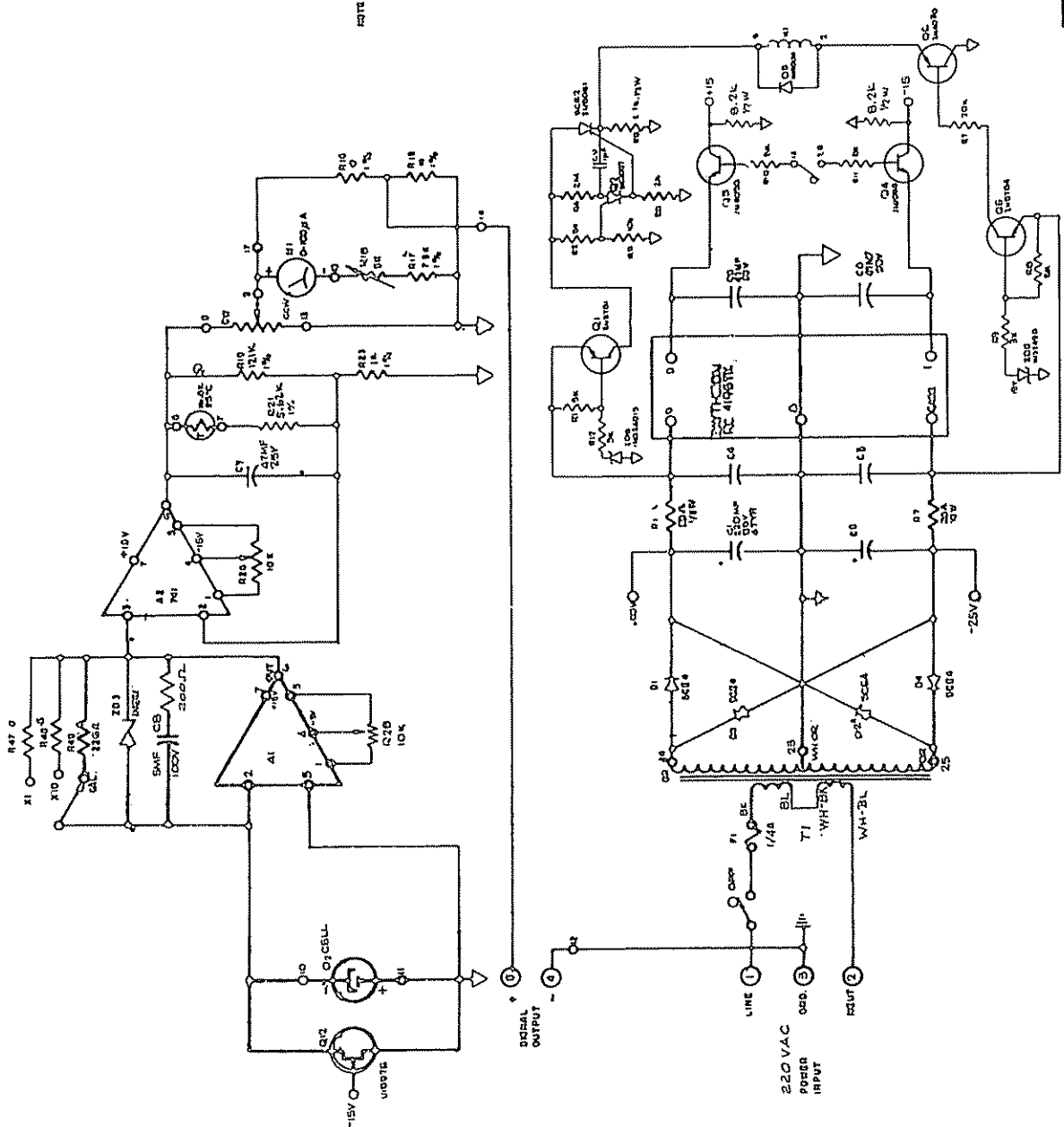


ISSUE NO.	REV.
1, 1-12-77	CP
2, PER FOR CCO - 1/10/81	9
3, 6-22-79	
4, 8-27-80	
5, 7-18-81	11C

NOTE: RESISTORS MARKED O ARE SELECTED FOR APPLICATION.



ANALYTICAL INSTRUMENTS
 2 PATENT OFFICES
 SAN JOSE, CALIFORNIA

TRACE OXYGEN ANALYZER
 MDL 315 X 220 VAC

SCHEMATIC
 C-15887

ANALYST'S NAME: _____
 ANALYST'S ID: _____
 DATE: _____
 DRAWN BY: _____
 CHECKED BY: _____
 SCALE: _____