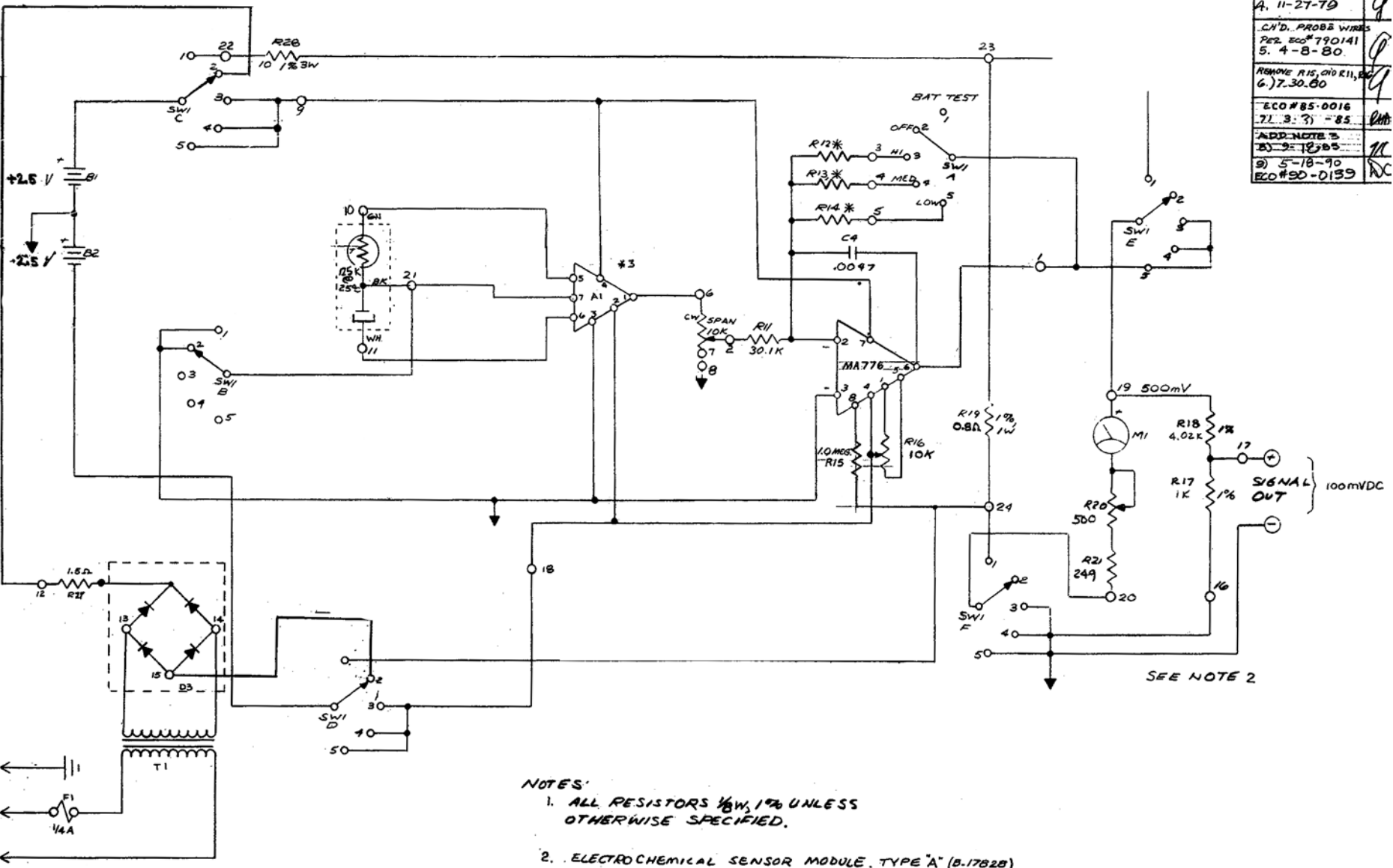


ISSUE NO.	APP.
1 2-8-79	RU
2 4-1-79	RU
ECO# 790020	RU
3 4-25-79	RU
PROBE WIRES PER ECO# 79014	RU
4 11-27-79	RU
CH'D. PROBE WIRES PER ECO# 79014	RU
5 4-8-80	RU
REMOVE R15, CHD R11, R16	RU
6 7-30-80	RU
ECO# 85-0016	RU
7 1-3-85	RU
ADD NOTE 3	RU
8 9-18-85	RU
9 5-18-90	RU
ECO# 90-0139	RU



105-125V
50-60HZ
POWER INPUT

- NOTES:
1. ALL RESISTORS 1/8W, 1% UNLESS OTHERWISE SPECIFIED.
 2. ELECTROCHEMICAL SENSOR MODULE, TYPE "A" (B-17828)
 3. * DENOTES SELECTED PER APPLICATION.

SEE NOTE 2

THIS DRAWING IS THE PROPERTY OF TELEDYNE ANALYTICAL INSTRUMENTS AND CONTAINS CONFIDENTIAL INFORMATION. IT IS NOT TO BE COPIED, REPRODUCED OR USED WITHOUT WRITTEN PERMISSION.

TOLERANCE UNLESS OTHERWISE SPECIFIED	FRACT. & 1/8"	DEC. 2-008	ANGULAR & 1/2°
TELEDYNE ANALYTICAL INSTRUMENTS SAN GABRIEL, CALIFORNIA		SCALE	DATE 2-8-79
MDL. 340 B/RC OXYGEN ANALYZER SCHEMATIC		MATL	FINISH
DR RU	ENGR BJA	APP	

C-20114