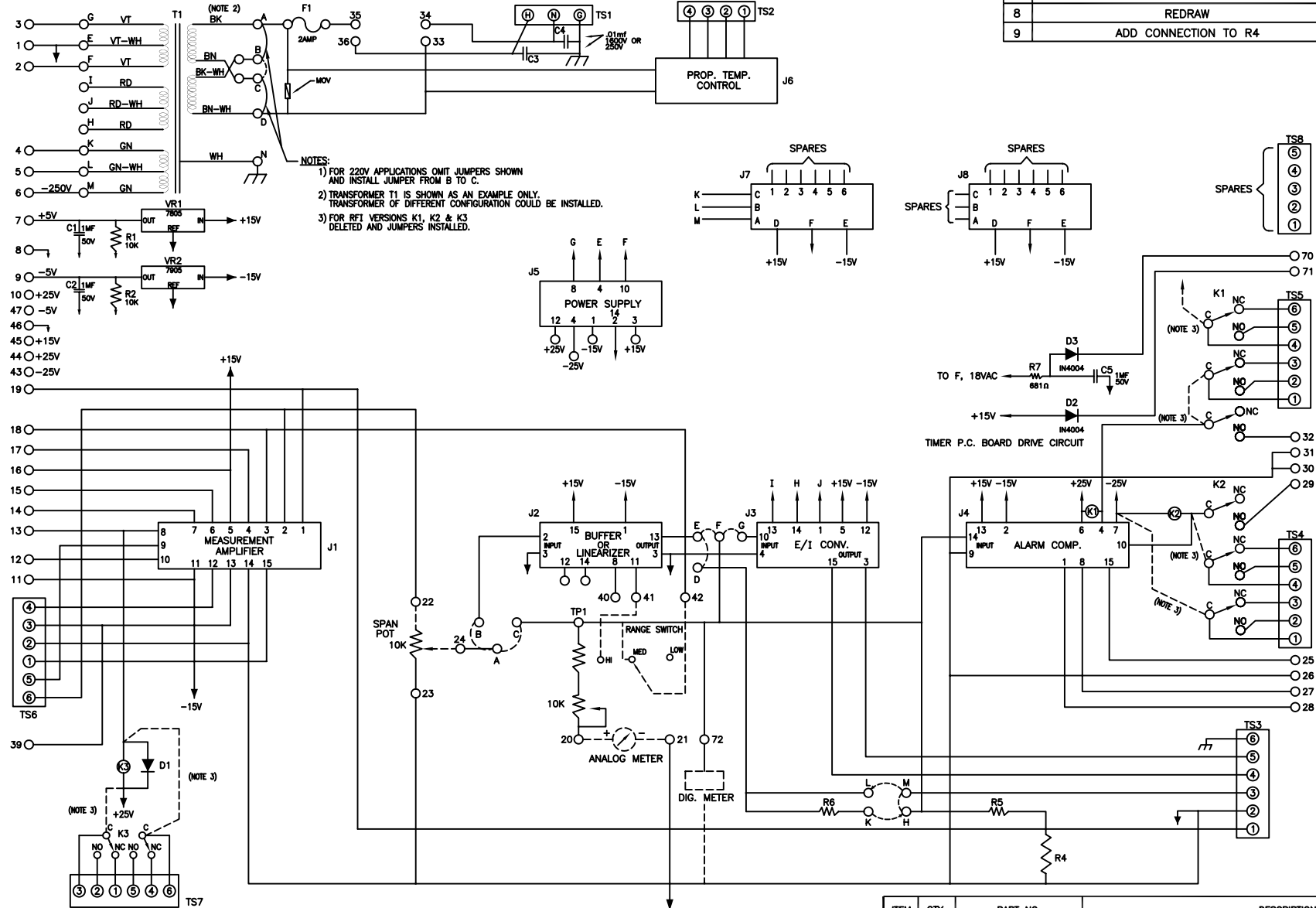


NOTES: UNLESS OTHERWISE SPECIFIED.

REVISIONS				
REV	DESCRIPTION	DATE	APP.	REV. BY
8	REDRAW	12-21-92	JAG	---
9	ADD CONNECTION TO R4	10-25-93	DS	M.V.



- NOTES:
- 1) FOR 220V APPLICATIONS OMIT JUMPERS SHOWN AND INSTALL JUMPER FROM B TO C.
 - 2) TRANSFORMER T1 IS SHOWN AS AN EXAMPLE ONLY. TRANSFORMER OF DIFFERENT CONFIGURATION COULD BE INSTALLED.
 - 3) FOR RFI VERSIONS K1, K2 & K3 DELETED AND JUMPERS INSTALLED.

ITEM	QTY	PART NO.	DESCRIPTION
BILL OF MATERIAL			
DO NOT SCALE DWG		THIS DRAWING IS THE PROPERTY OF TELEDYNE ANALYTICAL INSTRUMENTS AND CONTAINS CONFIDENTIAL INFORMATION. IT IS NOT TO BE COPIED, REPRODUCED OR USED WITHOUT WRITTEN PERMISSION.	
TOLERANCE UNLESS OTHERWISE SPECIFIED: ANGULAR ±1/2°		 TELEDYNE ELECTRONIC TECHNOLOGIES Analytical Instruments An Alcatel Telecommunications Company CITY OF INDUSTRY, CALIFORNIA 91748	
LINEAR .XX = ±.1			
.XXX = ±.005			
S/	SIGNATURES	DATE	TITLE
I/	DRFT: <i>Maritza</i>	3/21/96	UNIVERSAL MOTHER P.C. BOARD SCHEMATIC DIAGRAM
N/	CHK: <i>Vig</i>	3/21/96	
P/	APPR:		
O/	ENGR:		
F/	S.O.		
REFERENCE	CAD ID C31945-9		
			SCALE ---
			SIM
			SHEET 1 OF 1
			REV 9