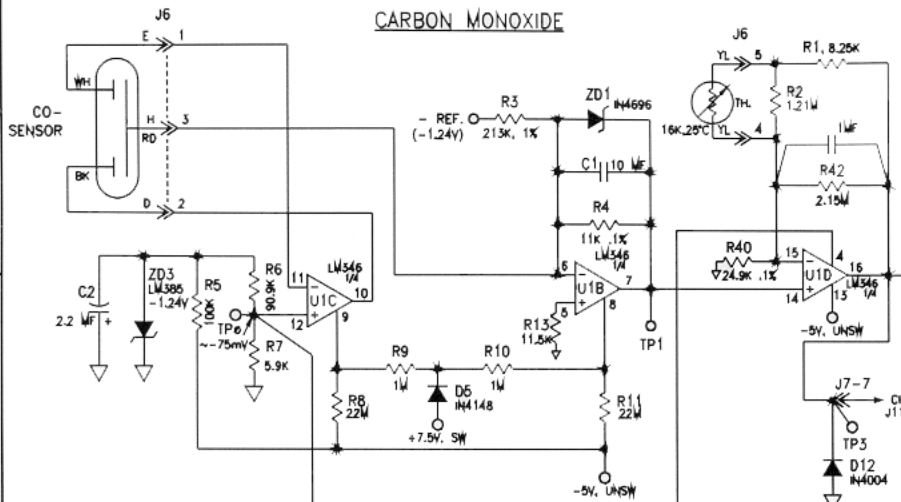
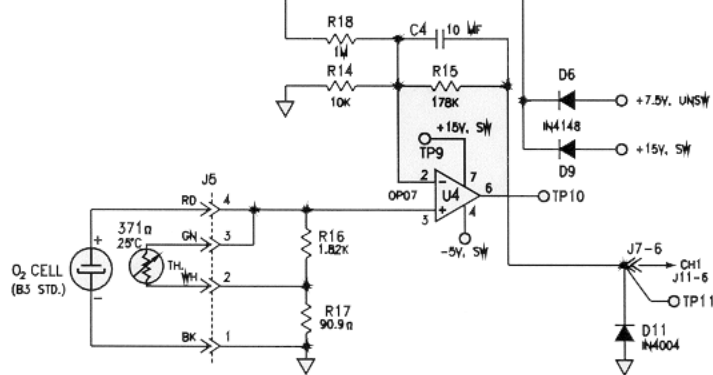


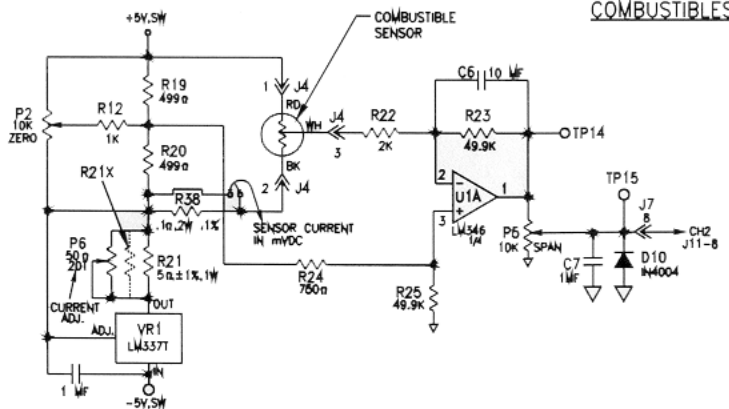
CARBON MONOXIDE



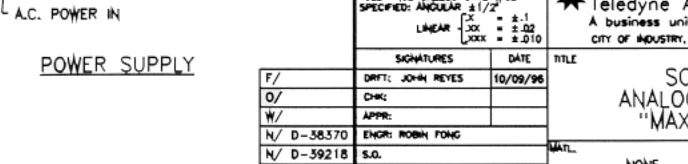
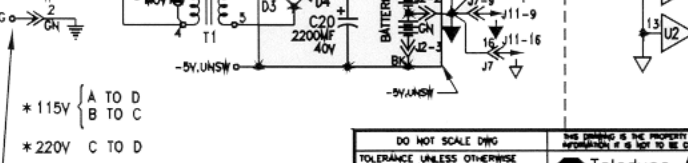
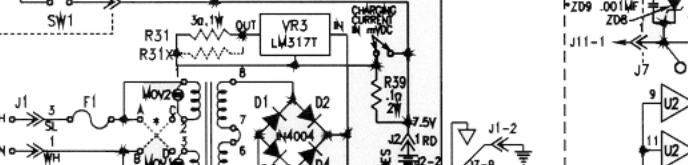
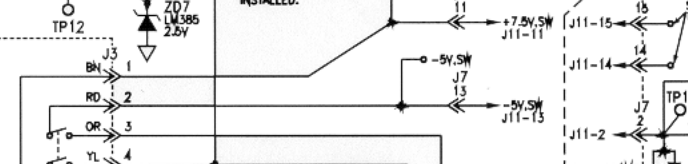
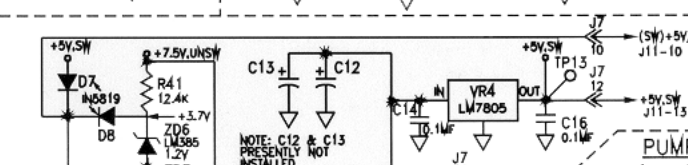
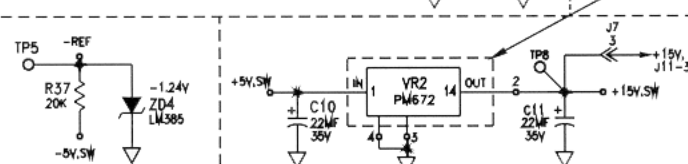
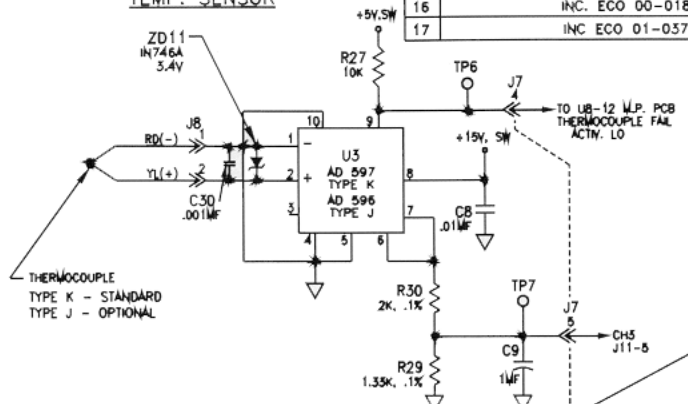
OXYGEN



COMBUSTIBLES



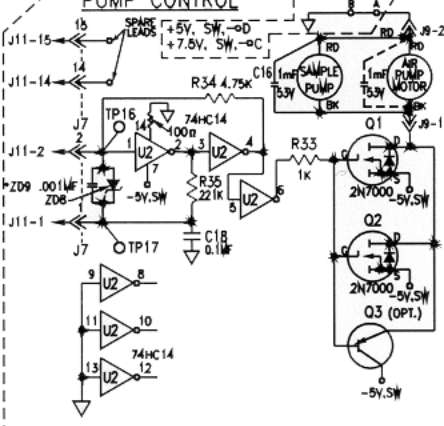
TEMP. SENSOR



REVISIONS				
REV	DESCRIPTION	DATE	APP.	REV.
16	INC. ECO 00-0189	5/12/00	AA	DC
17	INC ECO 01-0373	4/30/02	AA	VF

COMPONENT PM672 IS NOT INSTALLED AT LOCATION VR2 ON PC BOARD, IT IS EPOXYED TO THE PC BOARD AT ANOTHER LOCATION WITH WIRES RUNNING TO IT FROM PADS AT VR2.

PUMP CONTROL



DO NOT SCALE DIMS		ALL DIMENSIONS ARE THE PROPERTY OF RELIABLE ANALYTICAL EQUIPMENT AND COMPANY. CONSTRUCTION IS NOT TO BE CONSIDERED A TRADE SECRET.	
TOLERANCE UNLESS OTHERWISE SPECIFIED: ANGULAR ±1/2°		Teledyne Analytical Instruments A business unit of Teledyne Electronic Technologies CITY OF INDUSTRY, CALIFORNIA 91748	
LINEAR ±.01		SCALE NONE	
±.005		SHEET 1 OF 1	
±.002		REV 17	
±.010		DWG NO. C-40162	
SIGNATURES		DATE	
DRFT: JOHN REYES		10/09/96	
CHK:			
APPR:			
ENGR: ROBIN FONG			
S.O.			
CAD NO: C40162-17			
REFERENCE		TITLE	
		SCHEMATIC ANALOG PC BOARD "MAX" MONITOR	
F/		SCALE NONE	
O/		SHEET 1 OF 1	
W/		REV 17	
N/ D-58370		DWG NO. C-40162	
N/ D-59218		REV 17	

POWER SUPPLY

* 115V A TO D
* 220V C TO D
A.C. POWER IN