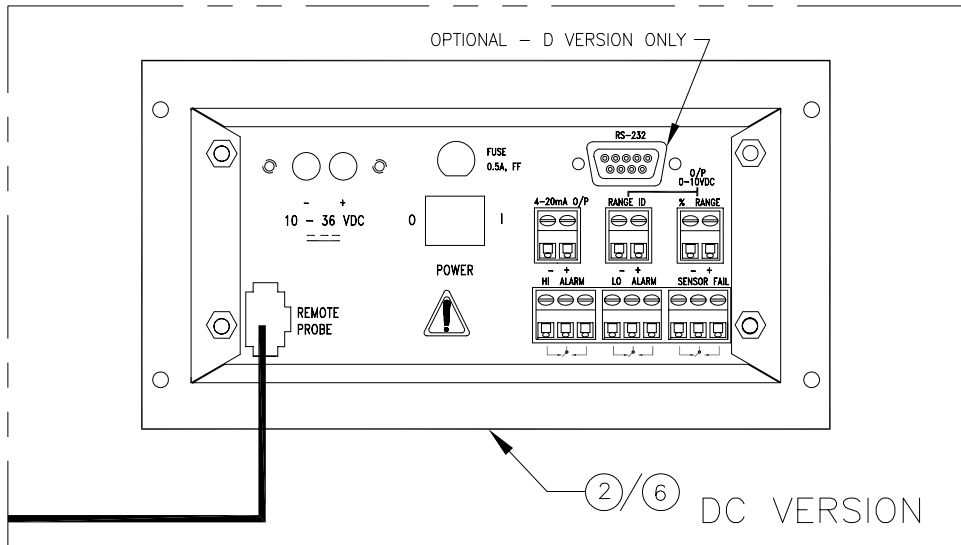
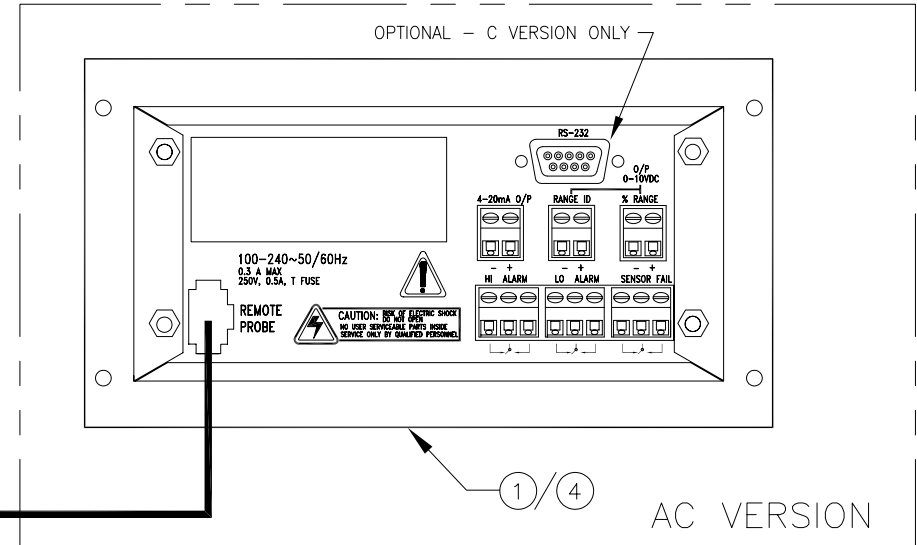
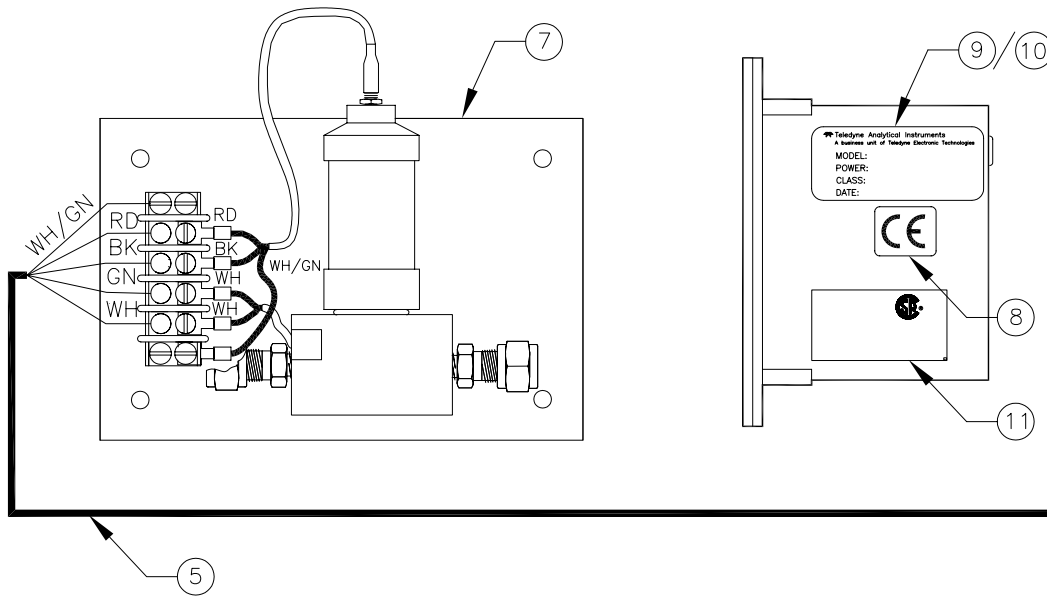


NOTES: UNLESS OTHERWISE SPECIFIED.

- ITEM 3, AC POWER CORD NOT SHOWN.
- PLACE ITEM 2 (NOT SHOWN) IN A PLASTIC BAG, THEN PACK WITH THE CONTROL UNIT FOR SHIPPING

REVISIONS				
REV	DESCRIPTION	DATE	APP.	REV. BY
7	INC ECO 96-937	8/22/96	A.A	VF
8	INC ECO 96-1172	11/20/96	MN	VF



ITEM	QTY	PART NO.	DESCRIPTION	
BILL OF MATERIAL				
DO NOT SCALE DWG		THIS DRAWING IS THE PROPERTY OF TELEDYNE ANALYTICAL INSTRUMENTS AND CONTAINS CONFIDENTIAL INFORMATION. IT IS NOT TO BE COPIED, REPRODUCED OR USED WITHOUT WRITTEN PERMISSION.		
TOLERANCE UNLESS OTHERWISE SPECIFIED: ANGULAR $\pm 1/2^\circ$		 Teledyne Analytical Instruments A business unit of Teledyne Electronic Technologies CITY OF INDUSTRY, CALIFORNIA 91748		
LINEAR				\square \pm \square \pm \square \pm
SIGNATURES				DATE
I/	DRFT: MANN NGUYEN	8-24-95	TITLE	
N/	CHK:		SCALE NONE	
P/	APPR:		SIM	
O/ C-64771	ENGR:		SHEET 1 OF 1	
F/	S.O.		REV 8	
REFERENCE	CAD ID C64643-8	MATL. SEE SEPARATE PARTS LIST	DWG NO. C-64643	

