

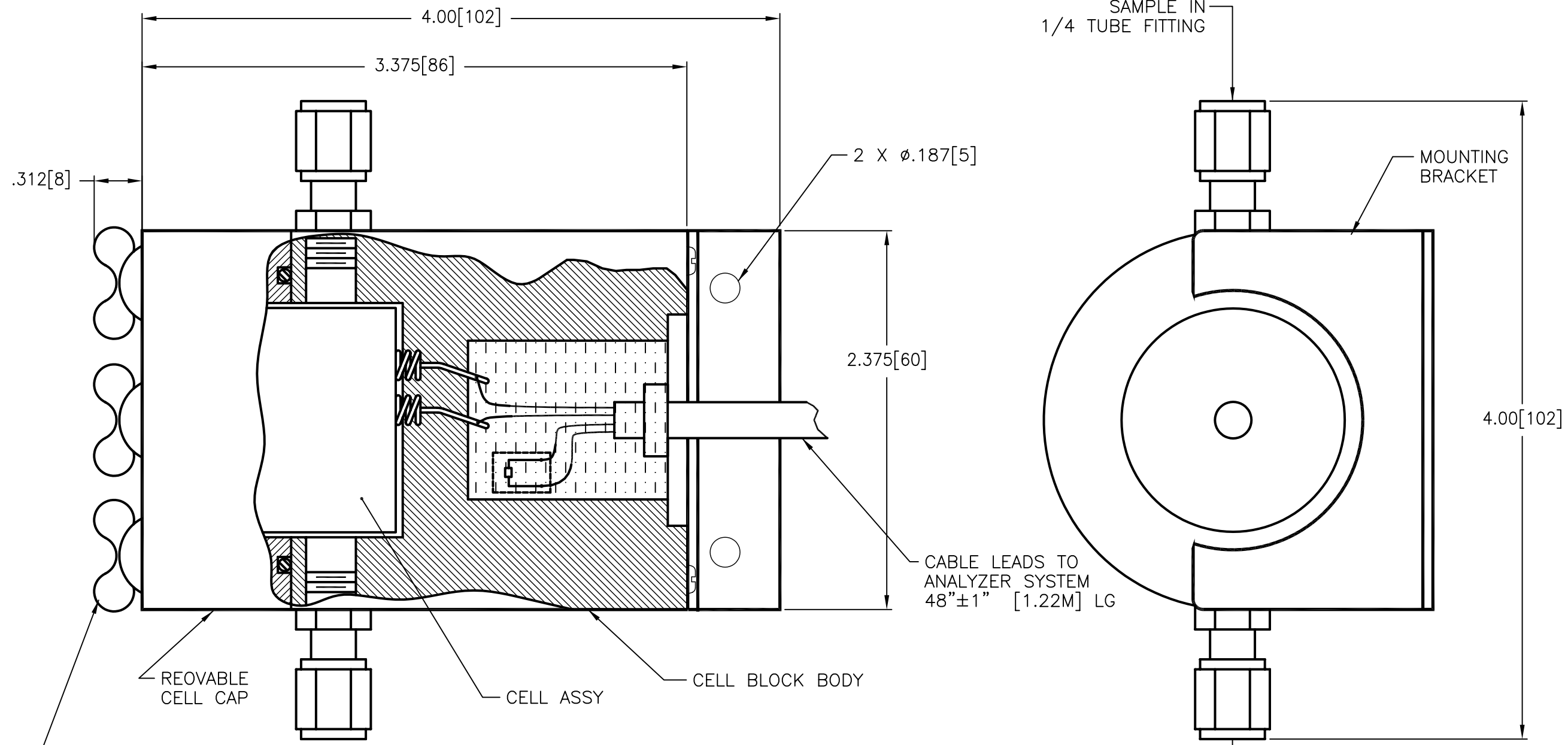
NOTES: UNLESS OTHERWISE SPECIFIED.

1. ALL DIMENSIONS IN INCHES ±.06 AND MILLIMETERS ±.1 INCHES [MM]

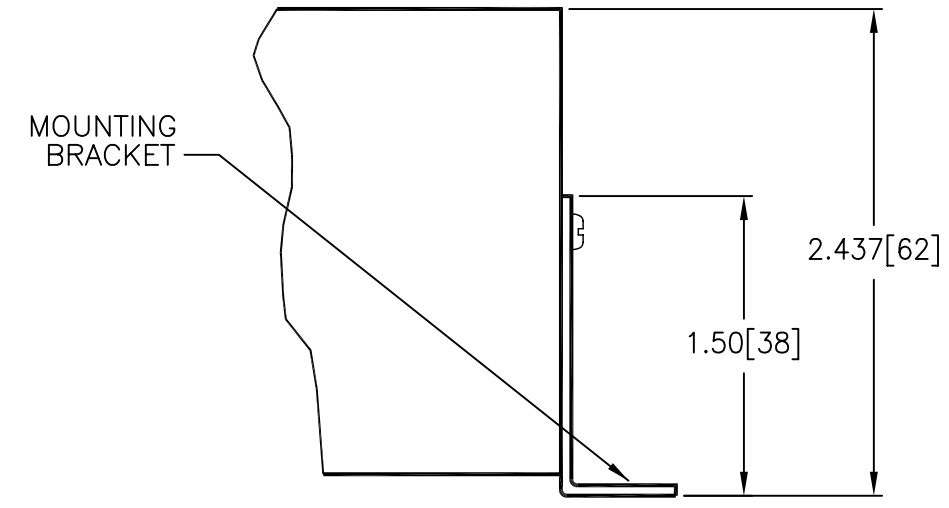
2. CENELEC APPROVED.

BASEEFA Certified Product  
No modification permitted  
without the approval of the  
Authorized Person

REVISIONS				
REV	DESCRIPTION	DATE	APP.	REV. BY
0	Initial Release	6-30-95	KFP	LG
1	INC. ECO# 97-0317	5-14-97	T.Ch	M.V.



WING NUTS TO MOUNT CELL CAP



ITEM	QTY	PART NO.	DESCRIPTION
BILL OF MATERIAL			
DO NOT SCALE DWG		THIS DRAWING IS THE PROPERTY OF TELEDYNE ANALYTICAL INSTRUMENTS AND CONTAINS CONFIDENTIAL INFORMATION. IT IS NOT TO BE COPIED, REPRODUCED OR USED WITHOUT WRITTEN PERMISSION.	
TOLERANCE UNLESS OTHERWISE SPECIFIED: ANGULAR ±1/2°		 Teledyne Analytical Instruments A business unit of Teledyne Electronic Technologies CITY OF INDUSTRY, CALIFORNIA 91748	
LINEAR			
.X = ±.1 .XX = ±.02 .XXX = ±.010			
S/	SIGNATURES		DATE
I/	C-64667	DRFT: LIXA GARCES	6/28/95
N/		CHK: V. FIGUEROA	6/29/95
P/	APPR:		
O/	ENGR: KARL F. PENSON		
F/	S.O. 151985		
REFERENCE	CAD ID C64666-1		
TITLE			SCALE 2/1
OUTLINE DIAGRAM CELL BLOCK ASSY TRACE OXYGEN ANALYZER			SIM C-40446
			SHEET 1 OF 1
MATL. ---		DWG NO. C-64666	REV 1