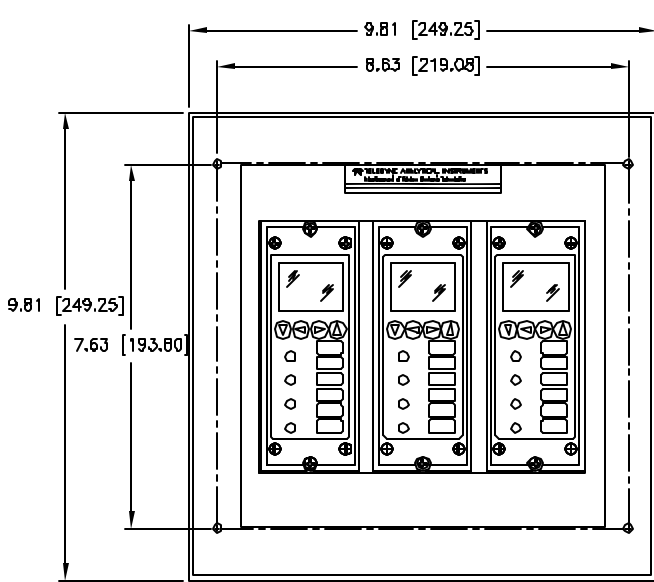


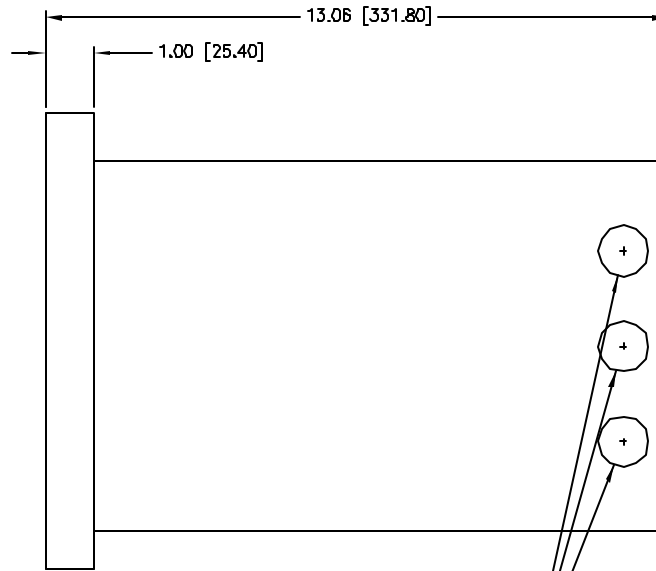
NOTES: UNLESS OTHERWISE SPECIFIED.

1. ALL DIMENSIONS ARE IN INCHES ( $\pm 0.06$ ) AND MILLIMETERS [1.0]. INCHES[mm]
2. RECOMMENDED PANEL CUTOUT 7.88[200.] x 7.88[200.]
3. NUMBER OF CHANNEL MODULES MAY VARY PER CUSTOMER APPLICATION.

REVISIONS				
REV	DESCRIPTION	DATE	APP.	REV.
0	PRD REL PER EDG# 97-0825	7/7/97	AA	--
1	INC EDD 00-0492			VF

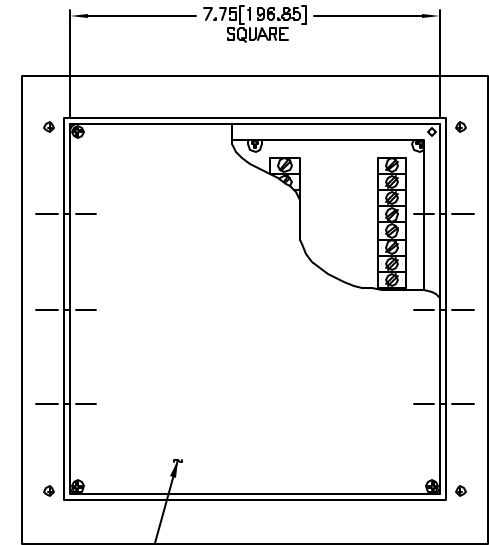


Ø.19[4.8] MTG. HOLE, 4 PLACES  
USE CASE TO LOCATE HOLES  
IN PANEL.



AC POWER, ALARM &  
PROBE CONNECTIONS

Ø1.06[27.] HOLE, FOR 3/4" CONDUIT CONNECTIONS  
3 PLACES, BOTH SIDES.



ITEM	QTY	PART NO.	DESCRIPTION
BILL OF MATERIAL			
DO NOT SCALE DIMC		THIS DRAWING IS THE PROPERTY OF TELEDYNE ANALYTICAL INSTRUMENTS AND CONTAINS CONFIDENTIAL INFORMATION. IT IS NOT TO BE COPIED, REPRODUCED OR USED WITHOUT WRITTEN PERMISSION.	
TOLERANCE UNLESS OTHERWISE SPECIFIED		 Teledyne Analytical Instruments A business unit of Teledyne Electronic Technologies CITY OF INDUSTRY, CALIFORNIA 91748	
LINEAR $\pm .1$ $\pm .02$ $\pm .010$			
SIGNATURES		DATE	TITLE
I/	DW/ JOHN REYES	08/09/97	SCALE 1:2
N/	CHK		SIN C-17447
P/	APPR:		SHEET 1 OF 1
D/	ENGR: TIM MCINTYRE		
F/ C-68448	S.D.		MATL. NONE
REFERENCE	CAD ID C8B448-1		DWG NO. C-68448
			REV 1