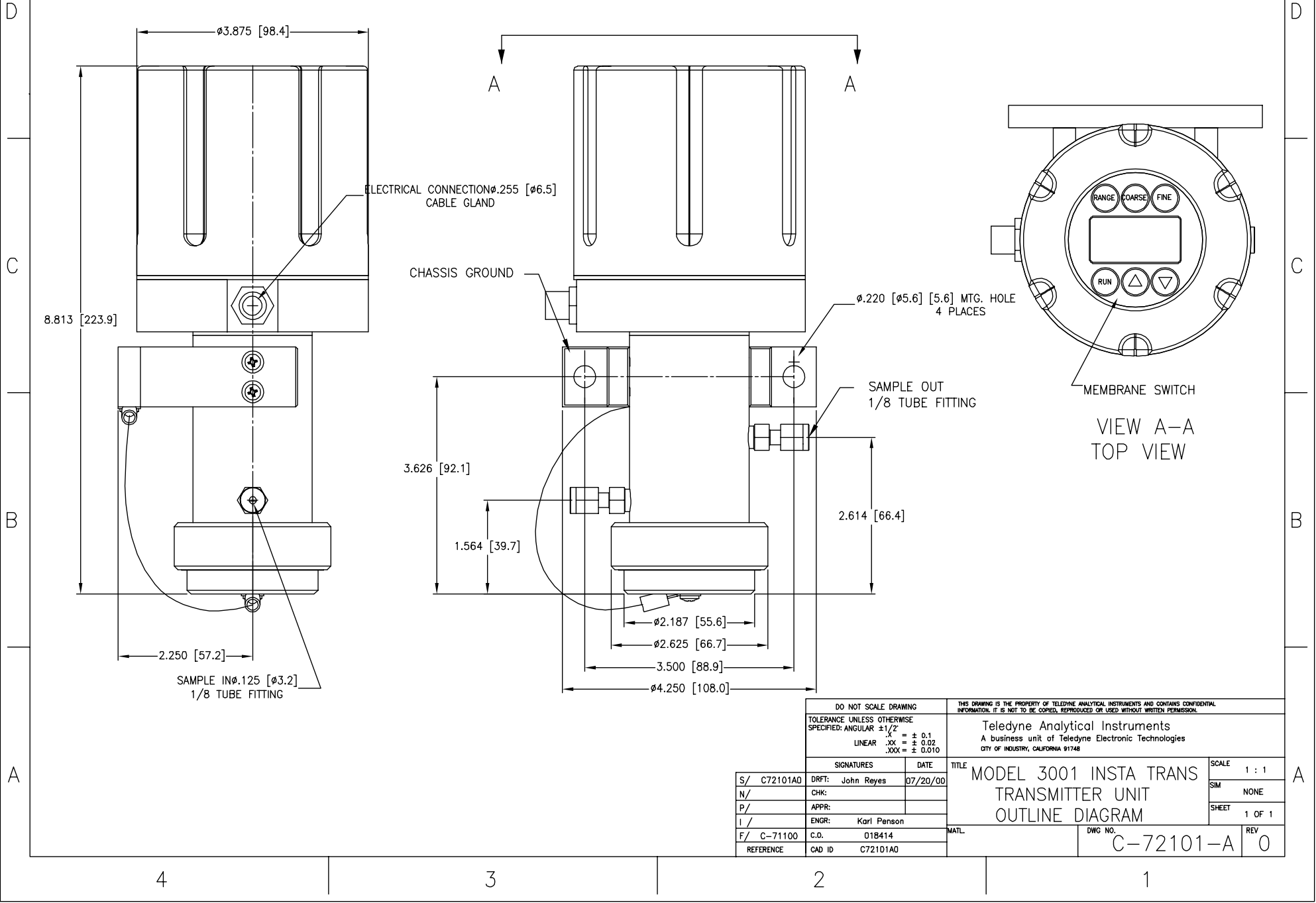


REVISIONS				
REV	DESCRIPTION	DATE	APP.	REV. BY
0	Initial Release per ECO# 00-0300	09/05/00	KFP	--

NOTES: UNLESS OTHERWISE SPECIFIED.

1. ALL DIMENSIONS ARE IN INCHES (± .06] AND MILLIMETERS [± 1.], INCHES[mm]



DO NOT SCALE DRAWING		THIS DRAWING IS THE PROPERTY OF TELEDYNE ANALYTICAL INSTRUMENTS AND CONTAINS CONFIDENTIAL INFORMATION. IT IS NOT TO BE COPIED, REPRODUCED OR USED WITHOUT WRITTEN PERMISSION.	
TOLERANCE UNLESS OTHERWISE SPECIFIED: ANGULAR $\pm 1/2^\circ = \pm 0.1$ LINEAR .XX = ± 0.02 .XXX = ± 0.010		Teledyne Analytical Instruments A business unit of Teledyne Electronic Technologies CITY OF INDUSTRY, CALIFORNIA 91748	
SIGNATURES		DATE	TITLE
S/ C72101A0	DRFT: John Reyes	07/20/00	MODEL 3001 INSTA TRANS TRANSMITTER UNIT OUTLINE DIAGRAM
N/	CHK:		SCALE 1 : 1
P/	APPR:		SIM NONE
I /	ENGR: Karl Penson		SHEET 1 OF 1
F/ C-71100	C.O. 018414		
REFERENCE	CAD ID C72101A0	MATL.	DWG NO. C-72101-A
			REV 0