

4

3

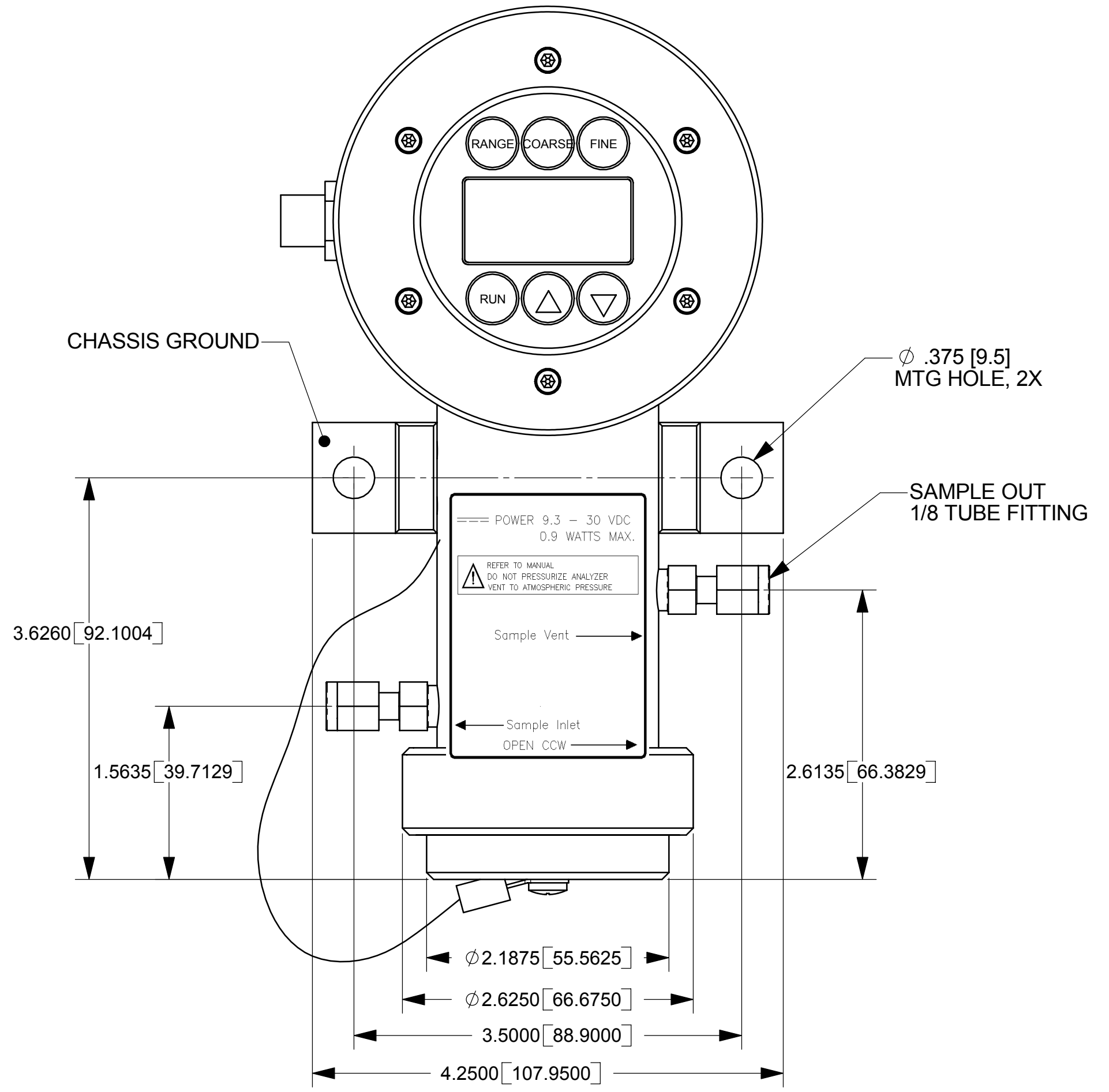
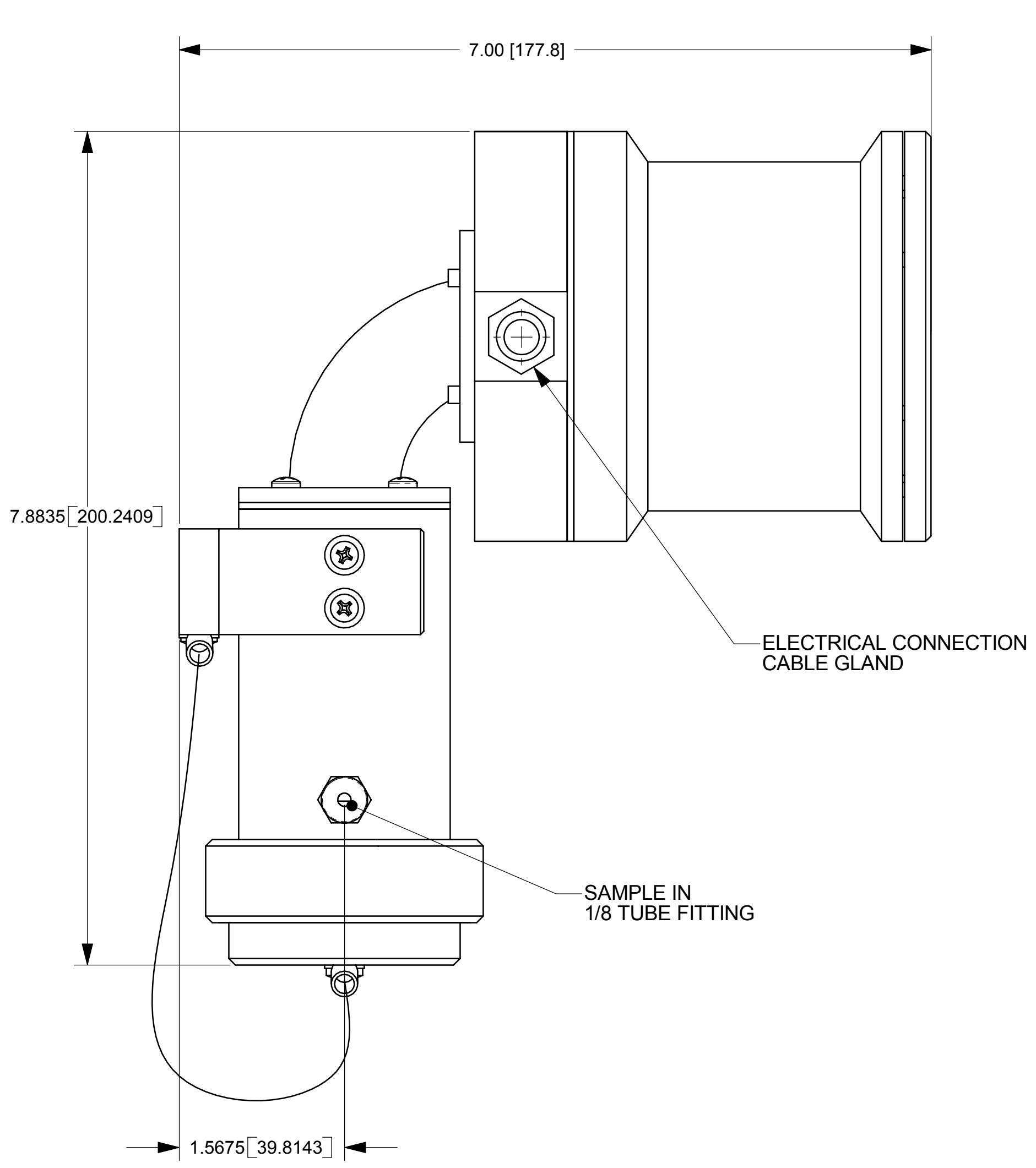
2

1

NOTES: UNLESS OTHERWISE SPECIFIED.

1. ALL DIMENSIONS ARE IN INCHES (±.06) AND MILLIMETERS (±1.), INCHES[mm].

REVISIONS				
REV	DESCRIPTION	DATE	APP.	REV. BY
1	INC PER ECO 03-0325	3/8/04	KFP	AN
2	INC PER ECO 06-0039	4/25/06	AA	VF



BILL OF MATERIALS				
DO NOT SCALE DRAWING		THIS DRAWING IS THE PROPERTY OF TELEDYNE ANALYTICAL INSTRUMENTS AND CONTAINS CONFIDENTIAL INFORMATION. IT IS NOT TO BE COPIED, REPRODUCED OR USED WITHOUT WRITTEN PERMISSION.		
TOLERANCE UNLESS OTHERWISE SPECIFIED: ANGULAR ±1/2°		Teledyne Analytical Instruments A business of Teledyne Electronic Technologies CITY OF INDUSTRY, CALIFORNIA 91748		
LINEAR { X = ±0.1 .XX = ±0.02 .XXX = ±0.010		SIGNATURES		SCALE 1:1
S/ C72101-0	DRFT: JOHN REYES	DATE	06/19/00	SIM C-71177
N/	CHK:			SHEET 1 OF 1
P/	APPR:			
O/	ENGR: KARL PENSON			
F/	S.O. STANDARD			
REFERENCE	CAD ID C72101B-2	MATERIAL NONE		DWG NO. C-72101-B
				REV 2

4

3

2

1