

4

3

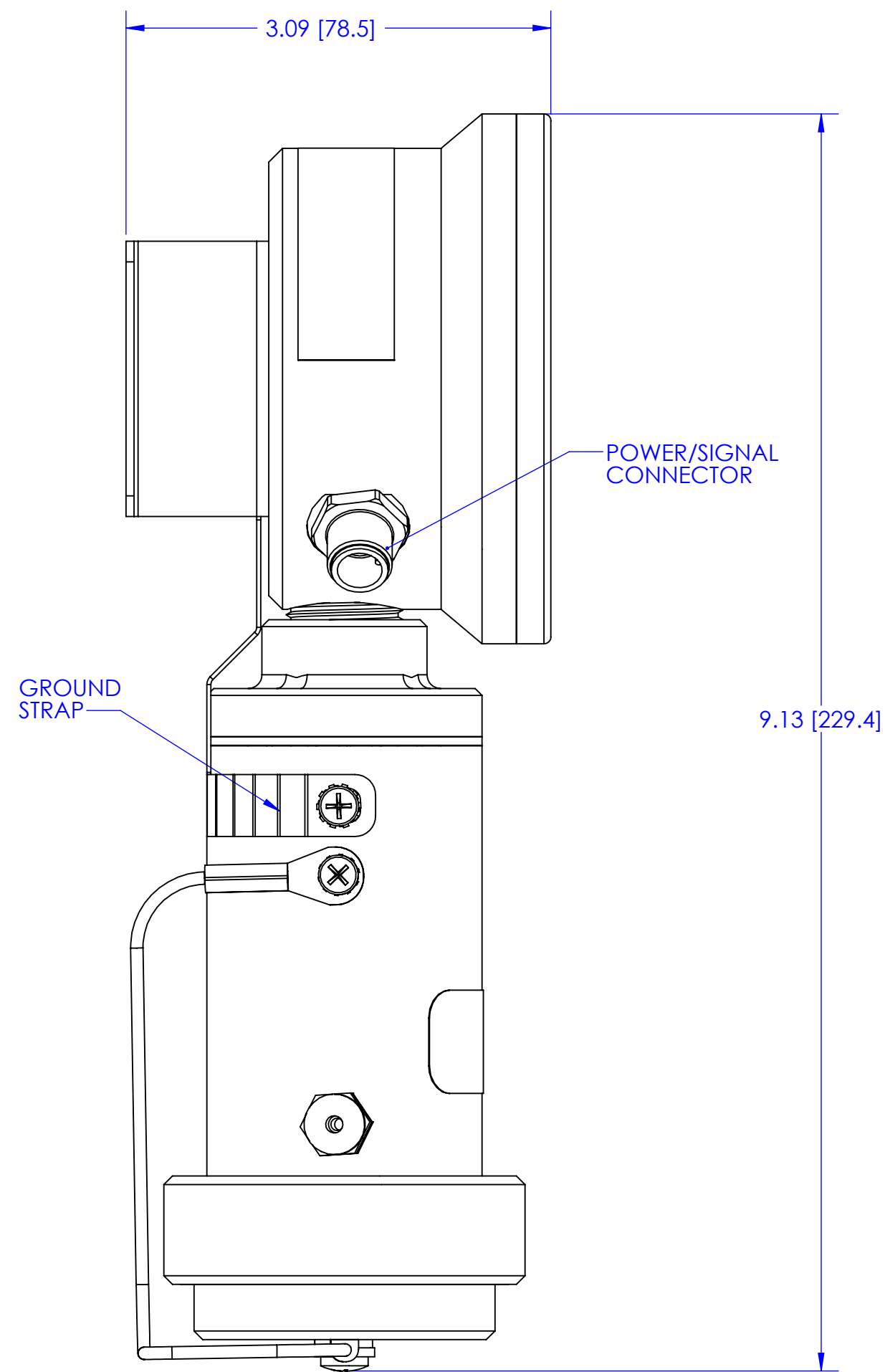
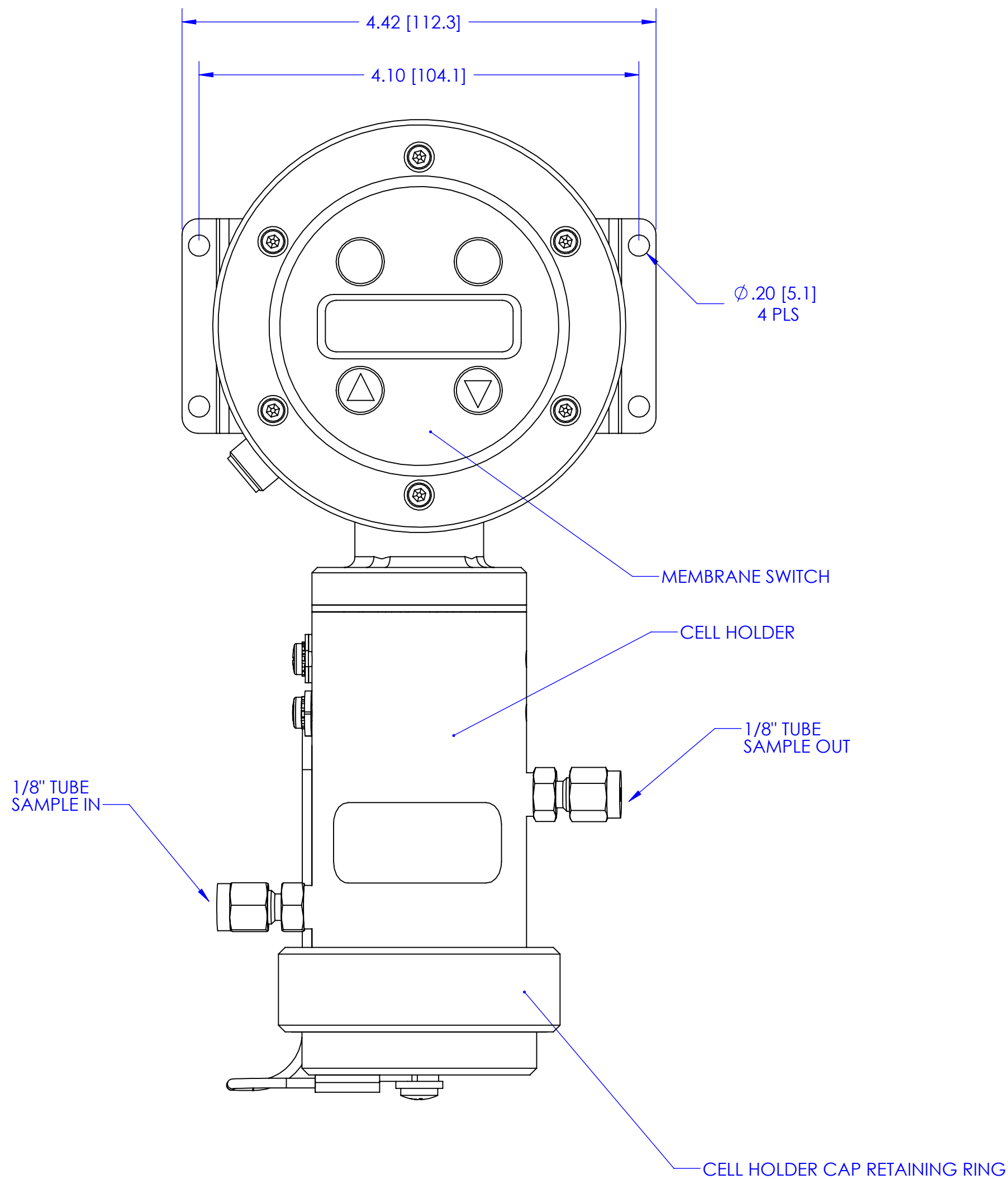
2

1

NOTES: UNLESS OTHERWISE SPECIFIED.

- 1. ALL DIMENSIONS ARE IN INCHES (+/-0.06) AND MILLIMETERS [ ] (+/-1) mm
- 2. THE OUTPUT OF THE O2 SENSOR INSTALLED IN THIS ANALYZER SHALL NOT EXCEED 1.4 MADC, & 1.0 VDC @ 50°C (MAXIMUM OPERATING TEMPERATURE).

REVISIONS				
REV	DESCRIPTION	DATE	APP.	REV. BY
0	INITIAL RELEASE	11/09/12	KFP	--
1	UPDATED TITLE	4/14/14	KFP	KFP



BILL OF MATERIALS				
DO NOT SCALE DRAWING		THIS DRAWING IS THE PROPERTY OF TELEDYNE ANALYTICAL INSTRUMENTS AND CONTAINS CONFIDENTIAL INFORMATION. IT IS NOT TO BE COPIED, REPRODUCED OR USED WITHOUT WRITTEN PERMISSION.		
TOLERANCE UNLESS OTHERWISE SPECIFIED: ANGULAR ±1/2°		 Teledyne Analytical Instruments A business of Teledyne Electronic Technologies CITY OF INDUSTRY, CALIFORNIA 91748		
LINEAR { .X = ±0.1 .XX = ±0.02 .XXX = ±0.010		SIGNATURES		SCALE 1:1
S/	DRFT: KFP	DATE	TITLE	
N/	CHK:	4/14/14	INSTA-TRANS-XD OUTLINE	
P/	APPR:		SIM	
O/	ENGR: KFP		SHEET 1 OF 1	
F/	S.O. STANDARD		MATL. NONE	DWG NO. C-83162
REFERENCE	CAD ID C83162-1			REV 1

4

3

2

1