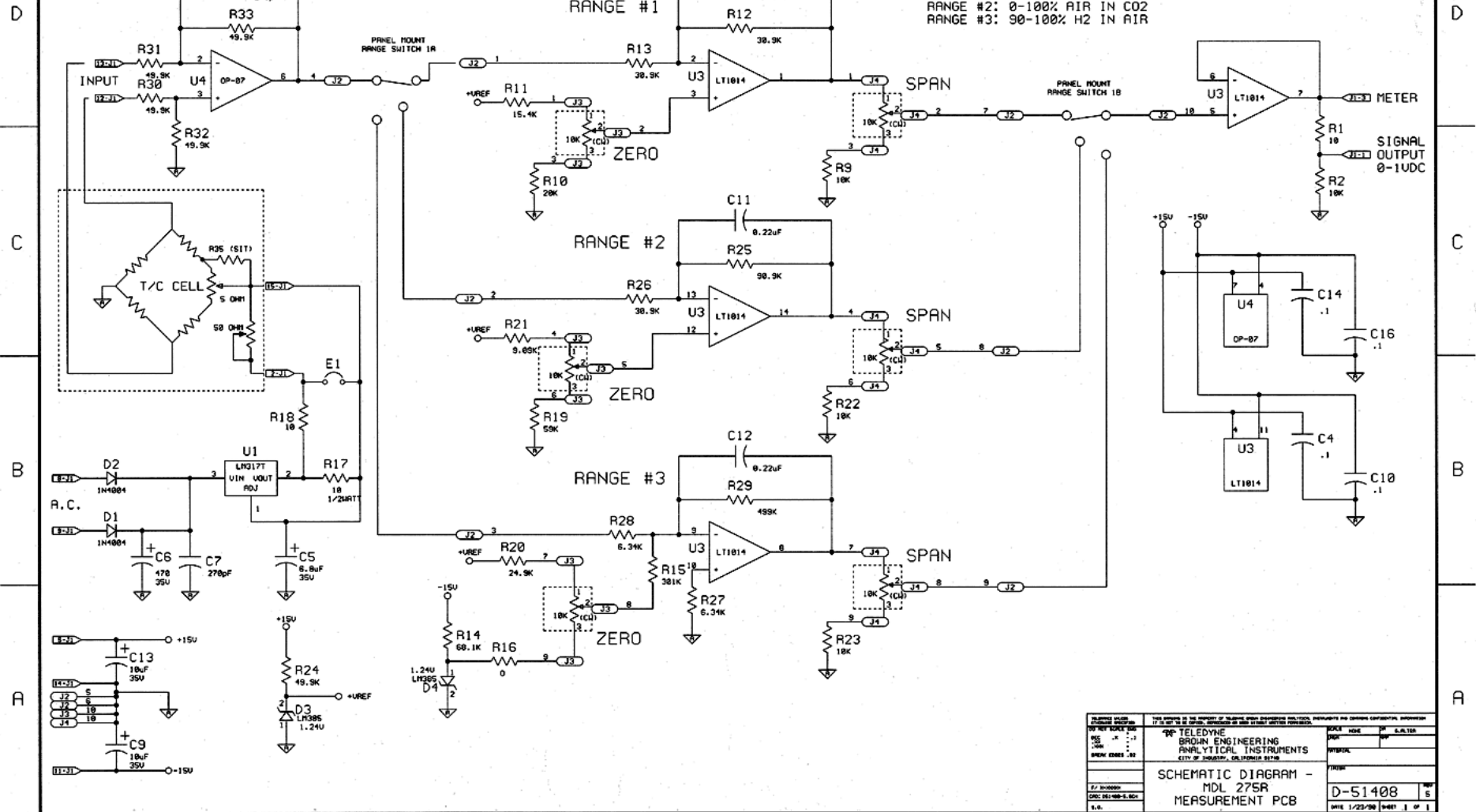


8 | 7 | 6 | 5 | 4 | 3 | 2 | 1

NOTES: UNLESS OTHERWISE SPECIFIED  
 1. RESISTANCE VALUES ARE IN OHMS, 1/8W, +/- 1%.  
 2. CAPACITANCE VALUES ARE IN MICROFARADS, 50V, +/-10%.

REV. NO.		REV. 5	
DATE	REV.	DESCRIPTION	APPROVED
	4	INC ECD 93-429	12/17/93 RKJ
	5	INC ECD 01-2046	3/12/01 QD

REFERENCE: He  
 RANGE #1: 0-100% H2 IN CO2  
 RANGE #2: 0-100% AIR IN CO2  
 RANGE #3: 90-100% H2 IN AIR



DATE	REV.	DESCRIPTION	APPROVED
	1	SCHEMATIC DIAGRAM - MDL 275R MEASUREMENT PCB	

8 | 7 | 6 | 5 | 4 | 3 | 2 | 1