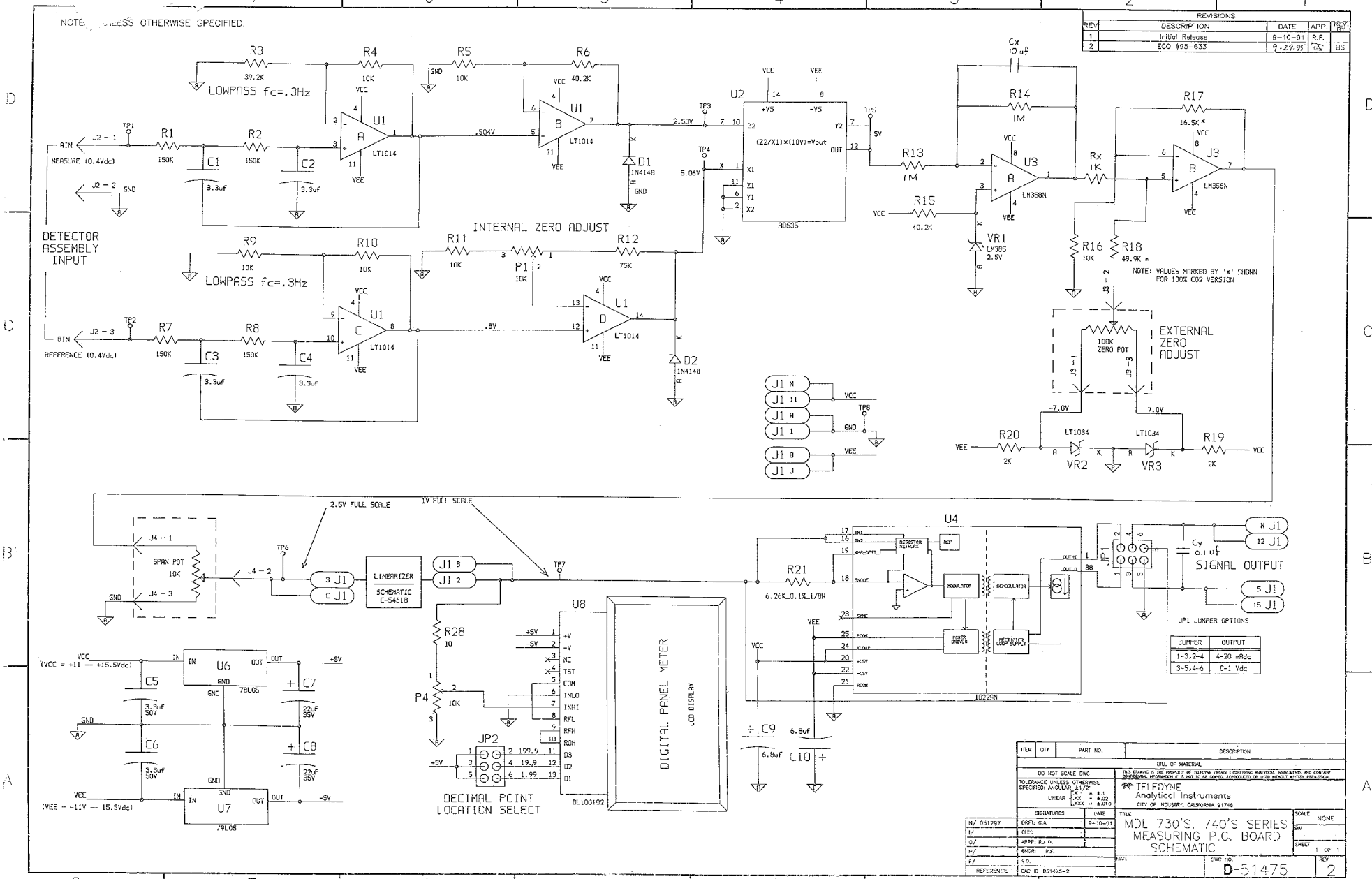


REVISIONS				
REV	DESCRIPTION	DATE	APP	REV
1	Initial Release	9-10-91	R.F.	
2	ECO #95-633	9-29-92	AS	BS

NOTE: UNLESS OTHERWISE SPECIFIED.



JPL JUMPER OPTIONS

JUMPER	OUTPUT
1-3, 2-4	4-20 mA DC
3-5, 4-5	0-1 Vdc

ITEM	QTY	PART NO.	DESCRIPTION
BILL OF MATERIALS			
DO NOT SCALE DIMS			
TOLERANCE UNLESS OTHERWISE SPECIFIED: ANGULAR ±1/2°			
LINEAR: FRACTIONS ±.010			
DECIMAL: ±.010			
TELEPHONE Analytical Instruments CITY OF INDUSTRY, CALIFORNIA 91748			
SIGNATURES		DATE	
DRPT: G.A.		9-10-91	
ENGR: R.J.D.			
ENGR: P.K.			
A.D.			
REFERENCE: CAD ID: 051475-2		DWG NO: D-51475	
		SHEET 1 OF 1	
		SCALE NONE	