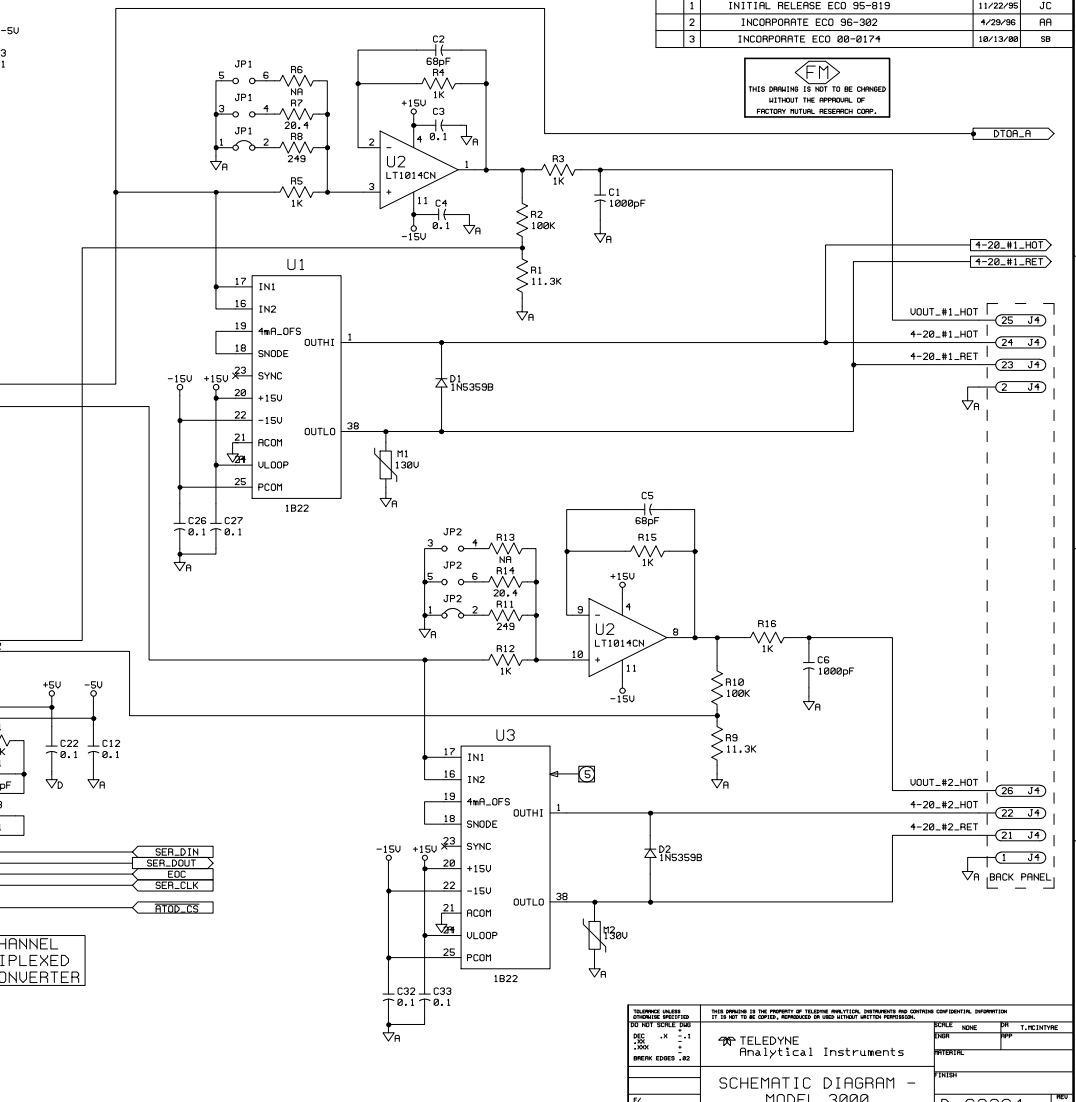
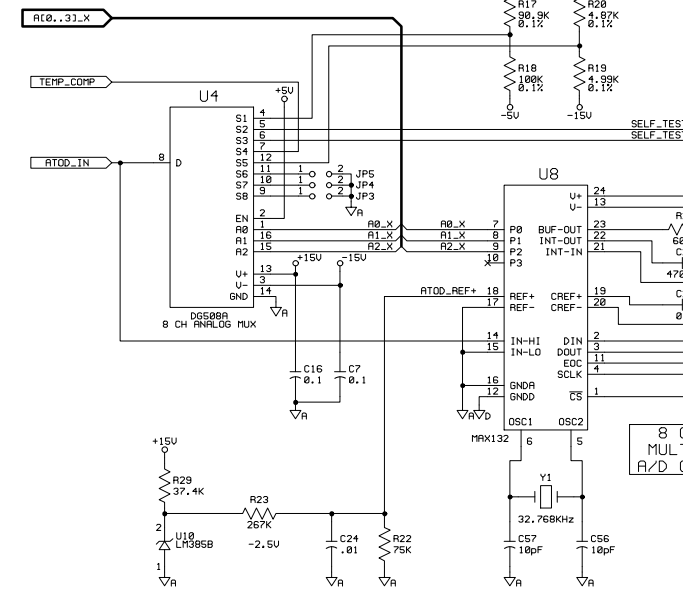
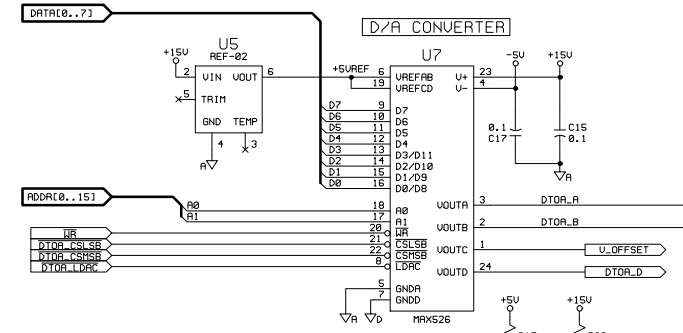
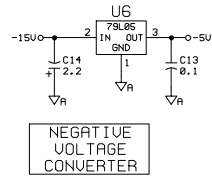
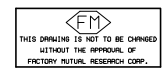


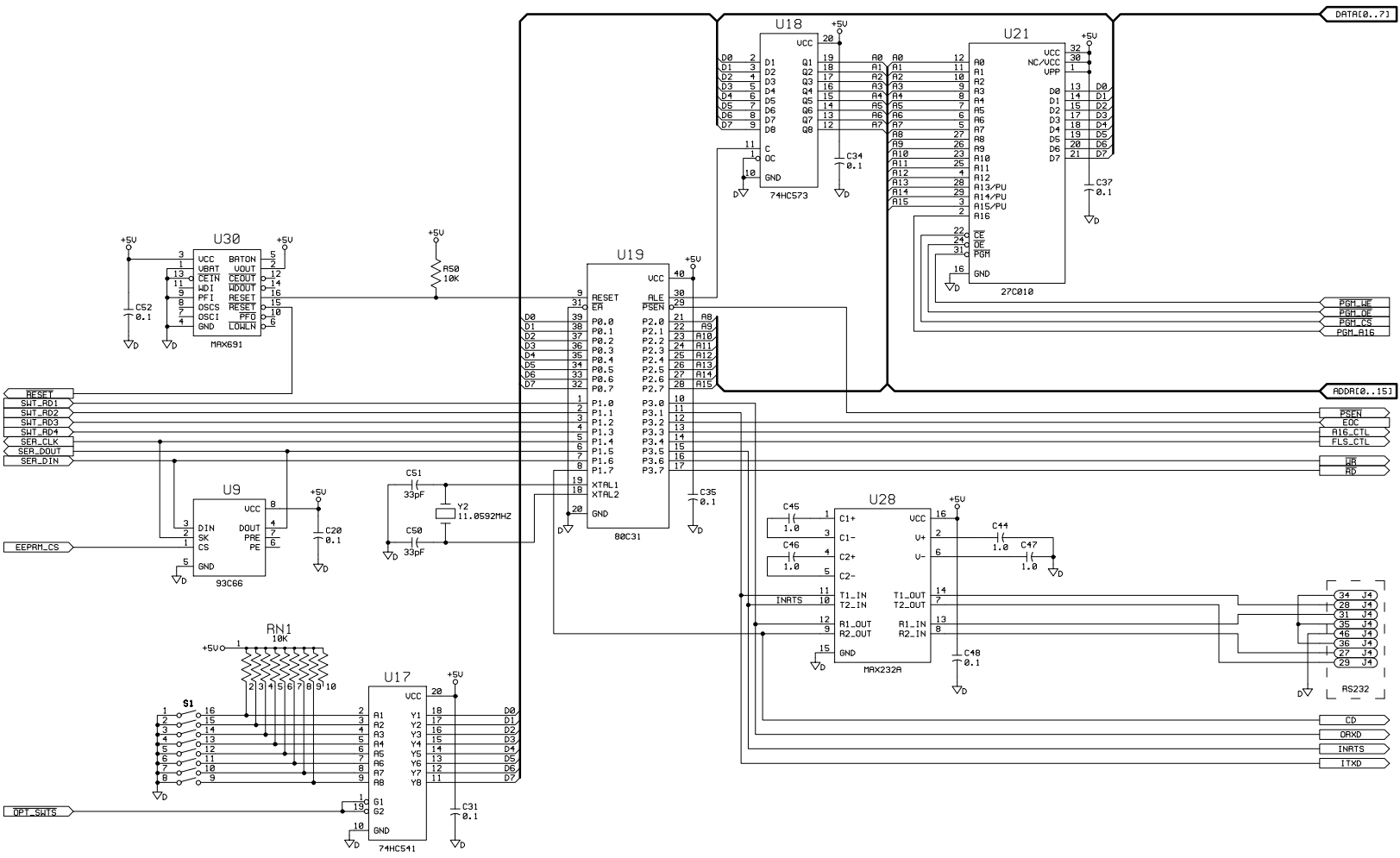
- NOTES: UNLESS OTHERWISE SPECIFIED:
1. PREPARED IAH DOCUMENTS LISTED:
GRAPHIC SYMBOLS: ANS1 Y32.2
REFERENCE DESIGNATORS: ANS1 Y32.16
DEFINITIONS OF ENGR DMGS: ANS1 Y14.15
 2. FOR ASSEMBLY SEE C62365.
 3. RESISTANCE VALUES ARE IN OHMS, 1/8W, +/- 1%.
 4. CAPACITANCE VALUES ARE IN MICROFARADS, 50W, +/-10%.
- Ⓢ U3 IS OPTIONAL 4-20 mA/DC OUTPUT SIGNAL

Dwg. No.		REV 3		
REVISIONS				
ZONE	REV	DESCRIPTION	DATE	APPROVED
1		INITIAL RELEASE ECD 95-819	11/22/96	JC
2		INCORPORATE ECD 96-382	4/28/96	RA
3		INCORPORATE ECD 80-8174	18/13/88	SB

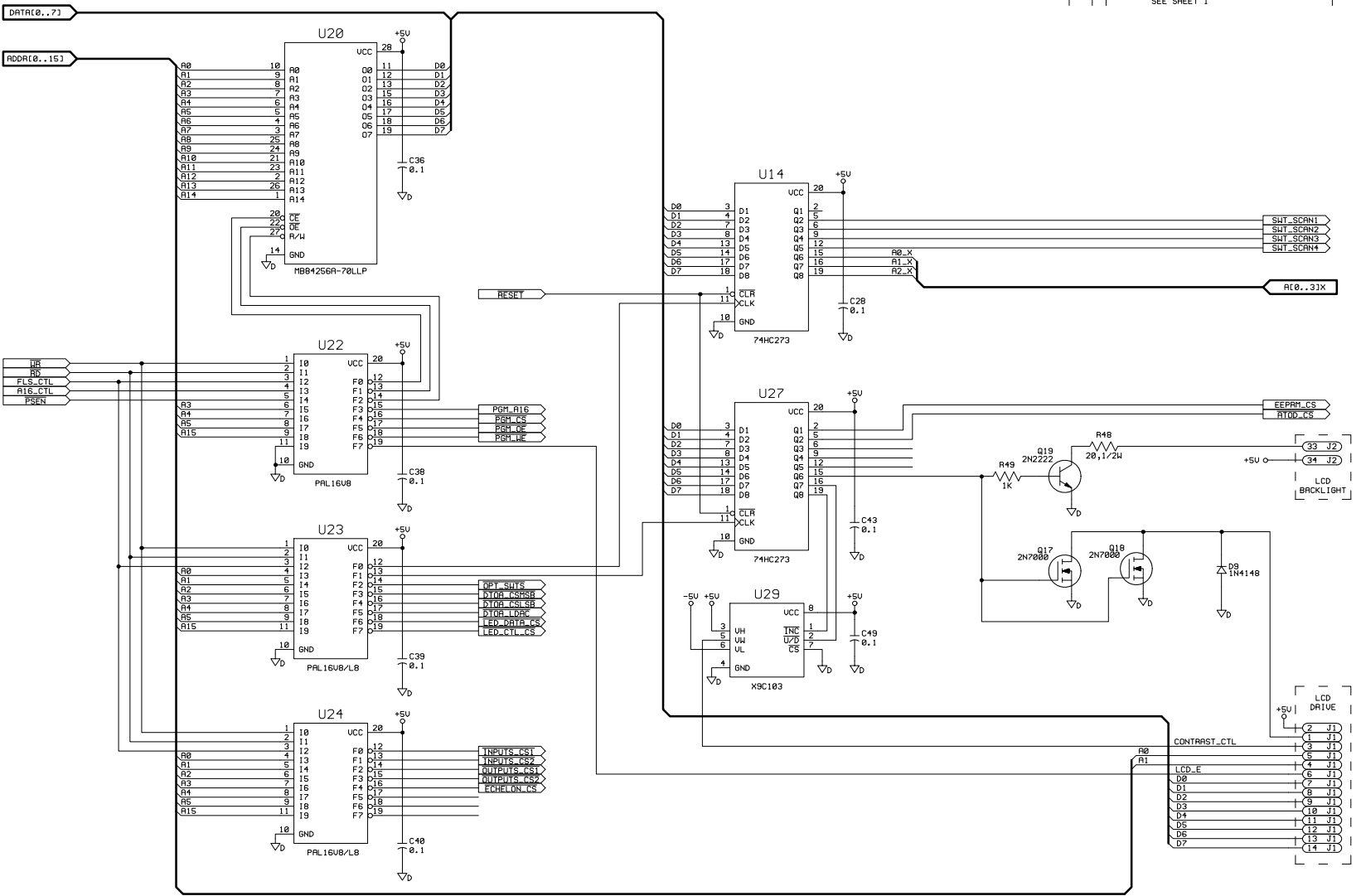


TOLERANCE UNLESS OTHERWISE SPECIFIED: RESISTORS: ±1% CAPACITORS: ±10%		THIS DRAWING IS THE PROPERTY OF TELEPHONE ANALYTICAL INSTRUMENTS AND CONTAINS CONFIDENTIAL INFORMATION. IT IS NOT TO BE COPIED, REPRODUCED OR USED WITHOUT WRITTEN PERMISSION.	
DES. NO.	SCALE	DATE	BY
1000	NONE	11/22/96	JC
WORK ORDER NO.	INSTRUMENT	APP	
	TELEPHONE Analytical Instruments		
SCHEMATIC DIAGRAM -		REV 3	
MODEL 3000		D-62364	
CPU BOARD		DATE 10/13/94 SHEET 1 OF 6	

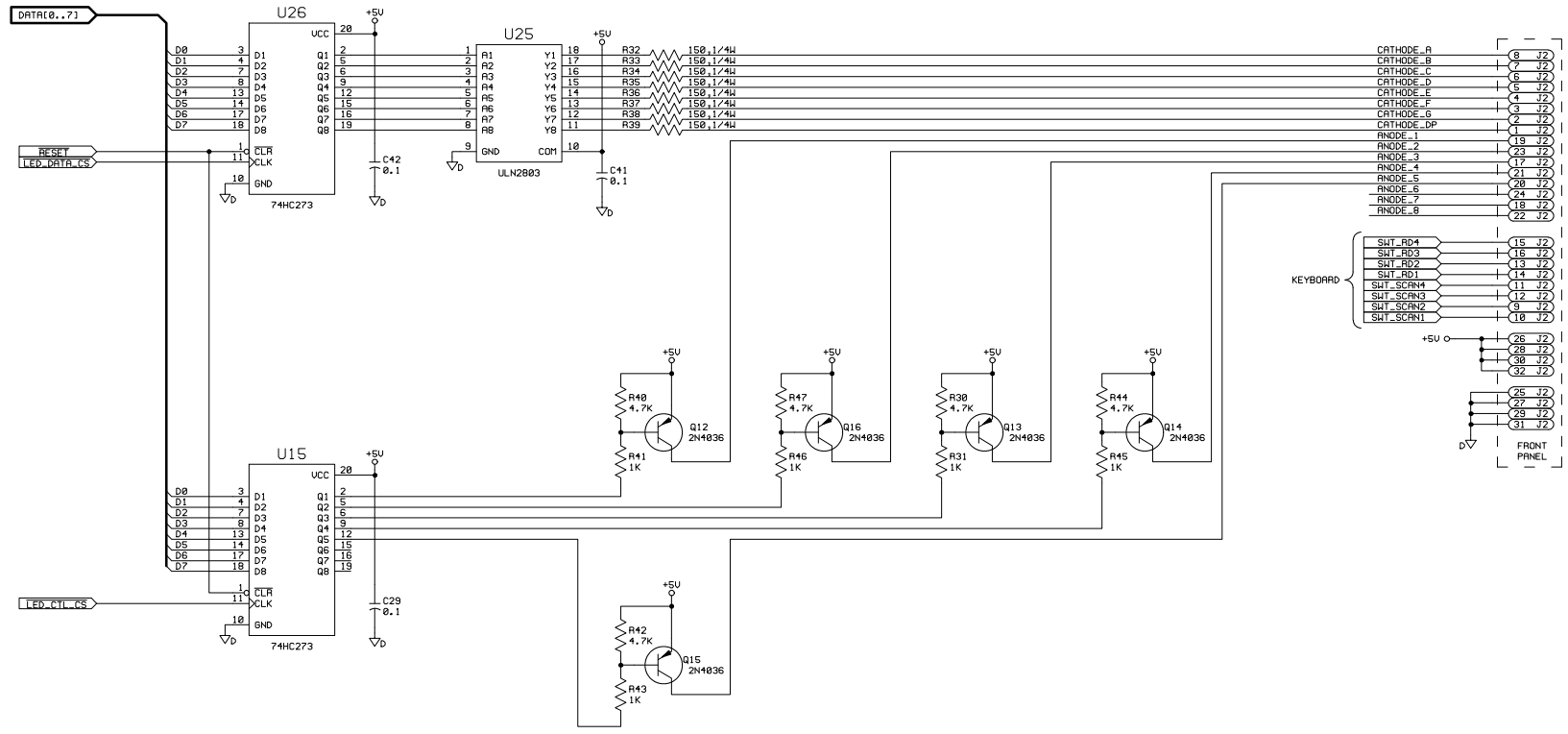
DIB. NO. D-62364		SH. 2		REV. 3	
REVISIONS					
DATE	REV.	DESCRIPTION	DATE	APPROVED	
		SEE SHEET 1			



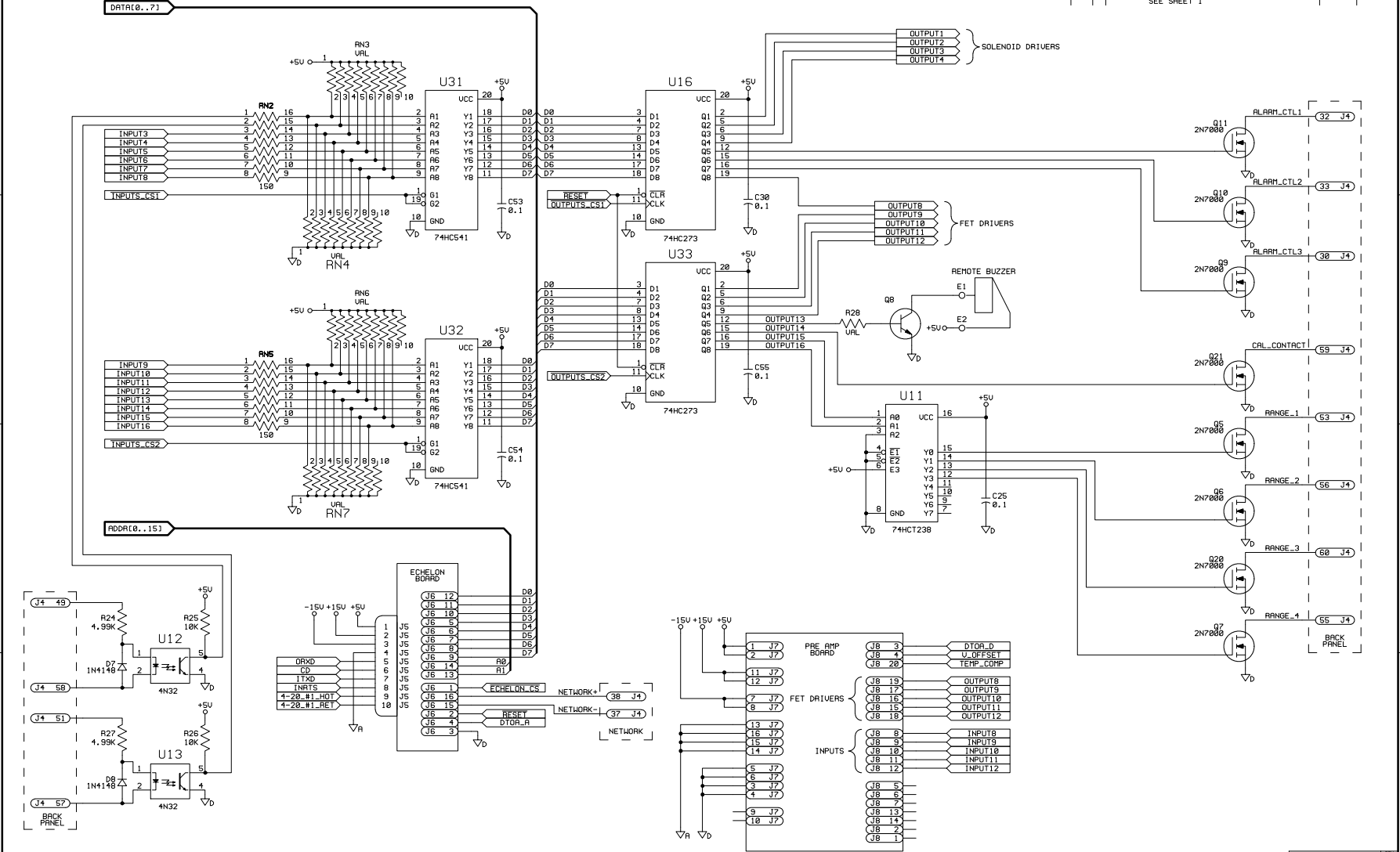
Dwg. No. D-62364		Sht 3		REV 3	
REVISIONS					
DATE	REV	DESCRIPTION	DATE	APPROVED	
SEE SHEET 1					



DIB. NO. D-62364		REV. 3	REV. 3	
REVISIONS				
DATE	REV.	DESCRIPTION	DATE	APPROVED
SEE SHEET 1				



Dwg. No. D-62364		REV 3		1	
REVISIONS					
DATE	REV	DESCRIPTION	DATE	APPROVED	
SEE SHEET 1					



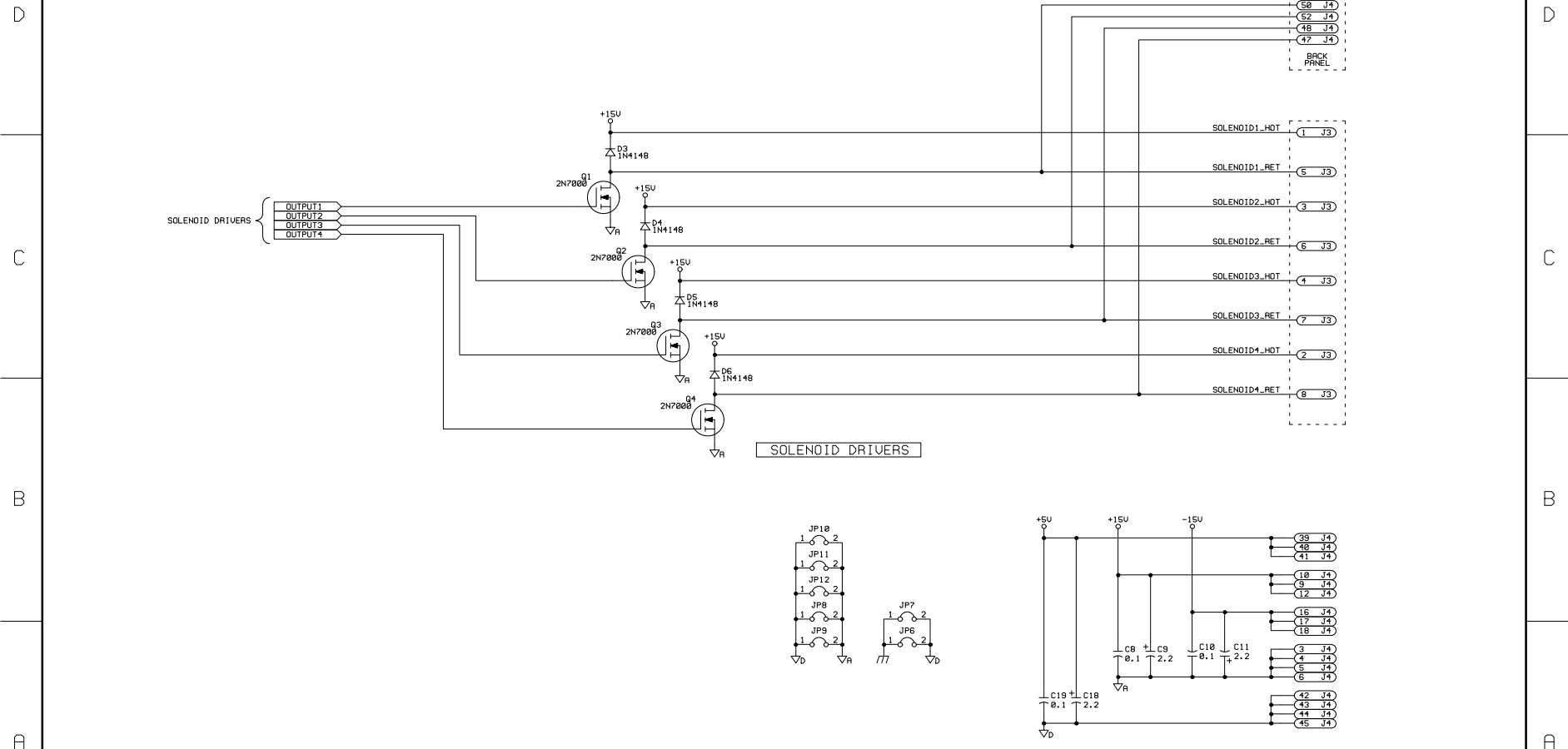
Dwg. No. D-62364		SH 6	REV 3
REVISIONS			
IDW	REV	DESCRIPTION	DATE
SEE SHEET 1			APPROVED

D

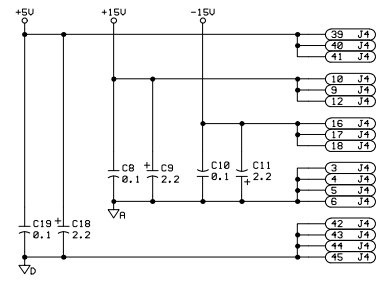
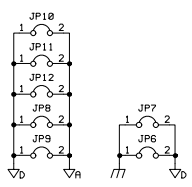
C

B

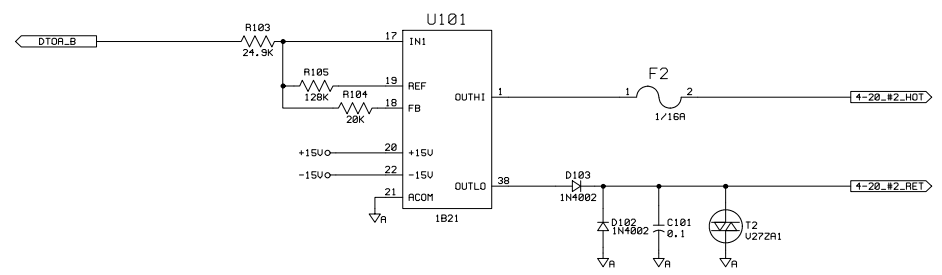
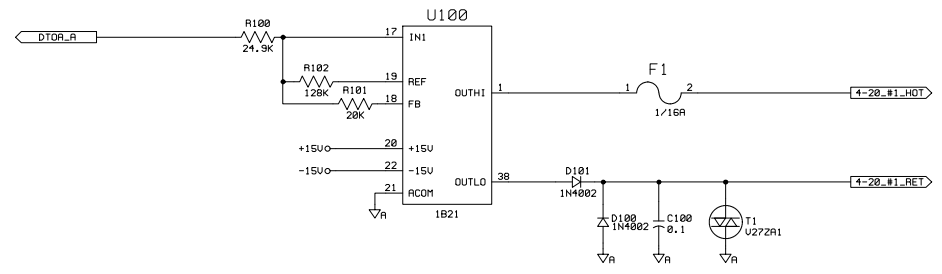
A



SOLENOID DRIVERS



Dwg. No. D-62364		SH 7	REV 3	1	
REVISIONS					
IDW	REV	DESCRIPTION	DATE	APPROVED	
SEE SHEET 1					



LOOPED POWER OPTION