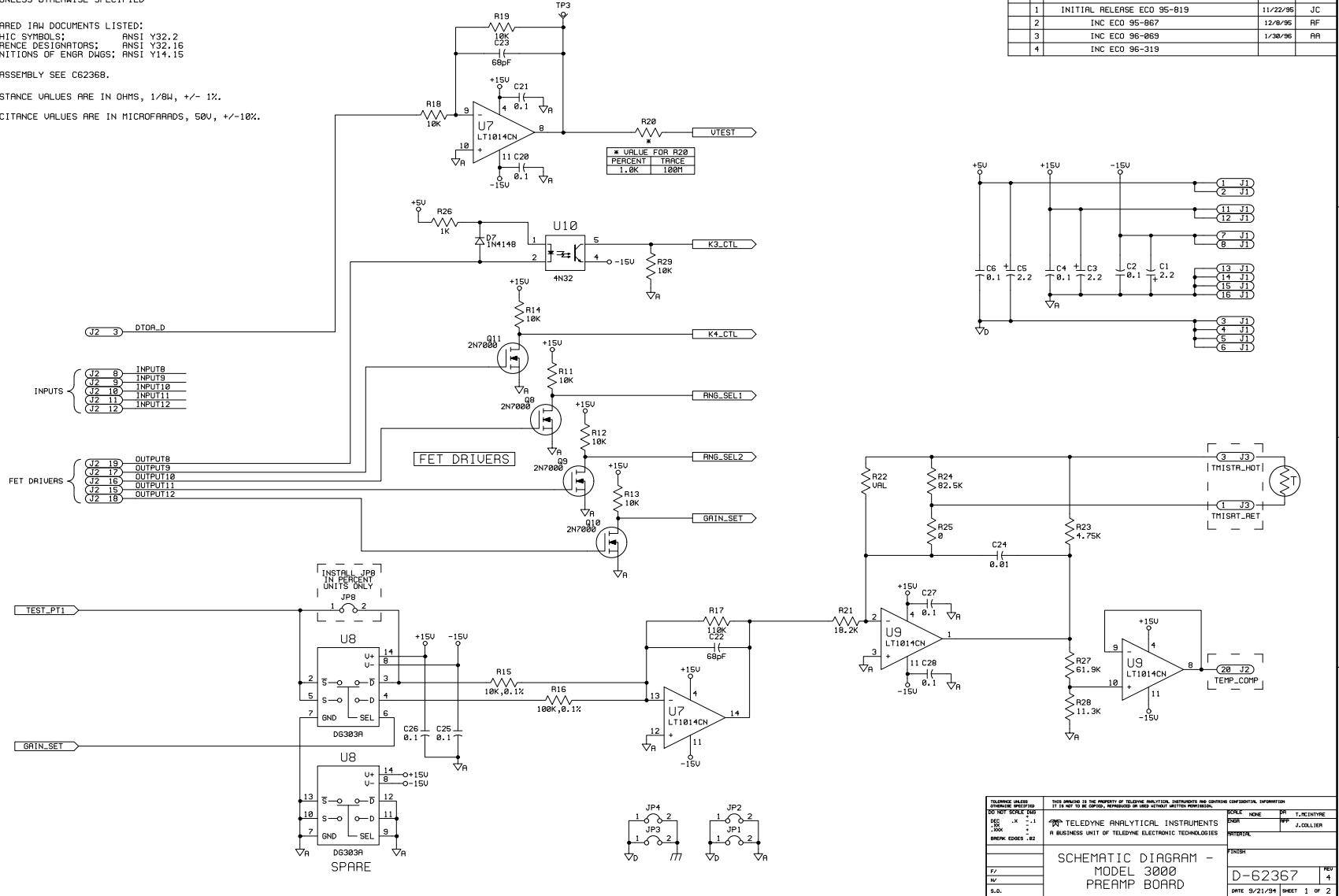


Dwg. No. D-62367		SH 1	REV 4
REVISIONS			
DATE	APPROVED	DESCRIPTION	REV
11/22/96	JC	INITIAL RELEASE ECO 95-819	1
12/8/96	RF	INC ECO 95-867	2
1/30/96	RA	INC ECO 96-069	3
		INC ECO 96-319	4

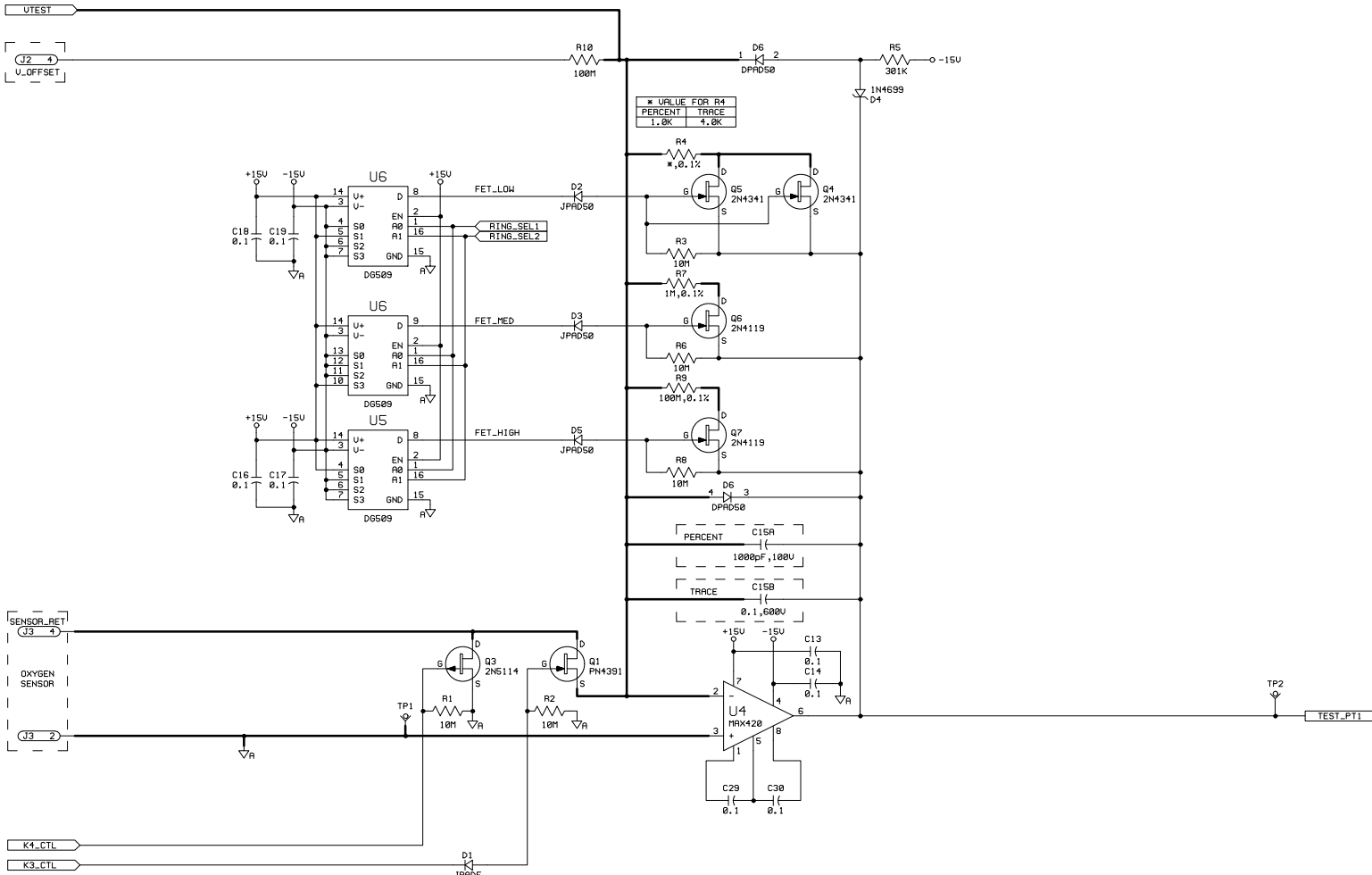
NOTES: UNLESS OTHERWISE SPECIFIED

1. PREPARED RAW DOCUMENTS LISTED:
 GRAPHIC SYMBOLS: ANS1 Y32.2
 REFERENCE DESIGNATORS: ANS1 Y32.15
 DEFINITIONS OF ENGR DWGS: ANS1 Y14.15
2. FOR ASSEMBLY SEE C62368.
3. RESISTANCE VALUES ARE IN OHMS, 1/8W, +/- 1%.
4. CAPACITANCE VALUES ARE IN MICROFARADS, 50U, +/-10%.



TOLERANCE (ALL) UNLESS SPECIFIED	THIS DRAWING IS THE PROPERTY OF TELEDYNE ANALYTICAL INSTRUMENTS AND CONTAINS CONFIDENTIAL INFORMATION. IT IS NOT TO BE COPIED, REPRODUCED OR USED WITHOUT WRITTEN PERMISSION.	SCALE	NONE	DR	J. COLLIER
NO NOT SCALE DIMS		APP		APP	J. COLLIER
DES. X 1:1	TELEDYNE ANALYTICAL INSTRUMENTS				
REV. 1:1	A BUSINESS UNIT OF TELEDYNE ELECTRONIC TECHNOLOGIES				
DRAWN CODES: 10					
		TITLE		PART	
		SCHEMATIC DIAGRAM -		D-62367	
		MODEL 3000		REV 4	
		PREAMP BOARD		DATE 9/21/94 SHEET 1 OF 2	

Dwg. No. D-62367		REV 4	
REVISIONS			
DATE	REV	DESCRIPTION	APPROVED
		SEE SHEET 1	



* VALUE FOR R4
PERCENT TRACE
1.0K 4.0K

PERCENT C15A
1000pF, 100U
TRACE C15B
0.1, 600U