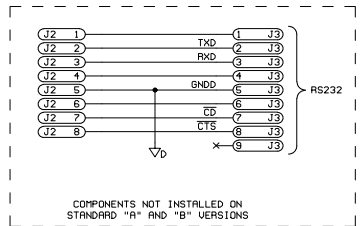
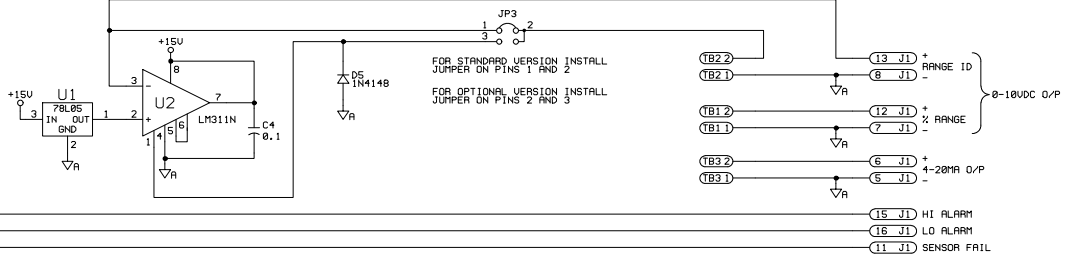
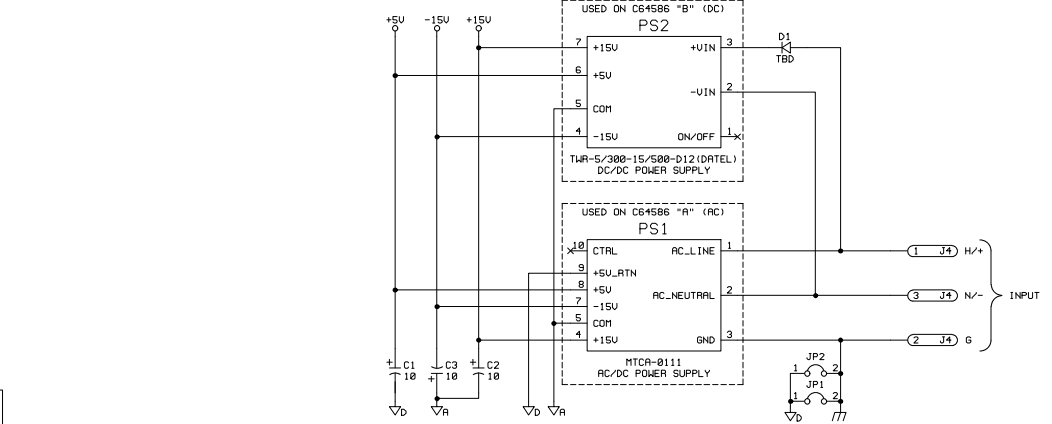
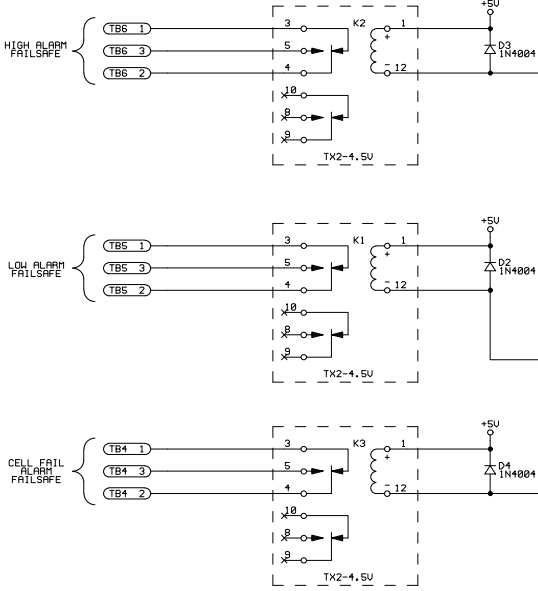


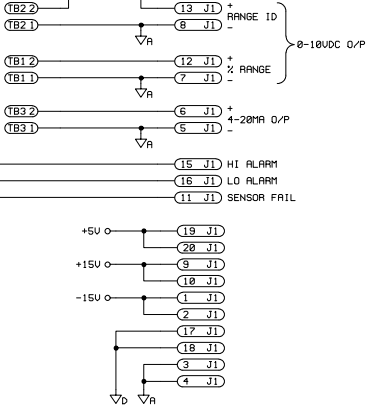
NOTES: UNLESS OTHERWISE SPECIFIED

1. PREPARED IAW DOCUMENTS LISTED:  
 GRAPHIC SYMBOLS: ANSI Y32.2  
 REFERENCE DESIGNATORS: ANSI Y32.15  
 DEFINITIONS OF ENGR DWGS: ANSI Y14.15
2. FOR ASSEMBLY SEE C-64586A (AC) AND C-64586B (DC)  
 C-64586C (AC W/RS232) AND C-64586D (DC W/RS232).
5. RESISTANCE VALUES ARE IN OHMS, 1/8W, +/- 1%.
6. CAPACITANCE VALUES ARE IN MICROFARADS, 50U, +/-10%.

Dwg. No. D-64585		REV 1	REV 3	
REVISIONS				
ZONE	REV	DESCRIPTION	DATE	APPROVED
1		INITIAL RELEASE ECO 95-711	10/13/95	RA
2		INC ECO 95-818	1/30/96	R,LU
3		INC ECO 96-178		



COMPONENTS NOT INSTALLED ON STANDARD "A" AND "B" VERSIONS



TOLERANCE (ALL UNLESS OTHERWISE SPECIFIED) DO NOT SCALE DIMS	THIS DRAWING IS THE PROPERTY OF TELEDYNE ANALYTICAL INSTRUMENTS AND CONTAINS CONFIDENTIAL INFORMATION. IT IS NOT TO BE COPIED, REPRODUCED OR USED WITHOUT WRITTEN PERMISSION.	SCALE: NONE	DR: T, AC, I, CVT, R
DES: X	TELEDYNE ANALYTICAL INSTRUMENTS	ENGR: [ ]	APP: [ ]
DRW: [ ]	A BUSINESS UNIT OF TELEDYNE ELECTRONIC TECHNOLOGIES	HYDRAUL: [ ]	
WORK CODES: [ ]			
REV: [ ]			
DATE: 8/18/95	SHEET 1 OF 1		

SCHEMATIC DIAGRAM -  
 3190/3290 02 ANALYZER  
 POWER SUPPLY BOARD

D-64585 REV 3