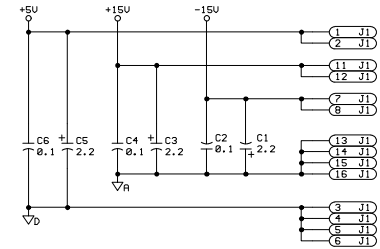
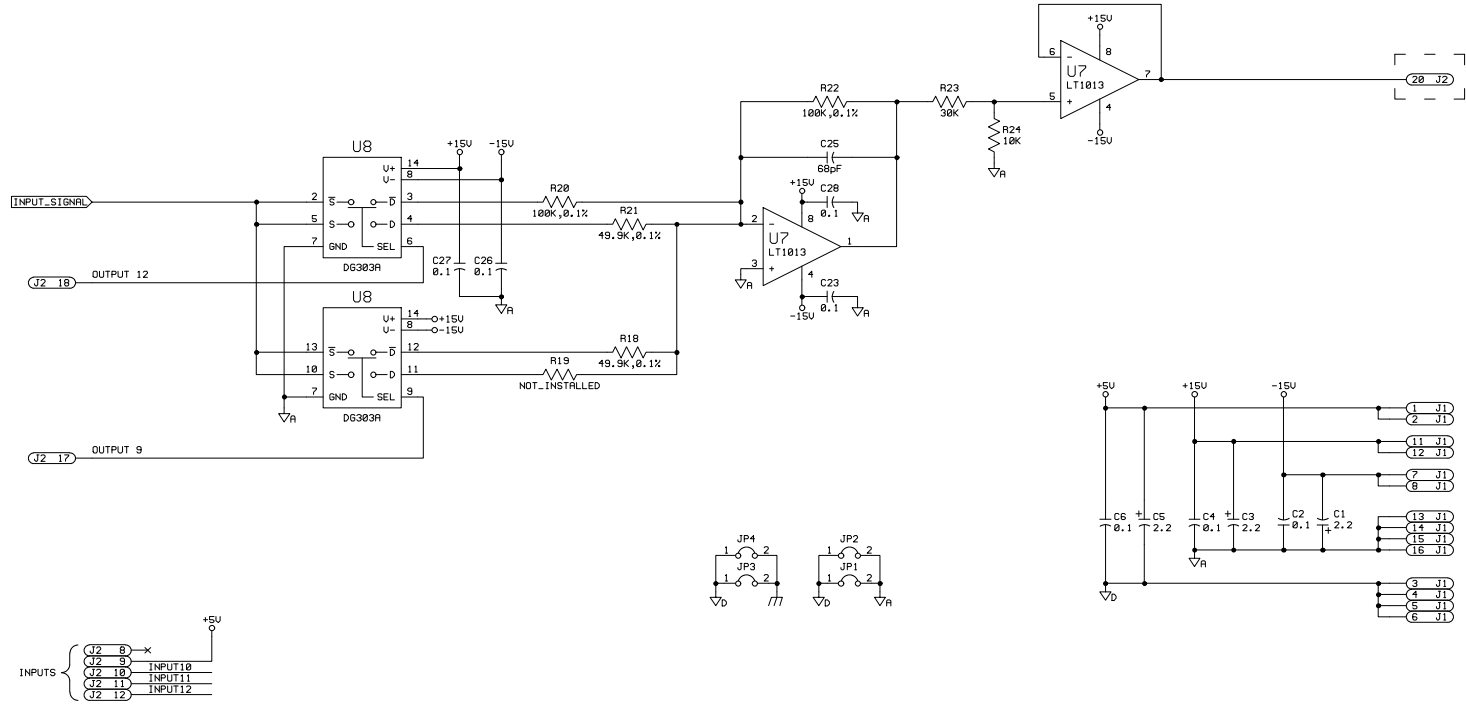


NOTES: UNLESS OTHERWISE SPECIFIED

1. PREPARED IAW DOCUMENTS LISTED:
 GRAPHIC SYMBOLS: ANSI Y32.2
 REFERENCE DESIGNATORS: ANSI Y32.16
 DEFINITIONS OF ENGR DWGS: ANSI Y14.15
2. FOR ASSEMBLY SEE C-65098.
3. RESISTANCE VALUES ARE IN OHMS, 1/8W, +/- 1%.
4. CAPACITANCE VALUES ARE IN MICROFARADS, 50V, +/-10%.

REV	DESCRIPTION	DATE	APP	REV
0	INITIAL RELEASE	4/22/96	RL	TTC
1	INC ECO 96-874			TTC



DO NOT SCALE DRAWING		TOLERANCES UNLESS OTHERWISE SPECIFIED: ANGLES ± 1° DIM LINES ± .005 ± .003 ± .005 ± .003	
SIGNATURES		DATE	
DRY	DATE	DATE	DATE
CHK	DATE	DATE	DATE
APP	DATE	DATE	DATE
DWR	DATE	DATE	DATE
D.P.	DATE	DATE	DATE
REFERENCE	DATE	DATE	DATE

TELEDYNE BROWN ENGINEERING Analytical Instruments CITY OF INDUSTRY, CALIFORNIA 91748		SCALE	NONE
SCHEMATIC DIAGRAM MODEL 2000 PREAMP BOARD		S/N	D-62367
		SHEET	1 of 2
Dwg No. D-65097		REV	1

REV	DESCRIPTION	DATE	APP	REV
	SEE SHEET 1			

