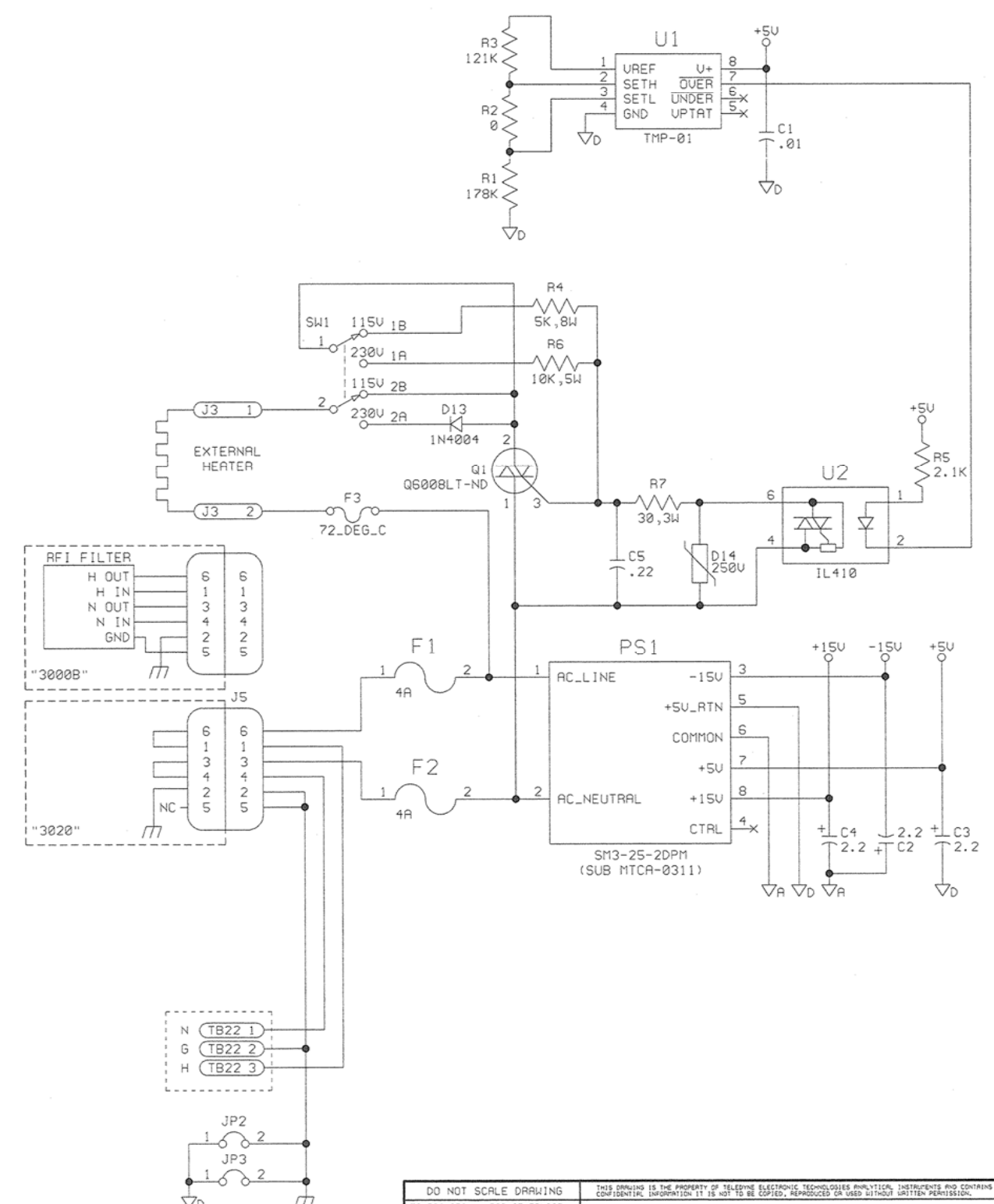
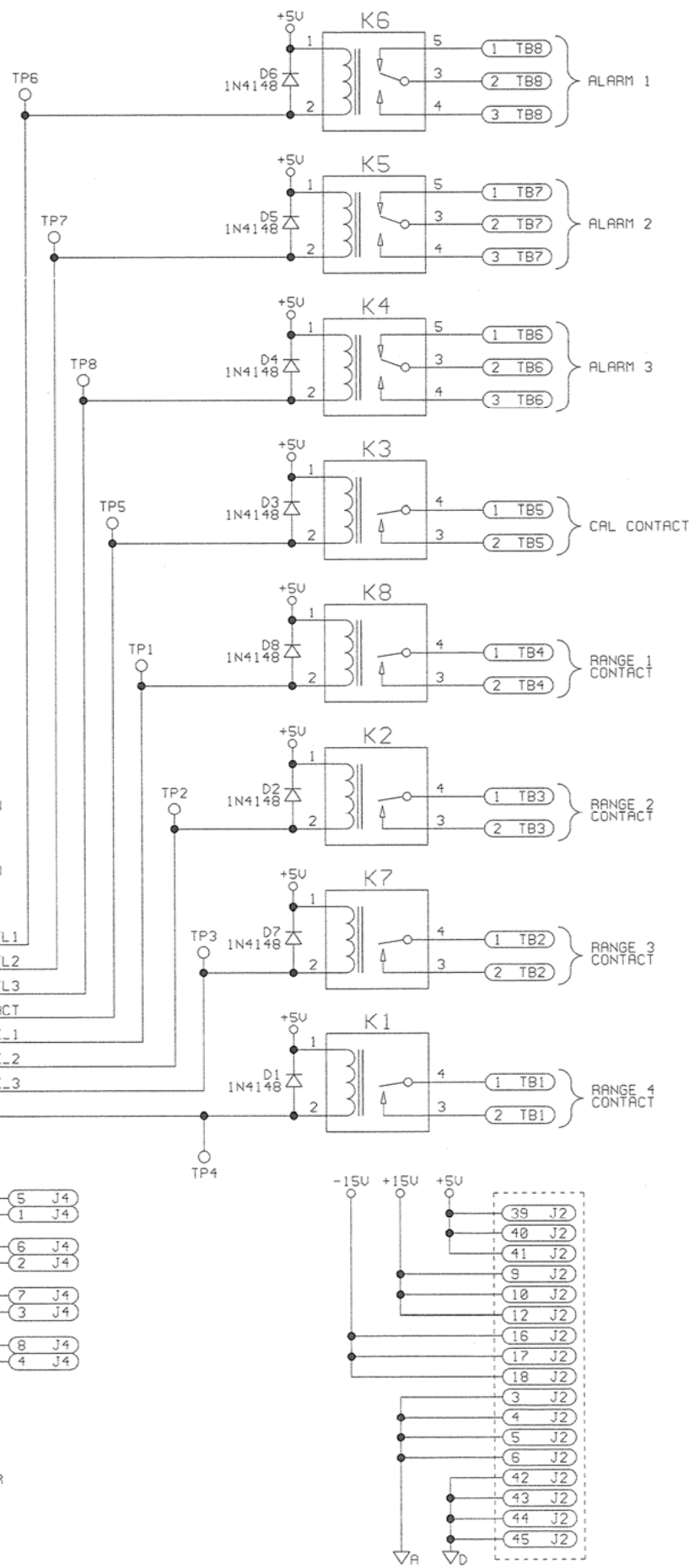
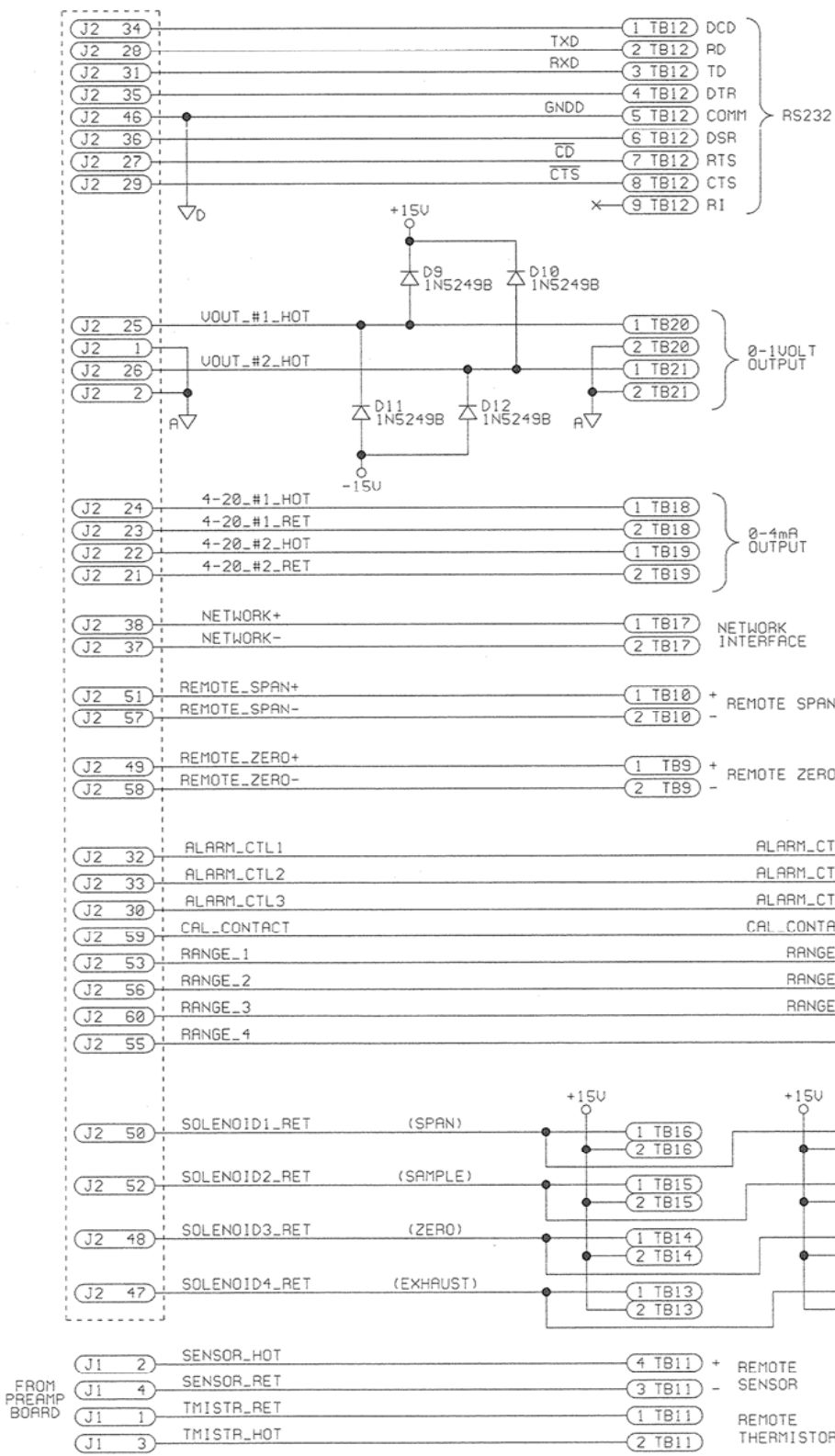


NOTES: UNLESS OTHERWISE SPECIFIED

1. PREPARED IAW DOCUMENTS LISTED:
 GRAPHIC SYMBOLS; ANSI Y32.2
 REFERENCE DESIGNATORS; ANSI Y32.16
 DEFINITIONS OF ENGR DWGS; ANSI Y14.15
2. FOR ASSEMBLY SEE D65295.
3. RESISTANCE VALUES ARE IN OHMS, 1/8W, +/- 1%.
4. CAPACITANCE VALUES ARE IN MICROFARADS, 50V, +/-10%.

REV	DESCRIPTION	DATE	APP	REV BY
0	INITIAL RELEASE ECD 96-250	4/9/96	SB	THC
1	INCORPORATED ECD 96-1193	12/5/96	AA	THC
2	INCORPORATED ECD 98-0022	1/23/98	KP	THC
3	INCORPORATED ECD 98-0405	10/23/98	AA	THC



DO NOT SCALE DRAWING		THIS DRAWING IS THE PROPERTY OF TELEDYNE ELECTRONIC TECHNOLOGIES ANALYTICAL INSTRUMENTS AND CONTAINS CONFIDENTIAL INFORMATION IT IS NOT TO BE COPIED, REPRODUCED OR USED WITHOUT WRITTEN PERMISSION.	
TOLERANCES UNLESS OTHERWISE SPECIFIED: ANGULAR: ± 1/2 DEG		TELEDYNE ELECTRONIC TECHNOLOGIES ANALYTICAL INSTRUMENTS	
LINEAR: .XX = ± .1 .XXX = ± .03 .XXXX = ± .010		SCHEMATIC DIAGRAM MODEL 3020 BACK PANEL PCB	
SIGNATURES	DATE	SCALE	NONE
DRAFT: T.MCINTYRE	3/20/98	SIN	
CHK:		SHEET	1 OF 1
APP:			
ENGR:			
S.O.:			
REFERENCE	CRD ID: D65294-3.SCH	DWG NO.	D-65294
		REV	3