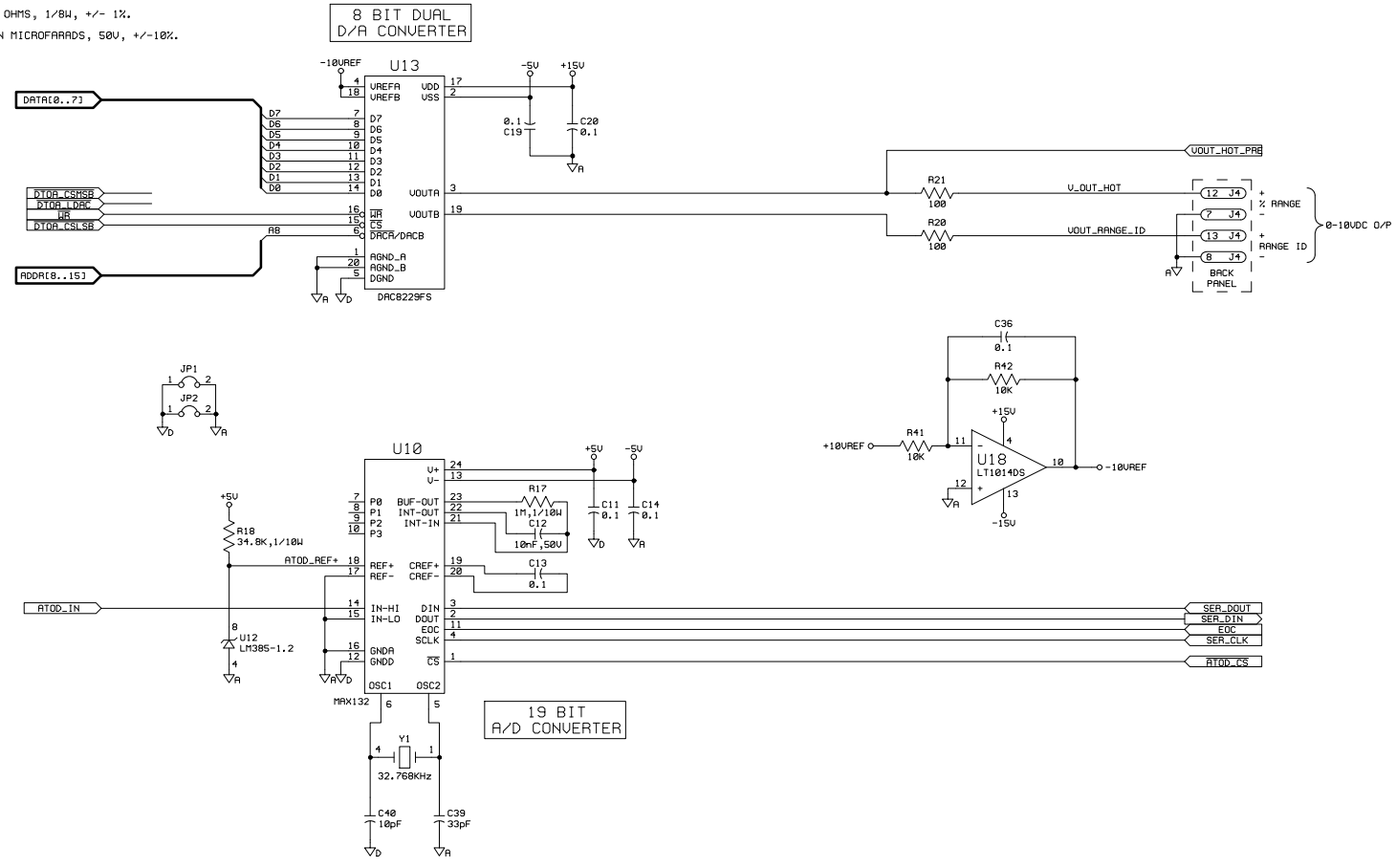


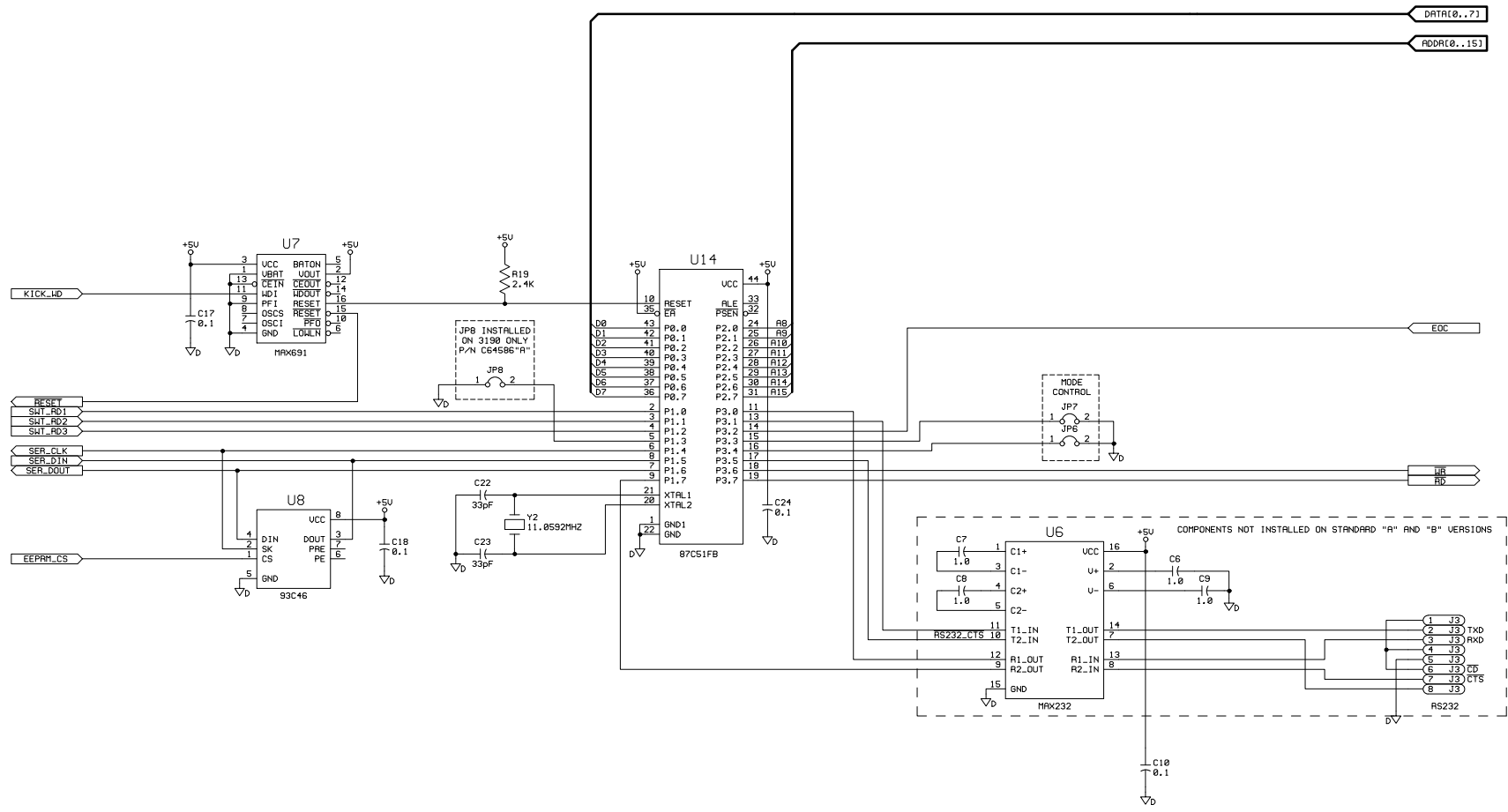
Dwg. No. D-65305		REV 1	REV 2	1
REVISIONS				
DATE	DESCRIPTION	DATE	APPROVED	
0	INITIAL RELEASE ECO 96-066	1/30/96	RA	
1	INC ECO 96-178	XXXX	XX	
2	INC ECO 99-0116			

- NOTES: UNLESS OTHERWISE SPECIFIED
1. PREPARED IAW DOCUMENTS LISTED:
 GRAPHIC SYMBOLS: ANSI Y32.2
 REFERENCE DESIGNATORS: ANSI Y32.16
 DEFINITIONS OF ENGR DMGS: ANSI Y14.15
 2. FOR ASSEMBLY SEE C-65220 A THRU G.
 3. RESISTANCE VALUES ARE IN OHMS, 1/8W, +/- 1%.
 4. CAPACITANCE VALUES ARE IN MICROFARADS, 50V, +/-10%.

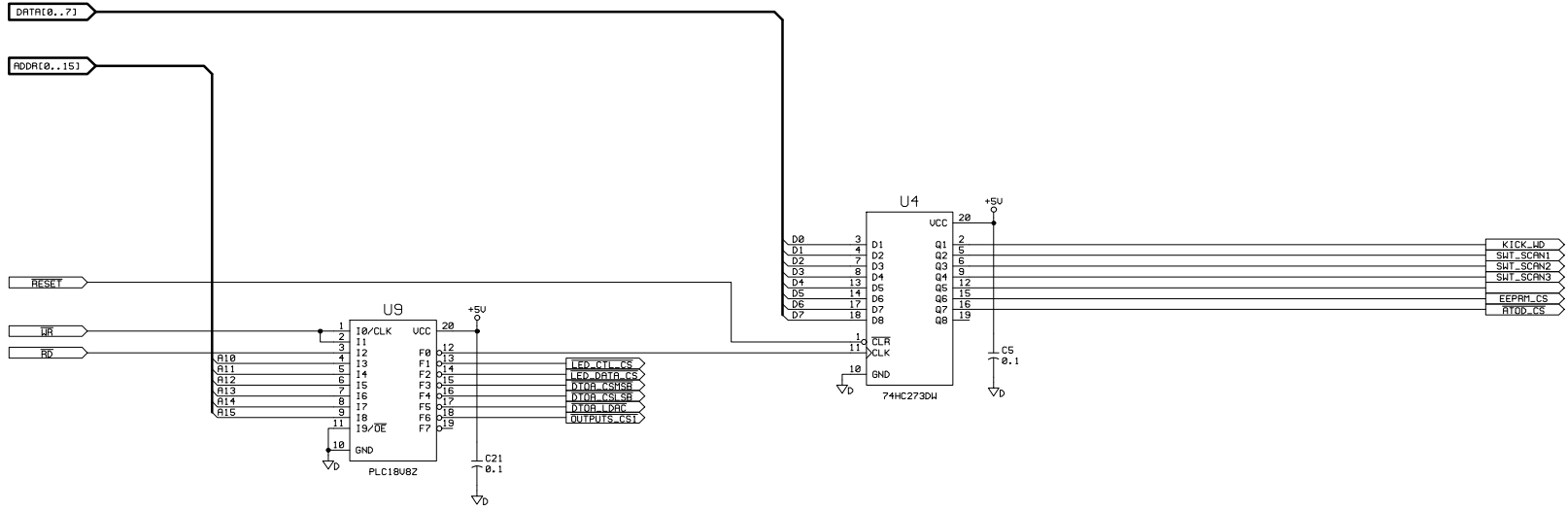


TOLERANCE (ALL UNLESS OTHERWISE SPECIFIED)	THIS DRAWING IS THE PROPERTY OF TELEDYNE ANALYTICAL INSTRUMENTS AND CONTAINS CONFIDENTIAL INFORMATION. IT IS NOT TO BE COPIED, REPRODUCED OR USED IN ANY MANNER WITHOUT PERMISSION.	SCALE	NONE	BY	T.AC/TRENT
NO UNIT SCALE SHOWN		ENGR		APP	
REC. X 1/1	TELEDYNE ANALYTICAL INSTRUMENTS	A BUSINESS UNIT OF TELEDYNE ELECTRONIC TECHNOLOGIES			
DRW. CODES - 02		INTERNAL			
		PRTN			
		SCHEMATIC DIAGRAM - MODEL 3190/3290 MAIN BOARD (ALT)			
			D-65305	REV 2	
			DATE 10/19/95	SHEET 1	OF 7

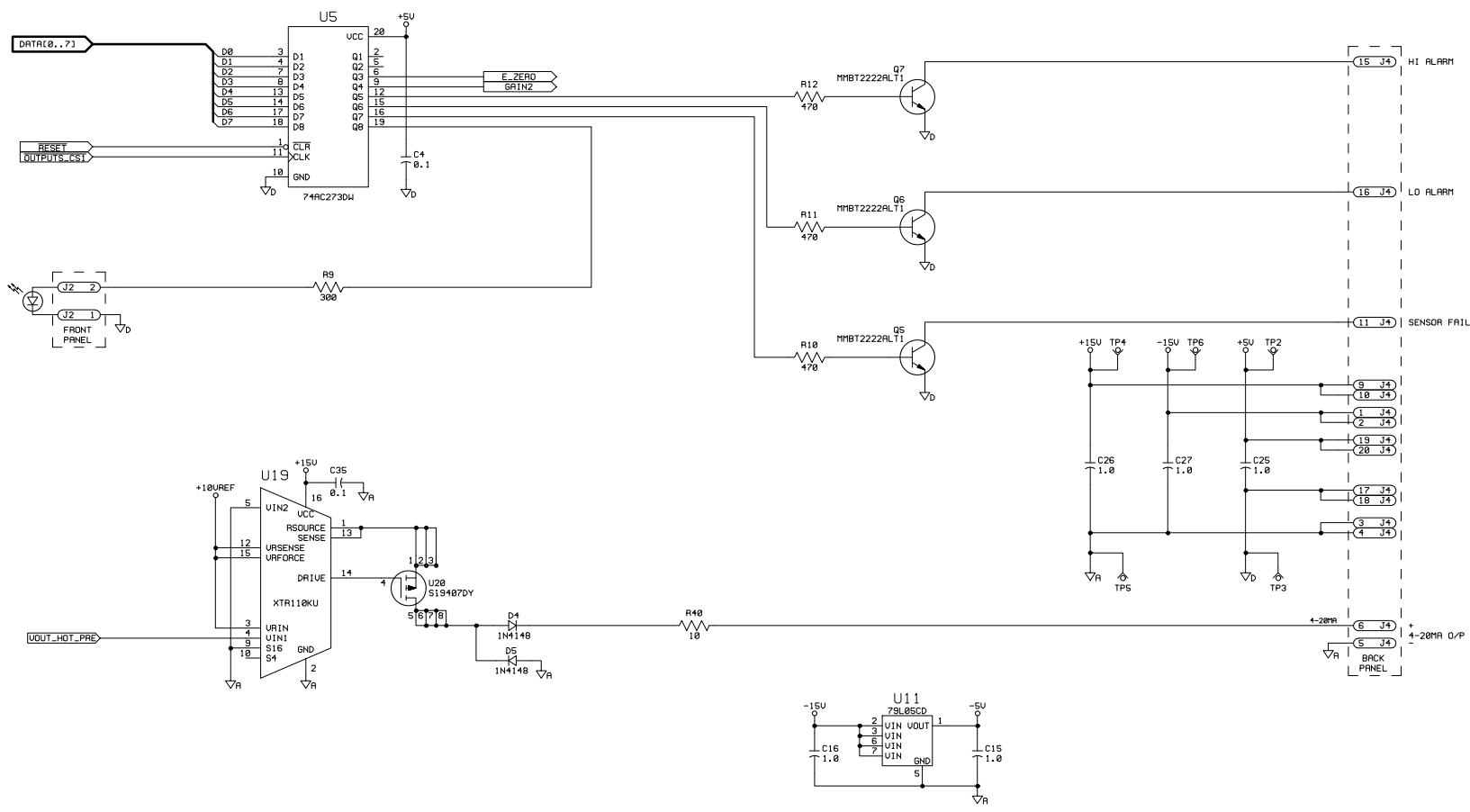
Dwg. No. D-65305		SH 2	REV 2	1	
REVISIONS					
DATE	REV	DESCRIPTION	DATE	APPROVED	
SEE SHEET 1					



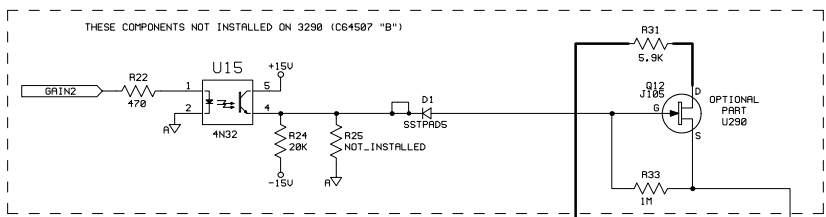
DAB. NO. D-54305		SH. 2	REV. 2
REVISIONS			
ZONE	REV.	DESCRIPTION	DATE
SEE SHEET 1			APPROVED



Dwg. No.		D-65305		SH	4	REV	2
REVISIONS							
ZONE	REV	DESCRIPTION				DATE	APPROVED
SEE SHEET 1							



Dwg. No. D-65305		SH 5	REV 2	1
REVISIONS				
DATE	APPROVED	DESCRIPTION	REV	IDW
		SEE SHEET 1		

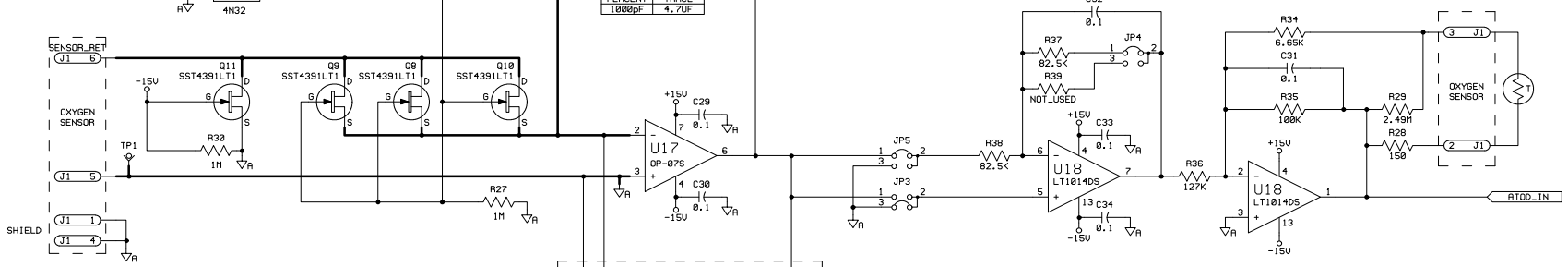
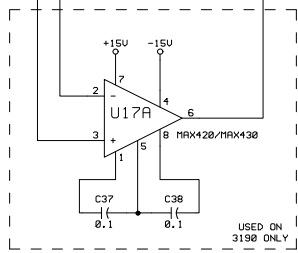
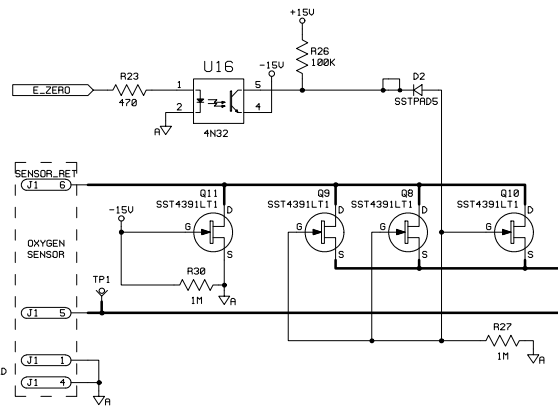


* VALUE FOR R32

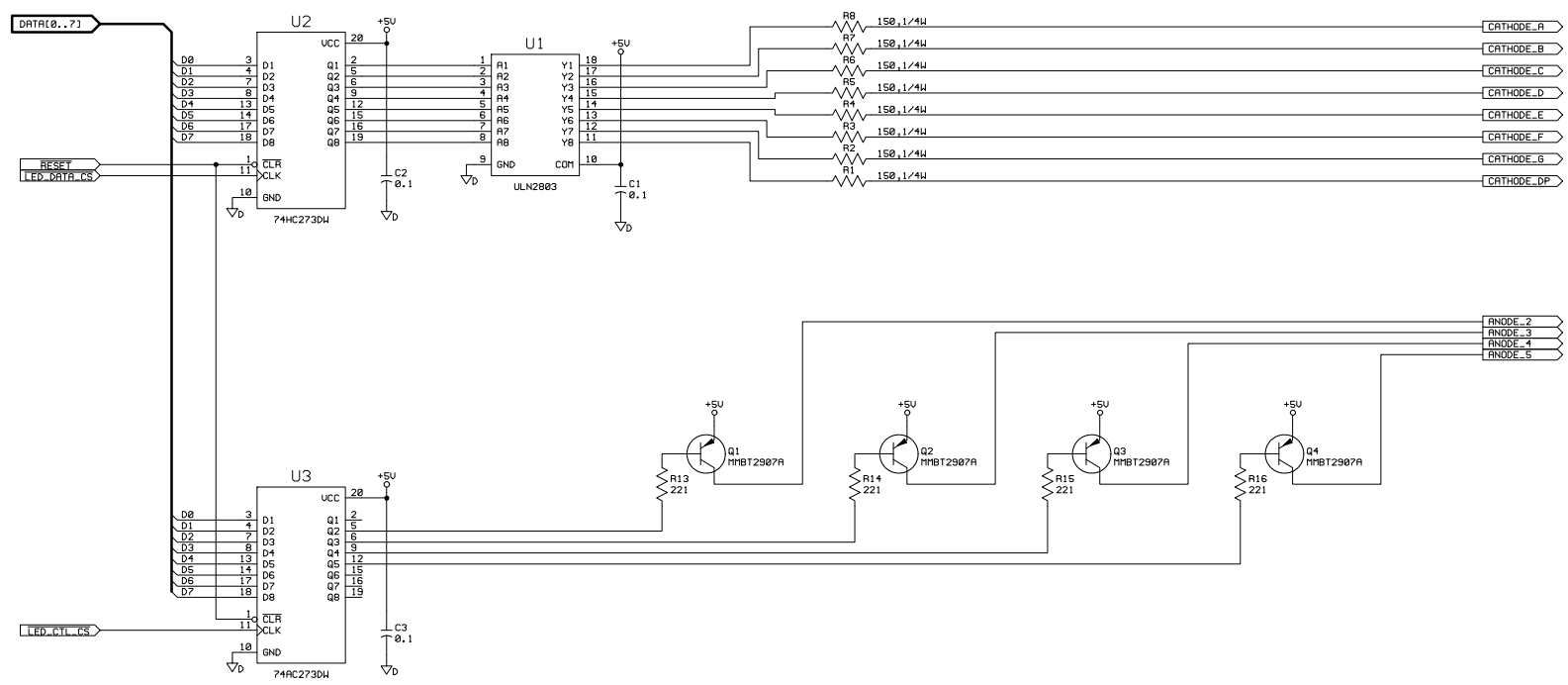
PERCENT	TRACE	3350
82.5K	1.5M	15.4K

* VALUE FOR C28

PERCENT	TRACE
1000pF	4.7uF



Dwg. No.		D-65305	SH	G	REV	2
REVISIONS						
IDW	REV	DESCRIPTION			DATE	APPROVED
SEE SHEET 1						



DIB. NO.		D-65305	SH 7	REV 2
REVISIONS				
ID#	REV	DESCRIPTION	DATE	APPROVED
SEE SHEET 1				

