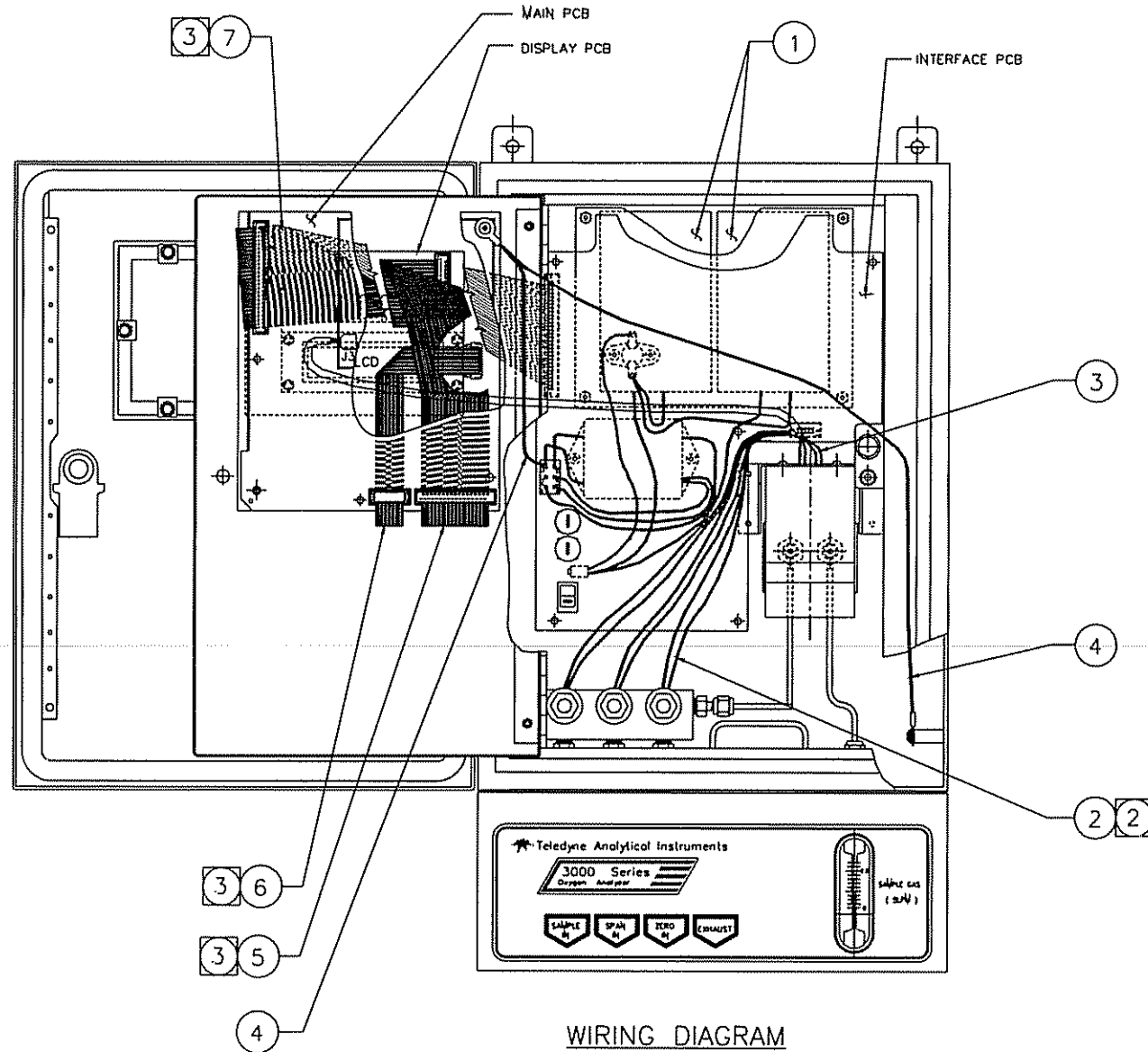


NOTES: UNLESS OTHERWISE SPECIFIED

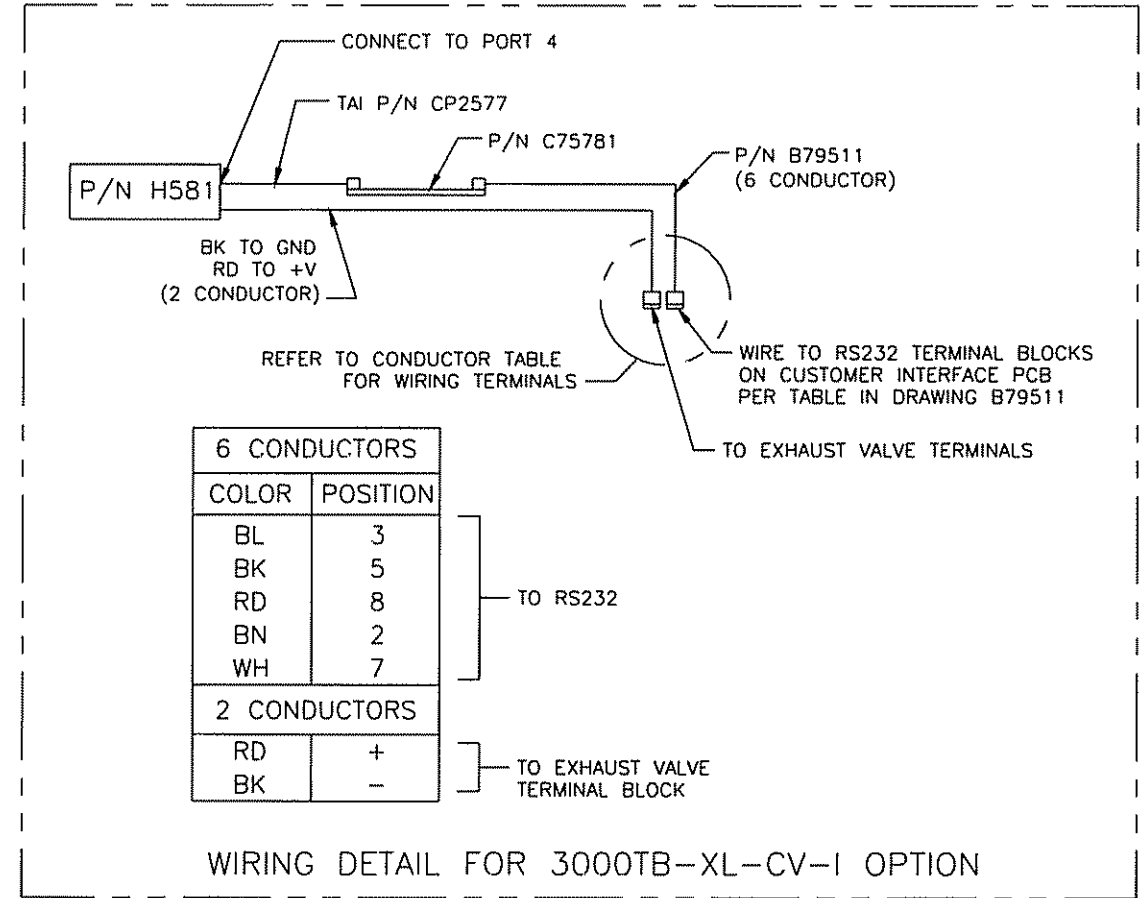
- ①
- ② ITEM 2 IS FOR CONTROL VALVE OPTION ONLY
- ③ ITEM 5 (35 PIN RIBBON CABLE), 6 (14 PIN RIBBON CABLE) & 7 (60 PIN RIBBON CABLE) TO BE ROUTED BETWEEN ISOLATION SHEET (P/N B66878) AND PCB MOUNTING BRACKET (P/N B66678)
- ④ TRY TO KEEP WIRING AWAY FROM HEAT SINKS



| REVISIONS | | | | |
|-----------|-------------------|---------|------|---------|
| REV | DESCRIPTION | DATE | APP. | REV. BY |
| 1 | INC. ECO# 97-0221 | 3-25-97 | R.N. | VF |
| 2 | INC. ECO# 99-0007 | 1/26/99 | A.A. | M.V. |
| 3 | INC. ECO 07-0039 | 1/29/07 | AA | VF |



WIRING DIAGRAM
DOOR OPENED



WIRING DETAIL FOR 3000TB-XL-CV-1 OPTION

| ITEM | QTY | PART NO. | DESCRIPTION |
|------|-------------|---|---|
| ③ | 7 | REF B-66876 | RIBBON CABLE ASSY (MAIN PCB - CUSTOMER INTERFACE PCB) |
| ③ | 6 | REF B-66828 | RIBBON CABLE ASSY (MAIN PCB - LCD PCB) |
| ③ | 5 | REF B-66829 | RIBBON CABLE ASSY (MAIN PCB - DISPLAY PCB) |
| 4 | REF B-66877 | EMI FILTER & GROUNDING WIRING ASSY | |
| 3 | REF B-65917 | WIRING ASSY (SENSOR BLOCK - PREAMP PCB) | |
| 2 | REF B-65915 | WIRING ASSY (CONTROL VALVES - CUSTOMER INTERFACE PCB) | |
| 1 | REF B-67446 | WIRING ASSY (HEATER TO CUSTOMER INTERFACE PCB) | |

| | | | |
|---|----------------------|--|--|
| DO NOT SCALE DWG | | THIS DRAWING IS THE PROPERTY OF TELEDYNE INSTRUMENTS AND CONTAINS CONFIDENTIAL INFORMATION. IT IS NOT TO BE COPIED, REPRODUCED OR USED WITHOUT WRITTEN PERMISSION. | |
| TOLERANCE UNLESS OTHERWISE SPECIFIED: ANGULAR ±1/2° | | TELEDYNE INSTRUMENTS Analytical Instruments A Teledyne Technologies Company CITY OF INDUSTRY, CALIFORNIA 91744 | |
| LINEAR .XX = ±.02 .XXX = ±.010 | | SIGNATURES DATE TITLE | |
| H/ | DRFT: BILL TAPING | 8-28-98 | |
| I/ | CHK: | | |
| O/ | APPR: B. TAPING | 7-29-98 | |
| P/ | ENCR: WILLIAM TAPING | | |
| F/ D-66673 | C.O. | | |
| REFERENCE | CAD ID D66675-3 | | |

| | | |
|--|--|---------|
| TITLE | | SCALE |
| WIRING DIAGRAM OXYGEN ANALYZER MODEL 3000TB/PB | | 1/2 |
| SHEET | | 1 OF 1 |
| MATERIAL | | DWG NO. |
| - LISTED - | | D-66675 |
| REV | | 3 |