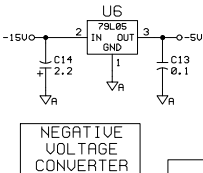
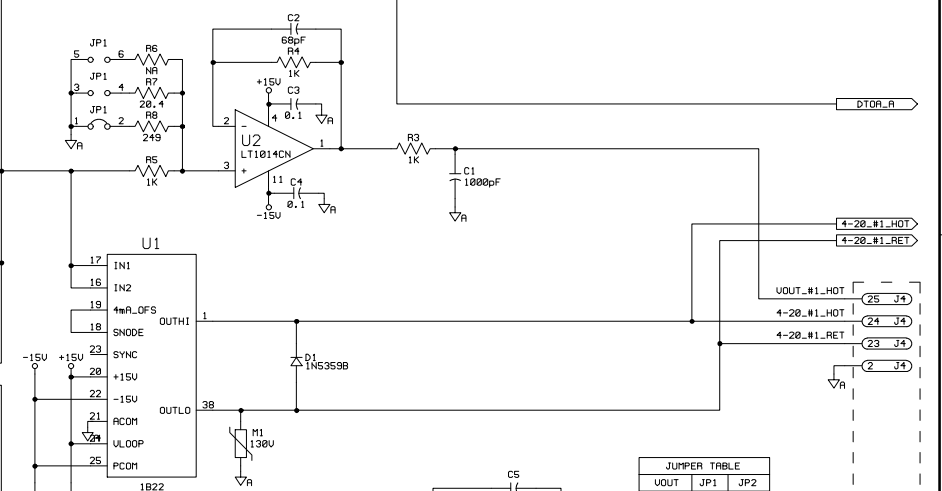
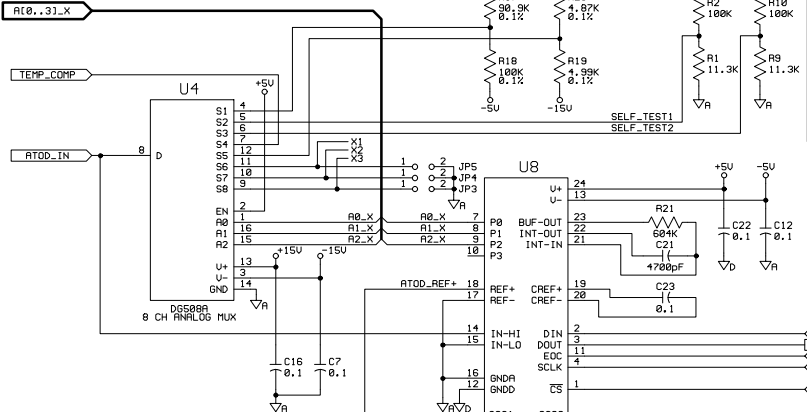
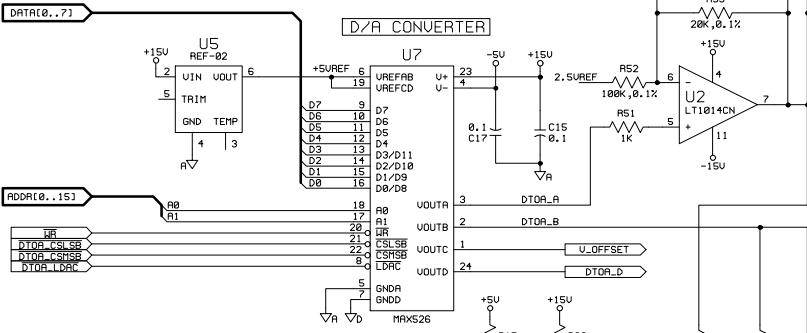


Dwg. No. D-67447		Rev. 2	REVISIONS	
DATE	DESCRIPTION	DATE	APPROVED	
0	PRODUCTION RELEASE ECO 97-0824			

- NOTES: UNLESS OTHERWISE SPECIFIED:
1. PREPARED IAW DOCUMENTS LISTED:  
GRAPHIC SYMBOLS: ANSI Y32.2  
REFERENCE DESIGNATORS: ANSI Y32.16  
DEFINITIONS OF ENGR DMGS: ANSI Y14.15
  2. FOR ASSEMBLY SEE C67435.
  3. RESISTANCE VALUES ARE IN OHMS, 1/8W, +/- 1%.
  4. CAPACITANCE VALUES ARE IN MICROFARADS, 50V, +/- 10%.



D/A CONVERTER



JUMPER TABLE

UOUT	JP1	JP2
0-1V	1-2	1-2
0-100MV	3-4	3-4
0-5V	5-6	5-6

DO NOT SCALE DRAWING

TOLERANCES UNLESS OTHERWISE SPECIFIED: DIMENSIONS: FRACTIONS = 1/32 DECIMALS = 0.005 LINEAR = 0.005 ANGLES = 1.000

TELEDYNE ANALYTICAL INSTRUMENTS  
A BUSINESS UNIT OF TELEDYNE ELECTRONIC TECHNOLOGIES

SIGNATURES: DATE: SCALE: NONE

DRY: T:IC:INTYRE: 100/20/90: SPC: D62364

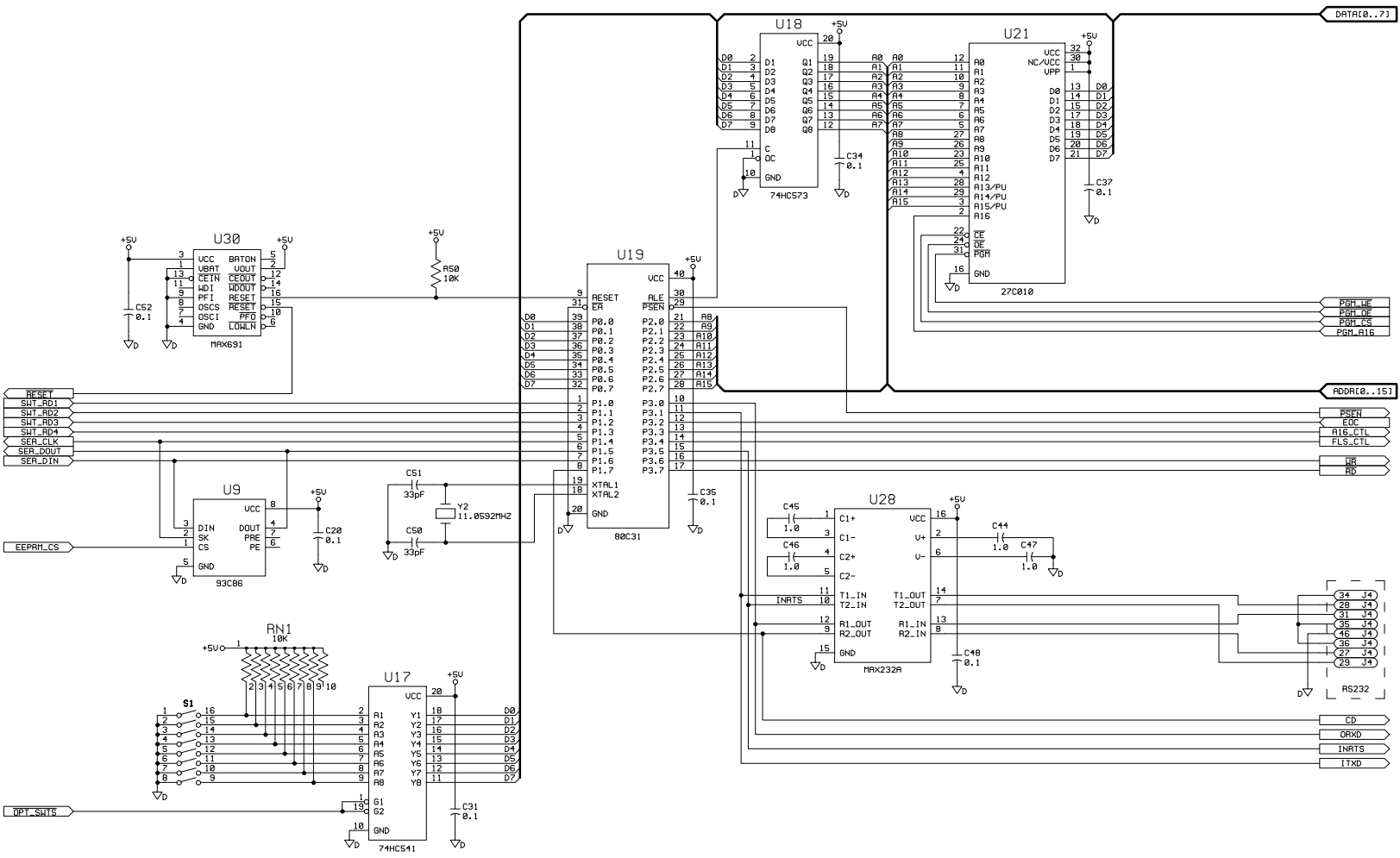
LV: APPR: SHEET: 1 of 6

FV: ENR: REF: 1

DV: S.D.1: REF: 0

REFERENCE: DWG NO: D67447-1, SCH: D-67447

DIB. NO. D-67447		REV. 0	
REVISIONS			
DATE	REV.	DESCRIPTION	APPROVED
		SEE SHEET 1	

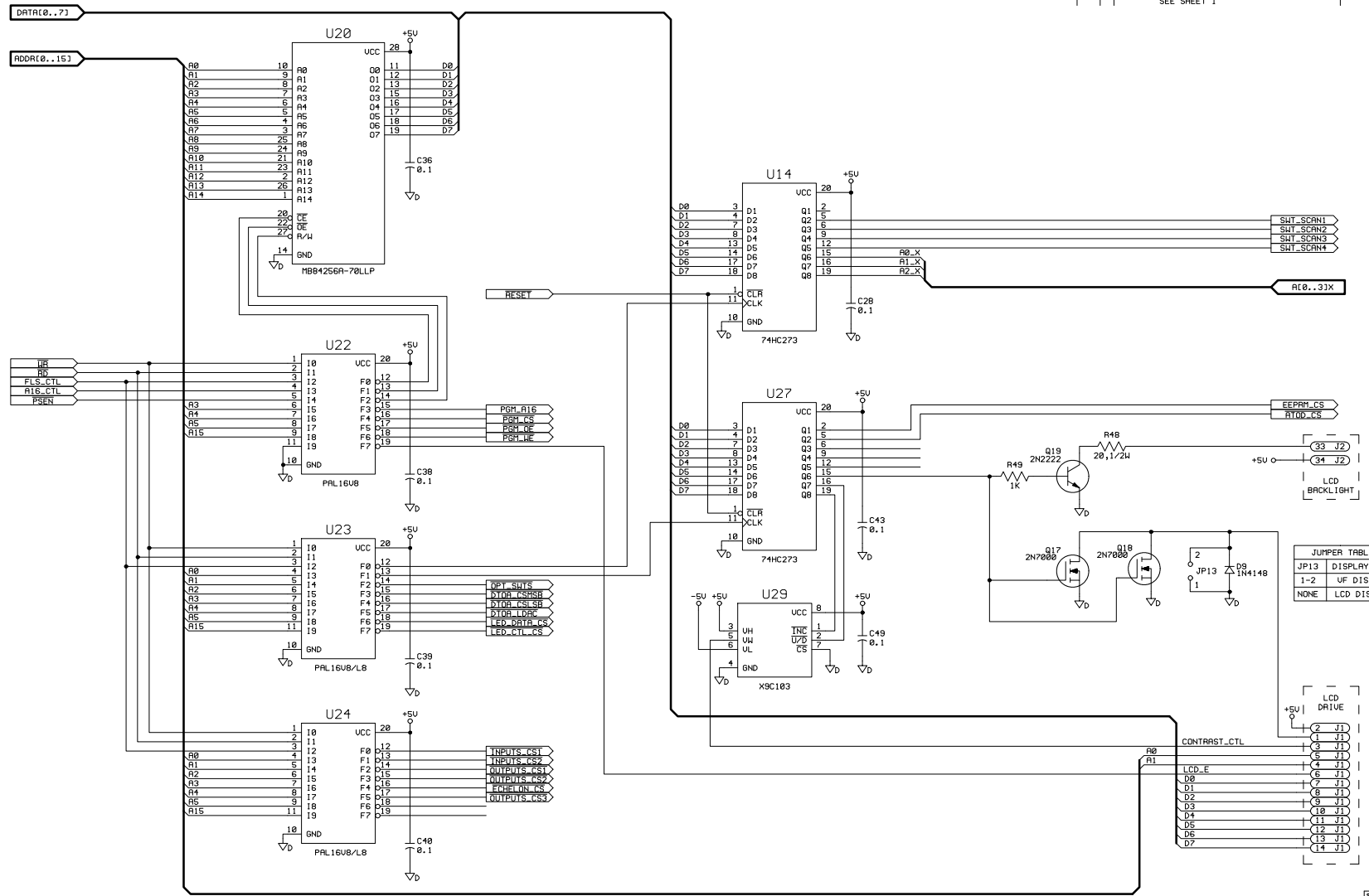


- RESET
- SUT\_RD1
- SUT\_RD2
- SUT\_RD3
- SUT\_RD4
- SER\_CLK
- SER\_DOUT
- SER\_DIN

- P0H\_HE
- P0H\_OE
- P0H\_CS
- P0H\_A16
- P0DR0..151
- PSEN
- EOC
- A16\_CTL
- F15\_CTL
- WR
- RD

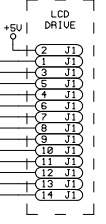
- 34 34
- 28 34
- 31 34
- 35 34
- 46 34
- 36 34
- 27 34
- 29 34
- RS232
- CD
- GND
- INRTS
- TXD

DAB. NO. D-67447		REV. 2	1	
REVISIONS				
DATE	REV.	DESCRIPTION	DATE	APPROVED
SEE SHEET 1				

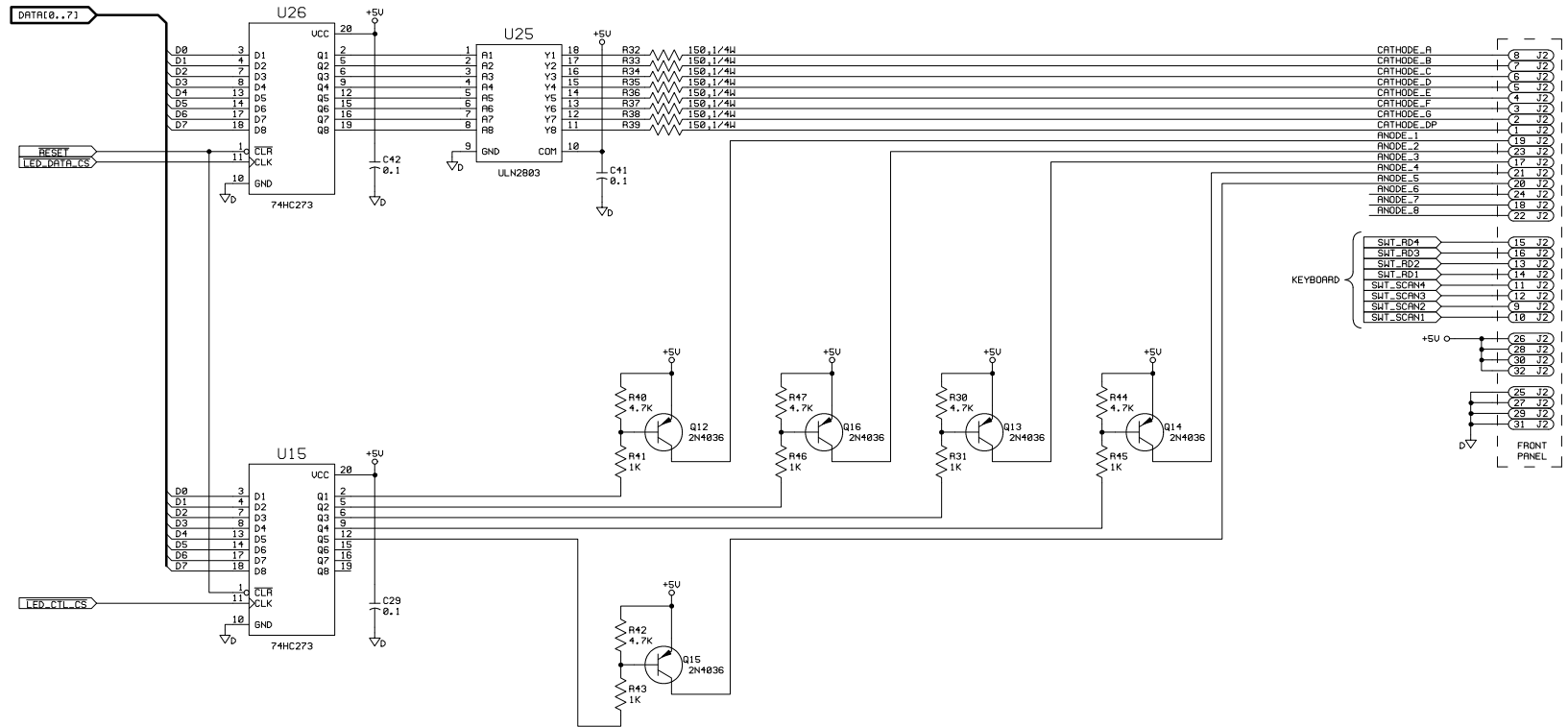


JUMPER TABLE

JP13	DISPLAY TYPE
1-2	UF DISPLAY
NONE	LCD DISPLAY

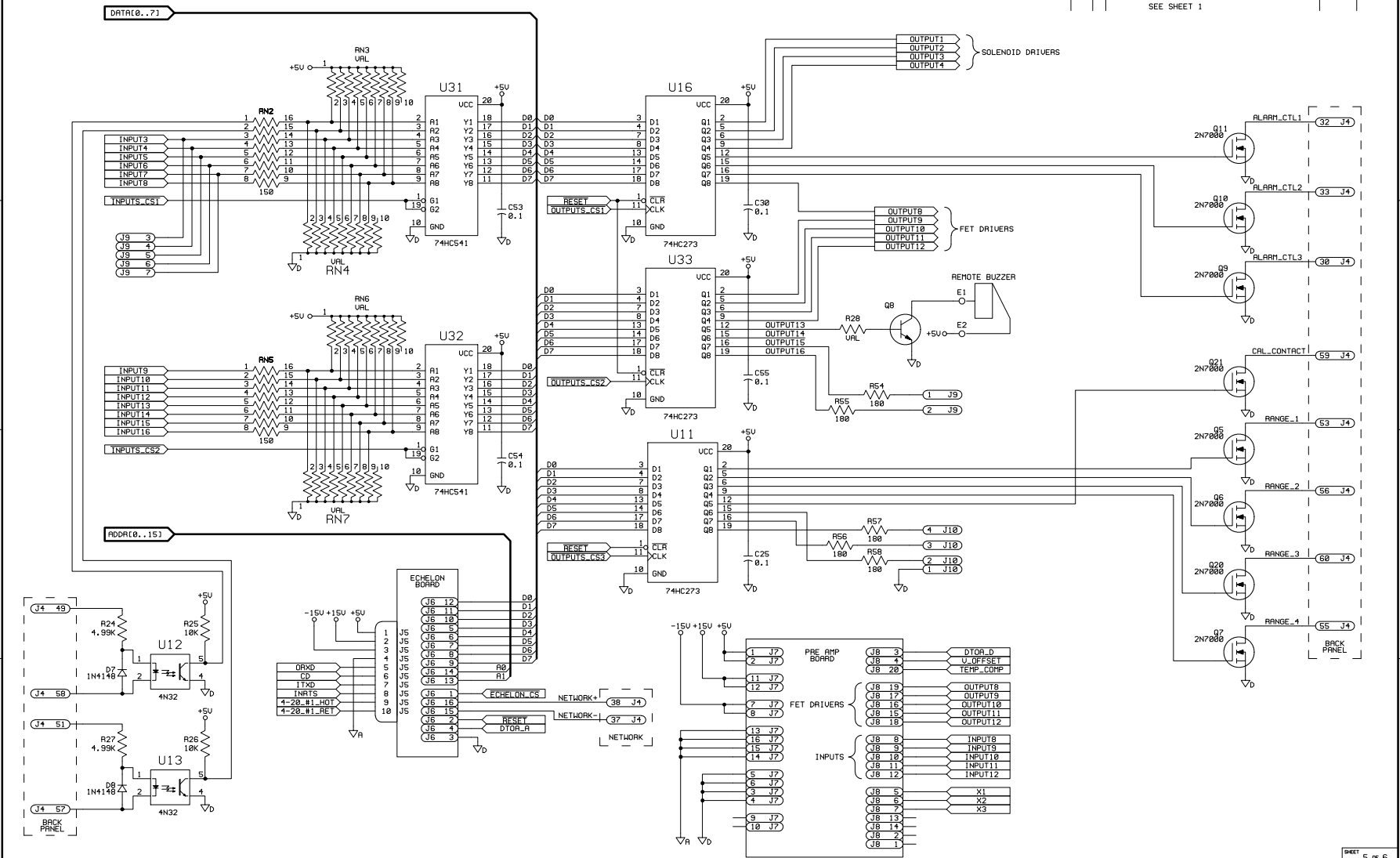


DIB. NO. D-67447		REV. 0	
REVISIONS			
DATE	REV.	DESCRIPTION	APPROVED
SEE SHEET 1			



- CATHODE\_A [ 8 J2 ]
  - CATHODE\_B [ 7 J2 ]
  - CATHODE\_C [ 6 J2 ]
  - CATHODE\_D [ 5 J2 ]
  - CATHODE\_E [ 4 J2 ]
  - CATHODE\_F [ 3 J2 ]
  - CATHODE\_G [ 2 J2 ]
  - CATHODE\_DP [ 1 J2 ]
  - ANODE\_1 [ 19 J2 ]
  - ANODE\_2 [ 18 J2 ]
  - ANODE\_3 [ 17 J2 ]
  - ANODE\_4 [ 21 J2 ]
  - ANODE\_5 [ 20 J2 ]
  - ANODE\_6 [ 24 J2 ]
  - ANODE\_7 [ 28 J2 ]
  - ANODE\_8 [ 18 J2 ]
  - ANODE\_8 [ 22 J2 ]
- 
- SWT\_RD4 [ 15 J2 ]
  - SWT\_RD3 [ 16 J2 ]
  - SWT\_RD2 [ 13 J2 ]
  - SWT\_RD1 [ 14 J2 ]
  - SWT\_SCRN4 [ 11 J2 ]
  - SWT\_SCRN3 [ 12 J2 ]
  - SWT\_SCRN2 [ 9 J2 ]
  - SWT\_SCRN1 [ 18 J2 ]
- 
- +5U [ 26 J2 ]
  - [ 28 J2 ]
  - [ 30 J2 ]
  - [ 32 J2 ]
- 
- [ 25 J2 ]
  - [ 27 J2 ]
  - [ 29 J2 ]
  - [ 31 J2 ]
- FRONT PANEL

Dwg. No. D-67447		SH 5	REV 0	1
REVISIONS				
DATE	REV	DESCRIPTION	DATE	APPROVED
SEE SHEET 1				



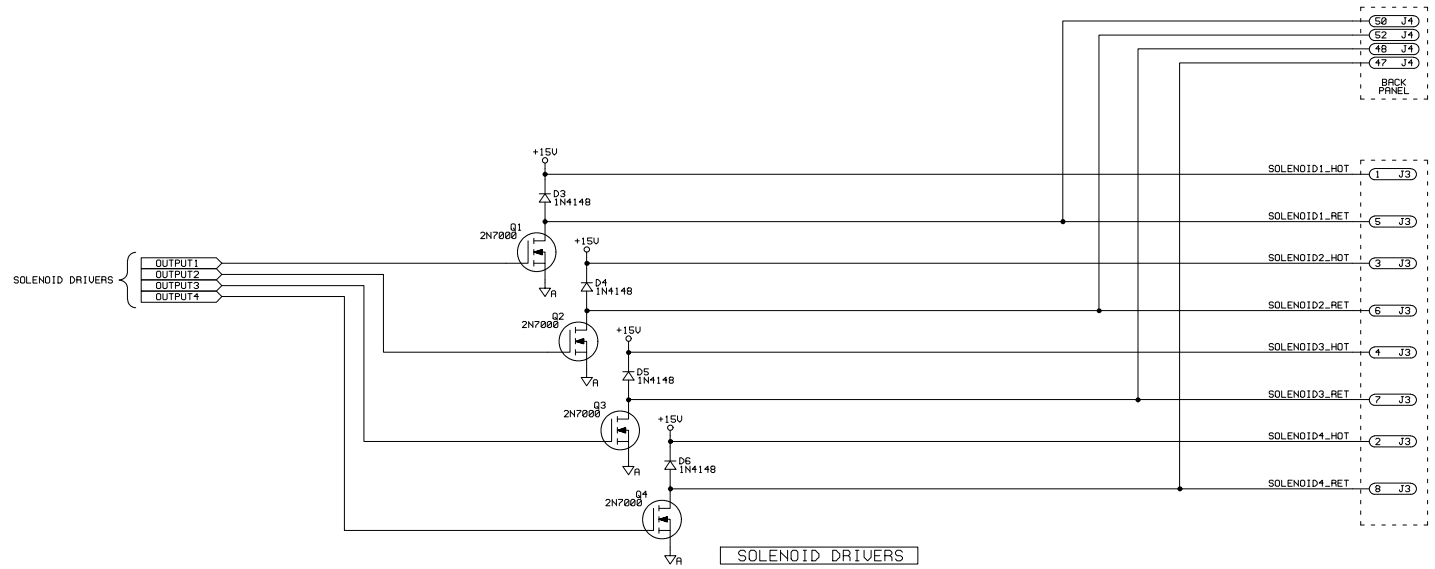
Dwg. No. D-67447		SH 6	REV 0
REVISIONS			
IDW	REV	DESCRIPTION	DATE APPROVED
SEE SHEET 1			

D

C

B

A



SOLENOID DRIVERS

