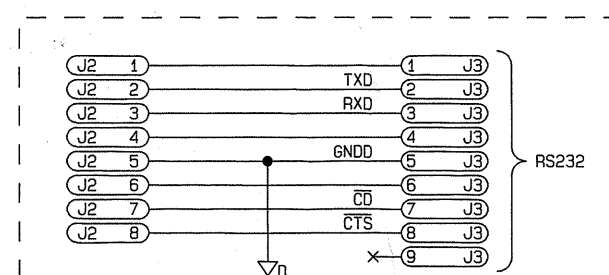
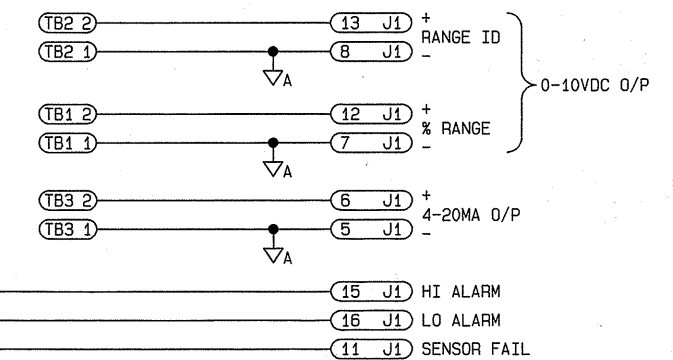
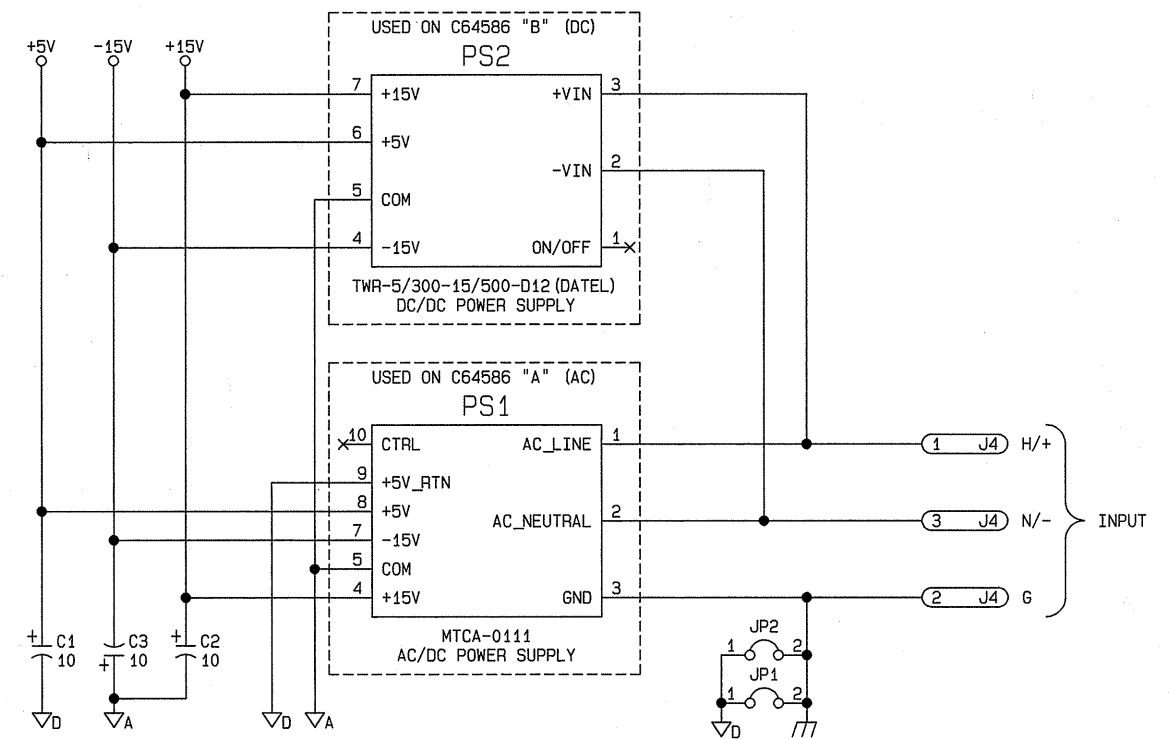
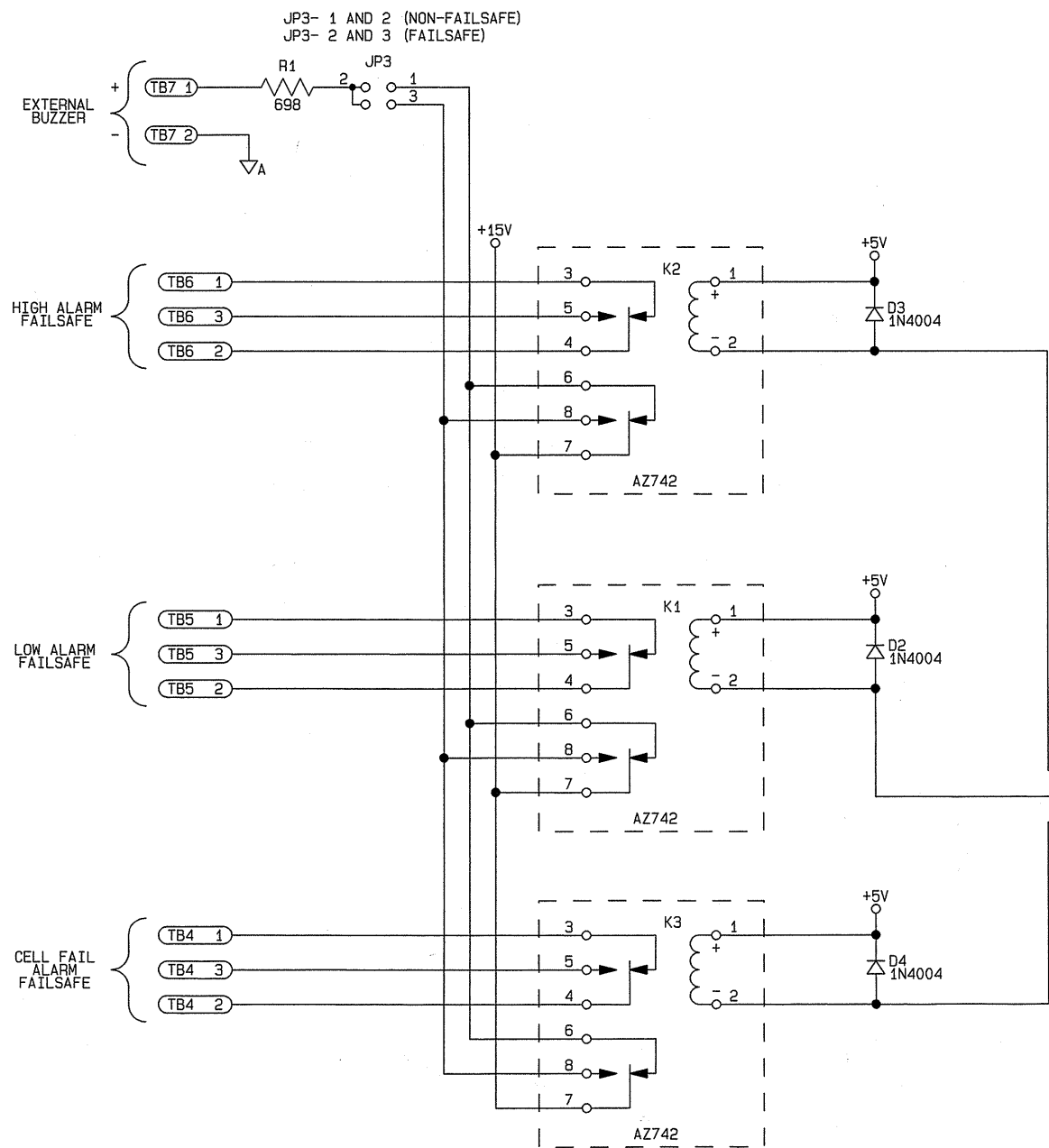


DWG. NO.	D-70739	SH 1	REV 0
REVISIONS			
ZONE	REV	DESCRIPTION	DATE
	0	INITIAL RELEASE ECO 99-0116	1/29/99
			APPROVED

NOTES: UNLESS OTHERWISE SPECIFIED

- PREPARED IAW DOCUMENTS LISTED:
 GRAPHIC SYMBOLS: ANSI Y32.2
 REFERENCE DESIGNATORS: ANSI Y32.16
 DEFINITIONS OF ENGR DWGS: ANSI Y14.15
- FOR ASSEMBLY SEE C-70740A (AC) AND C-70740B (DC)
 C-70740C (AC W/RS232) AND C-70740D (DC W/RS232).
- RESISTANCE VALUES ARE IN OHMS, 1/8W, +/- 1%.
- CAPACITANCE VALUES ARE IN MICROFARADS, 50V, +/-10%.



COMPONENTS NOT INSTALLED ON STANDARD "A" AND "B" VERSIONS

TOLERANCE UNLESS OTHERWISE SPECIFIED	THIS DRAWING IS THE PROPERTY OF TELEDYNE ANALYTICAL INSTRUMENTS AND CONTAINS CONFIDENTIAL INFORMATION. IT IS NOT TO BE COPIED, REPRODUCED OR USED WITHOUT WRITTEN PERMISSION.	SCALE	NONE	DR	T.MCINTYRE
DO NOT SCALE THIS		ENGR		APP	
DEC .X -1		MATERIAL			
.XX		FINISH			
.XXX					
BREAK EDGES .02					
F/		SHEMATIC DIAGRAM - MODEL 3350 POWER SUPPLY BOARD		REV 0	
N/		D-70739		DATE	2/26/99
S.O.		SHEET 1 OF 1			