

NOTES: UNLESS OTHERWISE SPECIFIED

5. CAPACITORS C1,C2,C3,C4,C6,C7, & C40 ARE NOT INSTALLED

6. THE DISPLAY HAS NO INDUCTIVE COMPONENTS, NO VOLTAGE GENERATING OR ENHANCING CIRCUITS AND A MAXIMUM TOTAL CAPACITANCE INCLUDING TOLLARANCE OF 0.77 UF. THE FOLLOWING COMPONENTS ONLY ARE FITTED:

1. PREPARED DRAW DOCUMENTS LISTED:

GRAPHIC SYMBOLS: ANSI Y32.2
 REFERENCE DESIGNATORS: ANSI Y32.16
 DEFINITIONS OF ENGR DUGS: ANSI Y14.15

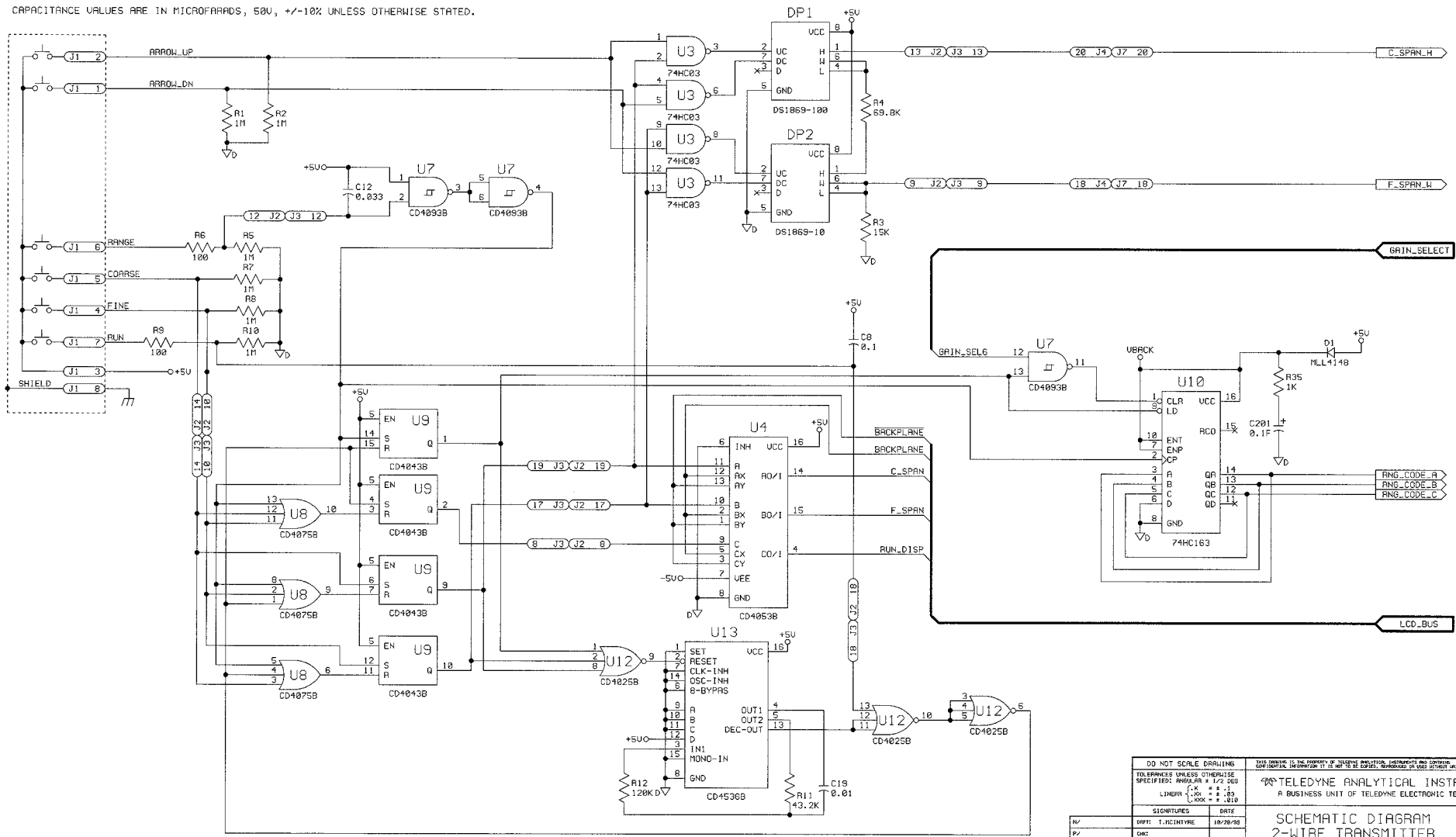
2. FOR ASSEMBLY SEE D7115S.

3. RESISTANCE VALUES ARE IN OHMS, 1/8W, +/- 1% UNLESS OTHERWISE STATED.

4. CAPACITANCE VALUES ARE IN MICROFARADS, 50V, +/-10% UNLESS OTHERWISE STATED.

A. MAX 138 PLCC PKG., TC4S11F SSOP5-P PKG., 6 CAPACITORS 1206 PKG.
 B. 5 RESISTORS 1206 PKG.
 C. ONE 2K TRIM POT RATED AT 50VDC 0.2W @70 DEG. C

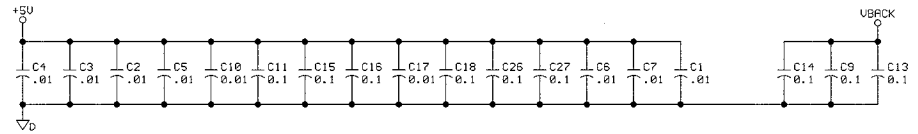
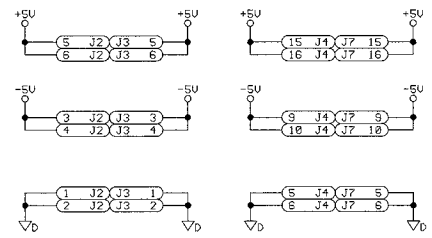
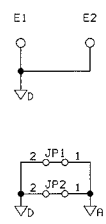
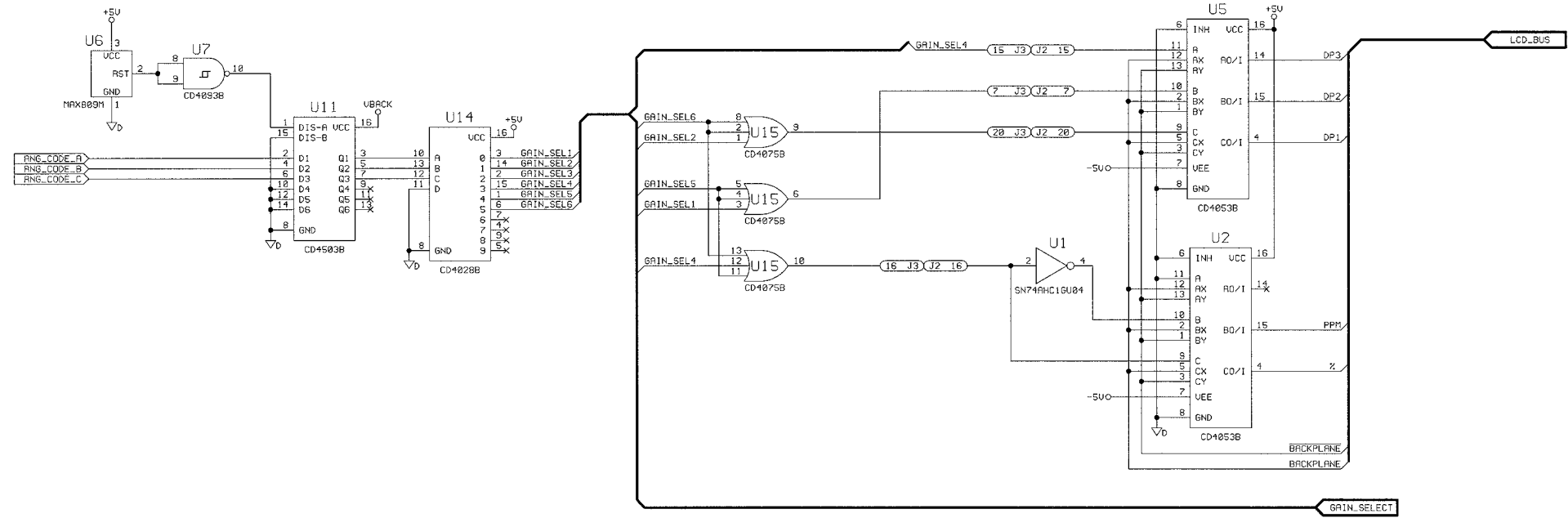
REV	DESCRIPTION	DATE	APP	REV
0	INITIAL RELEASE			
1	INITIAL RELEASE PER ECO 88-9288	9/5/88	KFP	



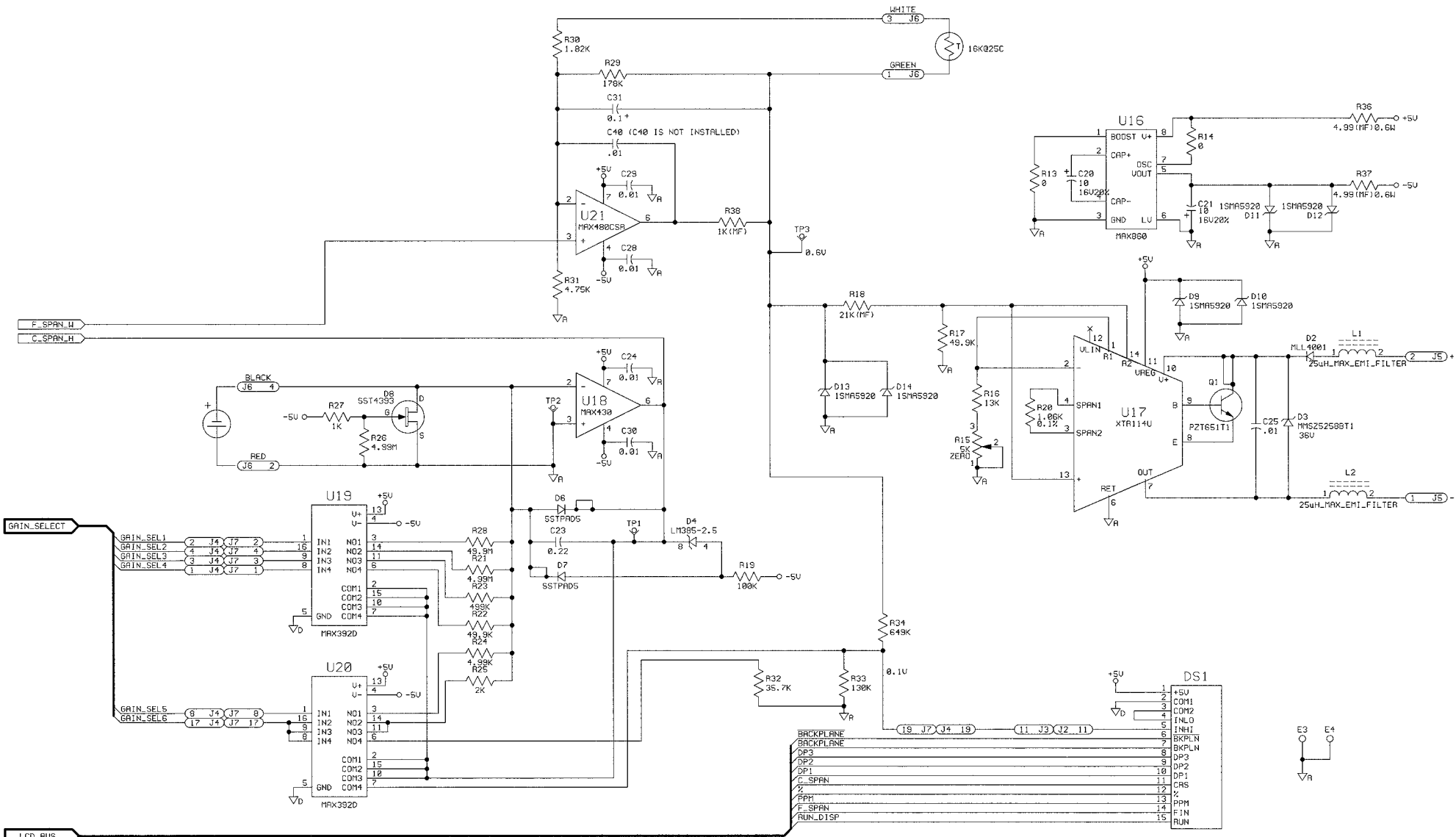
DO NOT SCALE DRAWING		THIS DRAWING IS THE PROPERTY OF TELEDYNE ANALYTICAL INSTRUMENTS AND CONTAINS CONFIDENTIAL INFORMATION IT IS NOT TO BE COPIED, REPRODUCED OR USED WITHOUT WRITTEN PERMISSION.	
TOLERANCES UNLESS OTHERWISE SPECIFIED: ANGULAR ± 1/2 DEG		TELEDYNE ANALYTICAL INSTRUMENTS A BUSINESS UNIT OF TELEDYNE ELECTRONIC TECHNOLOGIES	
LINEAR ± .005 ± .01		SIGNATURES	
LOOK		DATE	
REV	DATE	SCALE	
01	10/20/88	NONE	
02		XXXXXX-X	
03		SHEET 1 OF 3	
SHEETS		DRAW NO.	
D-7115S		D-71158	
REV		REV	
1		1	

SCHMATIC DIAGRAM
 2-WIRE TRANSMITTER
 BOARD SET

REV	DESCRIPTION	DATE	APP	REV
	SEE SHEET 1			



REV	DESCRIPTION	DATE	APP	REV
	SEE SHEET 1			



GAIN_SELECT

LCD_BUS

