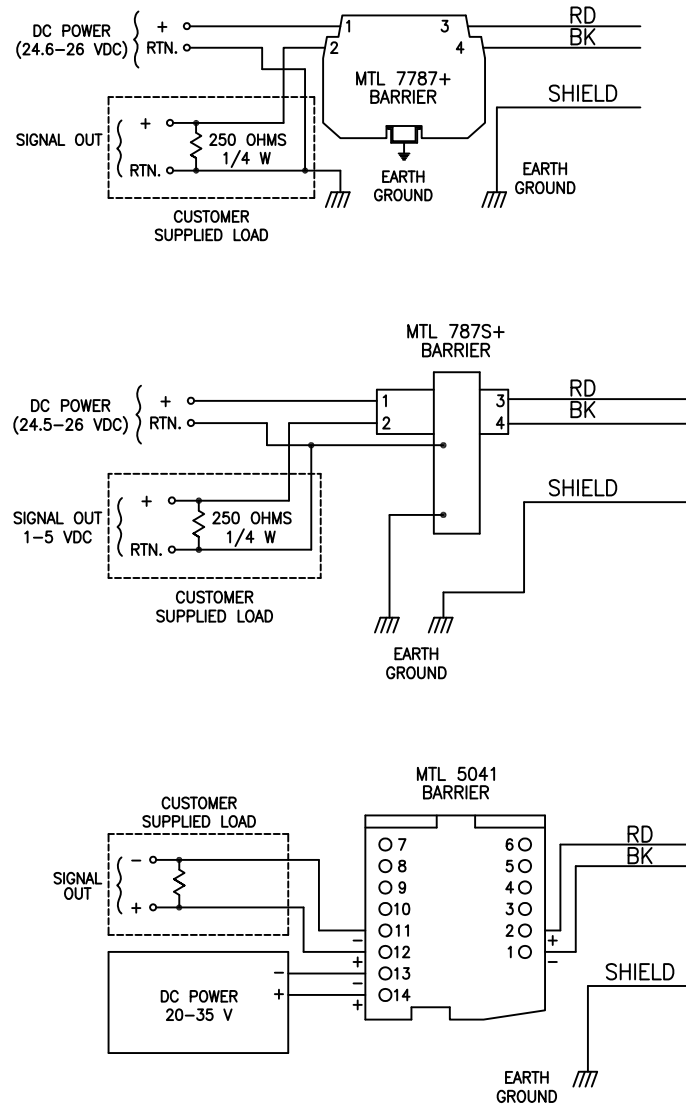


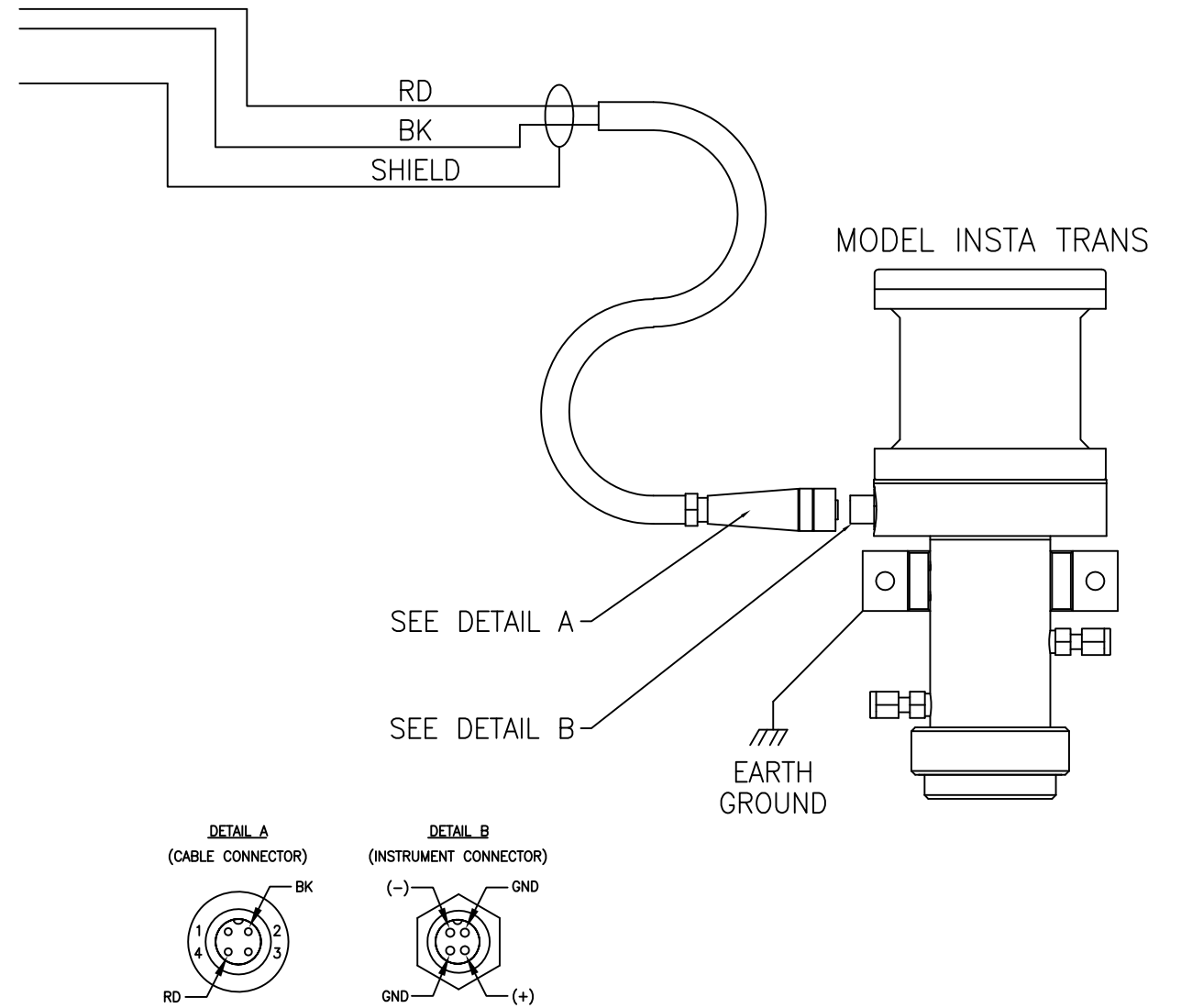
NOTES: UNLESS OTHERWISE SPECIFIED.

- At hazardous locations: Class I, Division 1, Groups ABCD.
- Installation must be in accordance to ANSI/ISA*RP12.05.01 "Installation of Intrinsically Safe System for Hazardous (Classified) Locations" and the National Electrical Code (ANSI/NFPA 70) and Canadian Electrical Code, CSA No. C22.1.
- MTL 7787, 787S, and 5041 barriers must be connected to a suitable ground electrode per NFPA 70, Article 504. The resistance of the ground path must be less than 1 ohm.
- Models MTL 7787, 787S, and 5041 barriers must not be connected to any device that uses or generates in excess of 250 Vrms or DC unless it has been determined that the voltage has been adequately isolated from the barrier.
- Recommended wire: 20 awg shielded.
Maximum recommended cable length (Group C&D): 5000 feet (1520 meters).
Maximum recommended cable length (Group A&B): 1500 feet (475 meters).
- WARNING - Substitution of components may impair Intrinsic Safety.
- WARNING - To prevent ignition of flammable or combustible atmospheres, read, understand and adhere to manufacturer's manual.
- WARNING - Potential Electrostatic Charging Hazard - Enclosure contains exposed plastic. To prevent the risk of electrostatic sparking only clean with damp cloth.
- WARNING - The apparatus enclosure contains aluminum and is considered to constitute a potential risk of ignition by impact or friction. Care must be taken into account during installation and use to prevent impact or friction.

SAFE AREA



HAZARDOUS AREA



REVISIONS				
REV	DESCRIPTION	DATE	APP.	REV. BY
0	INITIAL REL. PER ECO 01-0064	6/22/01	KFP	--
1	INC ECO 03-0140	6/5/03	AA	JCR
2	INC ECO 06-0039	4/25/06	AA	VF
3	INC ECO 09-0079	6/8/09	AA	JCR
4	INC ECO 11-0159	8/17/11	AA	VF



NO REVISIONS TO DRAWING WITHOUT PRIOR FM APPROVAL.

ITEM	QTY	PART NO.	DESCRIPTION
BILL OF MATERIAL			
DO NOT SCALE DWG			
TOLERANCE UNLESS OTHERWISE SPECIFIED: ANGULAR ±1/2°			
LINEAR .XX = ±.1 .XXX = ±.02 .XXXX = ±.010			
TELEDYNE INSTRUMENTS Analytical Instruments A Teledyne Technologies Company City of Industry, California, 91748, USA			
SIGNATURES	DATE	TITLE	SCALE
N/ DRFT: KFP	01/27/00	3001 Insta Trans Interconnection Diagram with Safety Barriers	none
V/ CHK:			SIM A-72107
Q/ APPR:			SHEET 1 OF 1
P/ ENGR: KFP			REV 4
F/ C72103	C.O. STANDARD	MATL AS LISTED	DWG NO. D-73226
REFERENCE	CAD ID D73226-4		