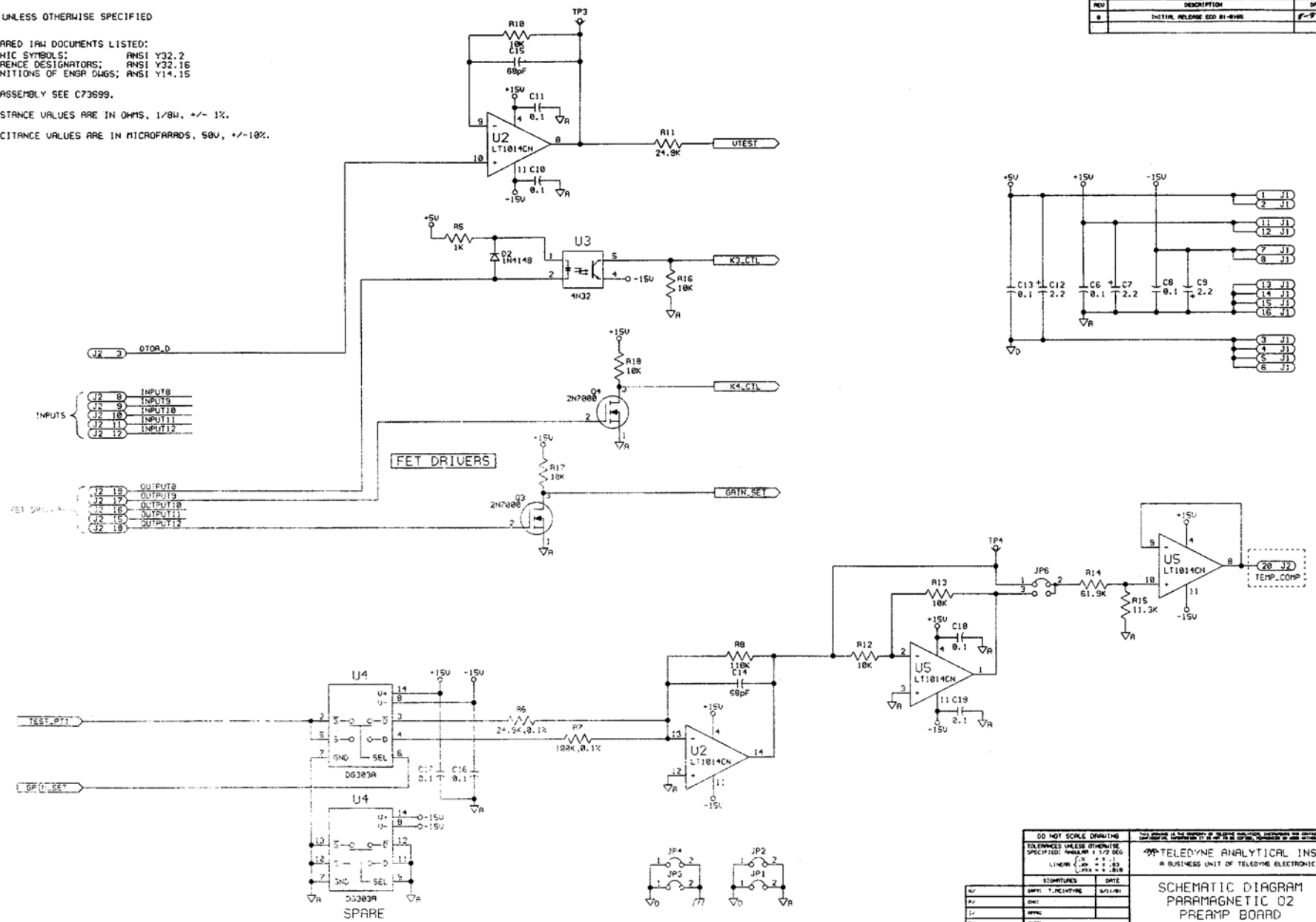


8 7 6 5 4 3 2 1

NOTES: UNLESS OTHERWISE SPECIFIED

1. PREPARED DRAW DOCUMENTS LISTED:
 GRAPHIC SYMBOLS: ANSI Y32.2
 REFERENCE DESIGNATORS: ANSI Y32.16
 DEFINITIONS OF ENGR DWGS: ANSI Y14.15
2. FOR ASSEMBLY SEE C73699.
3. RESISTANCE VALUES ARE IN OHMS, 1/8W, +/- 1%.
4. CAPACITANCE VALUES ARE IN MICROFARADS, 50V, +/- 10%.

REV	DESCRIPTION	DATE	BY	CHK
0	INITIAL RELEASE ESD BY 4985	8-9-81		THC



DO NOT SCALE DRAWING		TELETYPE ANALYTICAL INSTRUMENTS	
TOLERANCES UNLESS OTHERWISE SPECIFIED: RESISTORS 1/2% 50V		A BUSINESS UNIT OF TELETYPE ELECTRONIC TECHNOLOGIES	
SIGNATURES		DATE	SCALE
BY	DATE	8/11/81	NONE
CHK			N/A
APP			
DES			
DR			
REFERENCE	Q73699.1A2.SCH	DWG NO.	D-73698
		SHEET	1 OF 2

8 7 6 5 4 3 2 1