

NOTES: UNLESS OTHERWISE SPECIFIED.

1. The capacitance and either the inductance or inductance to resistance ratio of the cable interconnecting the Insta Trans and the Barrier must not exceed the values in the following table:

GROUP	CAPACITANCE in uF	INDUCTANCE OR in mH	L/R RATIO In uh/ohm
IIC	0.072	3	54
IIB	0.238	9.1	162
IIA	0.653	24	432

2. The hazardous area circuit must be capable of withstanding an ac voltage test of 500V r.m.s. to earth/ground for one minute.

3. The minimum safety barrier series resistance is greater than 300 ohms.

4. The installation, including the barrier earthing/grounding arrangement, must comply with the national requirements of the country of use (e.g. in the UK BS 5345: Part4: 1977 or BS EN 60079-14).

5. The Safe Area terminals of the MTL 7787, 787S, and 5041 barriers must not be connected to any device that is supplied from or contains in normal or abnormal conditions, a source of potential with respect to earth/ground excess of 250 Vrms or d.c.

6. Recommended wire: 20 awg shielded.

7. The system is to be marked in a "strategic" position with at least the following:
BAS number Ex 01E2324 SYST

8. The cable screen/shield must not be connected to earth/ground in the hazardous area.

9. The cable screen/shield must not be connected to the Insta Trans.

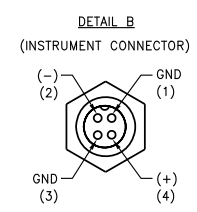
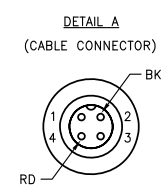
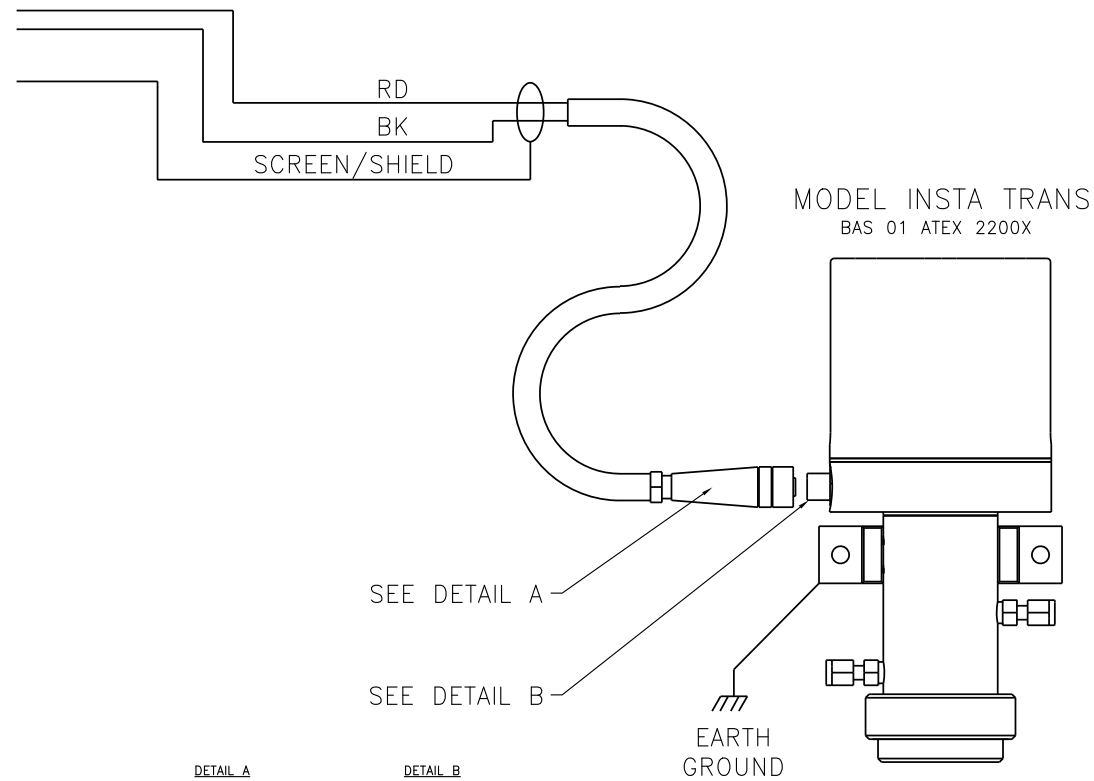
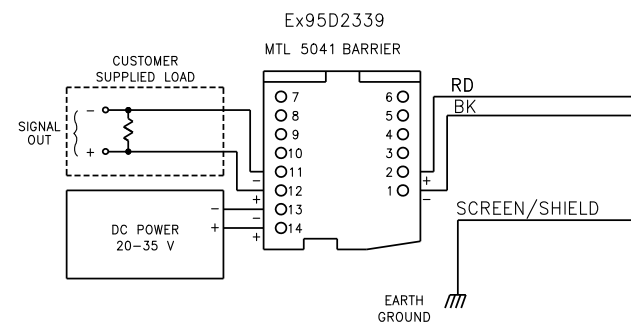
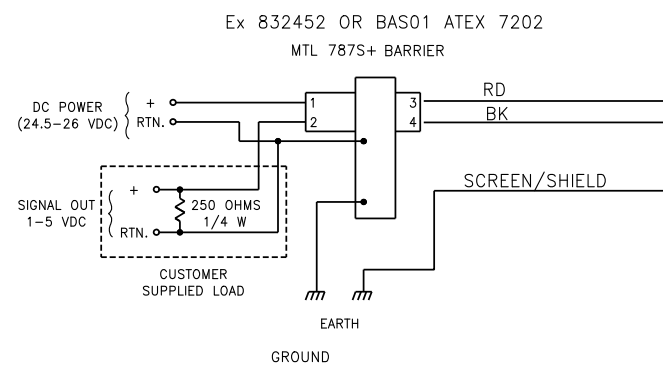
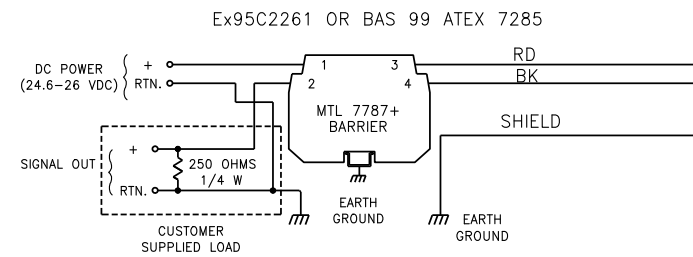
10. The apparatus is capable of withstanding a 500V R.M.S. AC voltage test between it's circuit and it's enclosure for one minute.

REVISIONS				
REV	DESCRIPTION	DATE	APP.	REV. BY
0	RELEASE ECO 01-0243	12/20/01	KFP	--
1	INC. ECO 05-0099	06/17/05	AA	MN
2	INC. ECO 10-0131	8/2/10	AA	VF

**ATEX Certified Product
No modification permitted
without the approval of the
Authorized Person**

NON HAZARODOUS (SAFE AREA)

HAZARDOUS AREA



ITEM	QTY	PART NO.	DESCRIPTION
BILL OF MATERIAL			
DO NOT SCALE DRAWING			
THIS DRAWING IS THE PROPERTY OF TELEDYNE INSTRUMENTS AND CONTAINS CONFIDENTIAL INFORMATION. IT IS NOT TO BE COPIED, REPRODUCED OR USED WITHOUT WRITTEN PERMISSION.			
TELEDYNE INSTRUMENTS Analytical Instruments A Teledyne Technologies Company CITY OF INDUSTRY, CALIFORNIA 91748			
SIGNATURES		DATE	TITLE
DRFT: KFP		08/14/01	ATEX 3001 Insta Trans Interconnection Diagram with Safety Barriers
CHK:			SCALE none
APPR:			SIM D73226
ENGR: KFP			SHEET 1 OF 1
F/ C73994	C.O. STANDARD	MATL. AS LISTED	DWG NO. D-73736
REFERENCE	CAD ID D73736-2		REV 2