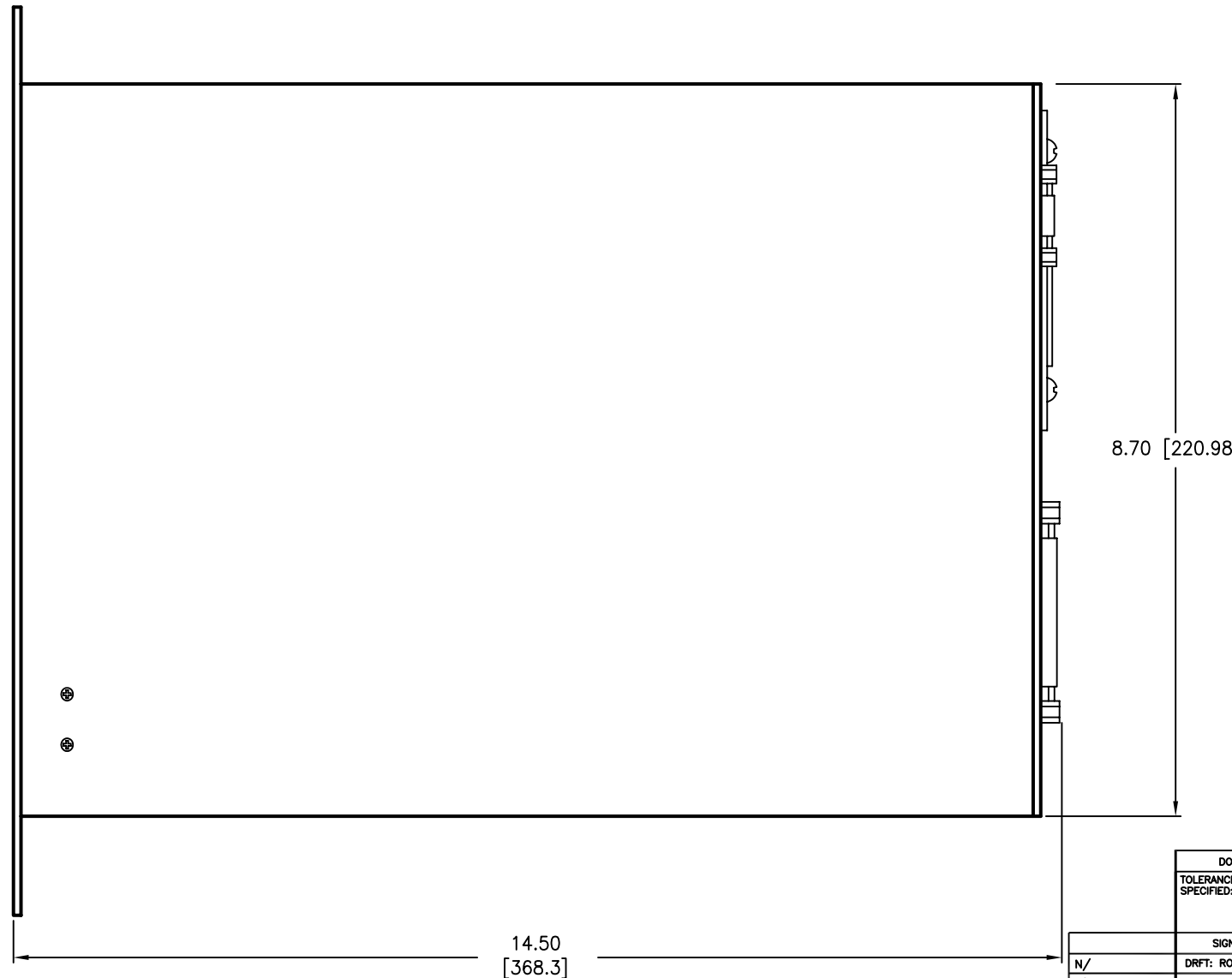
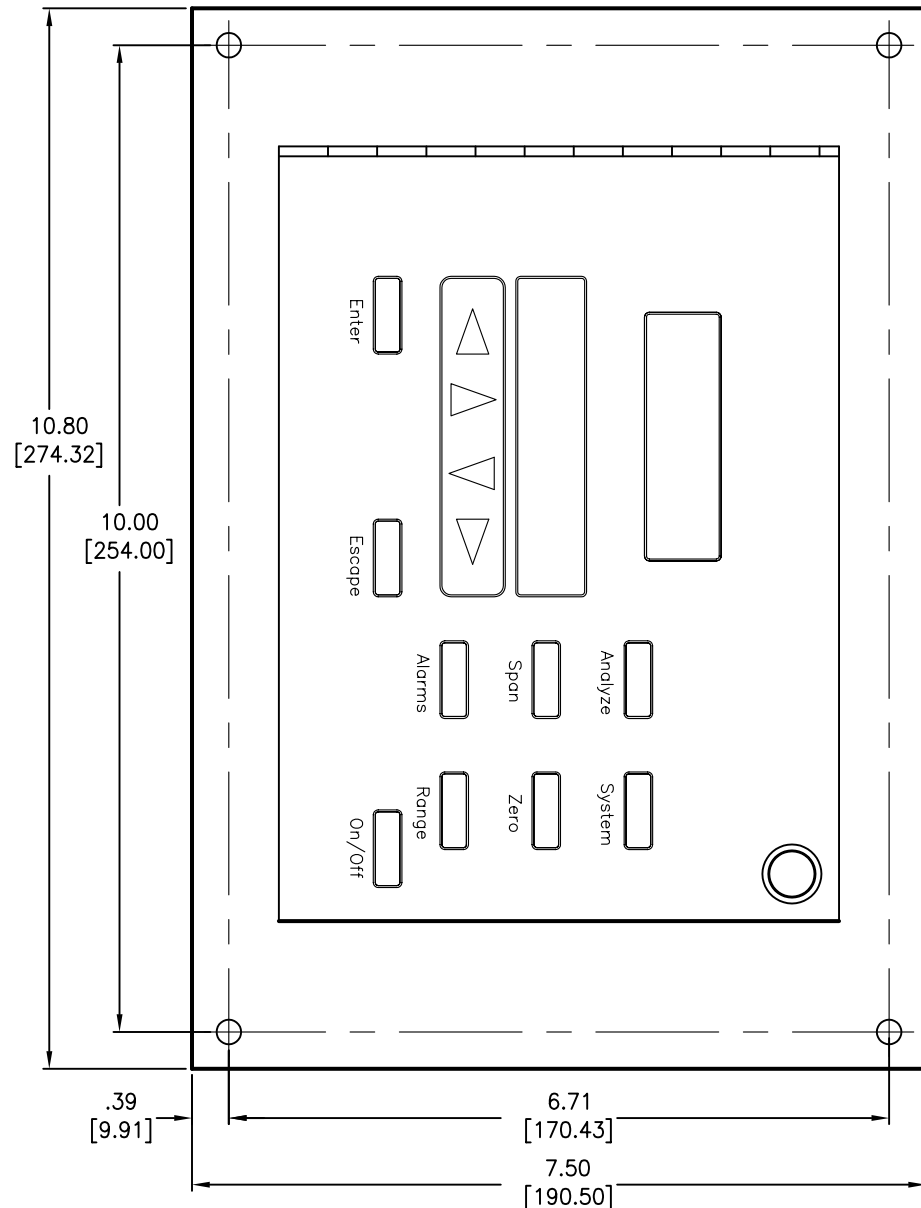
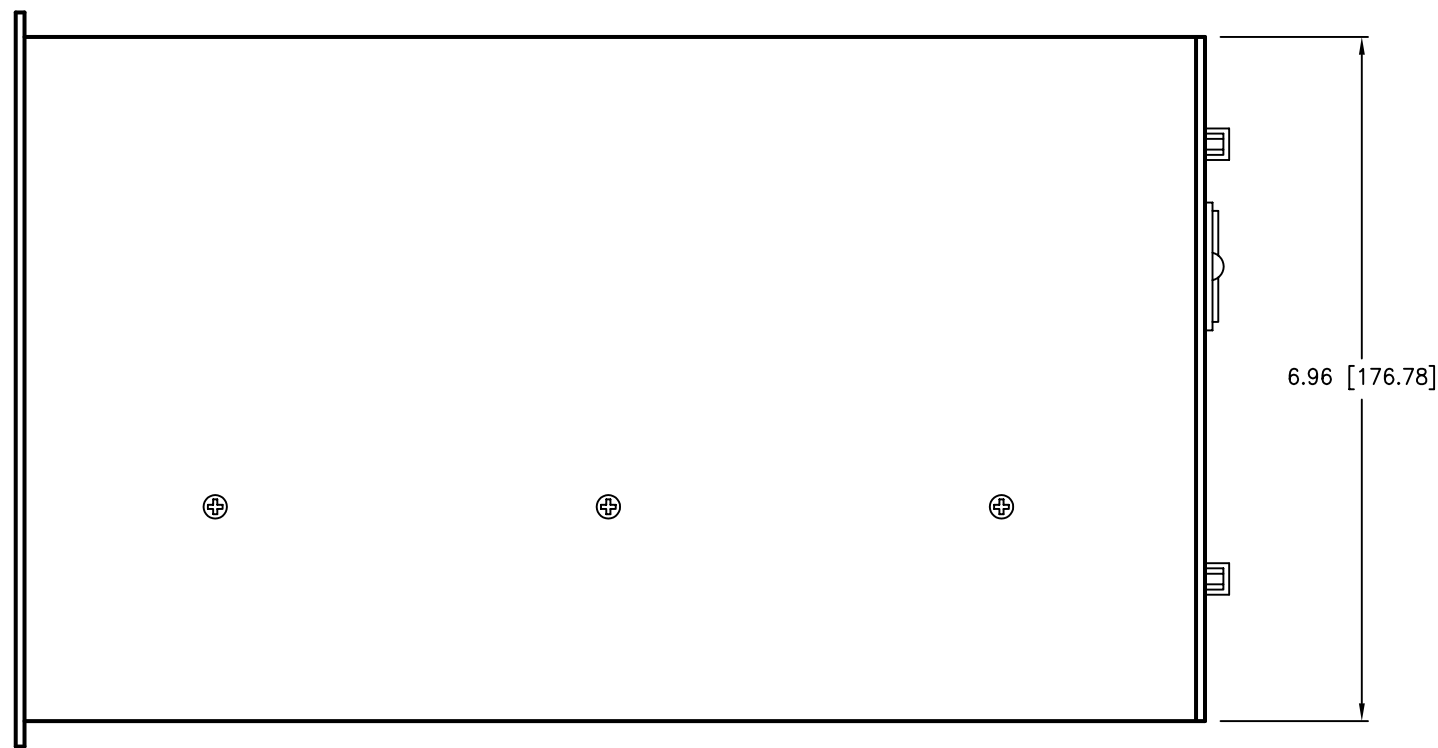
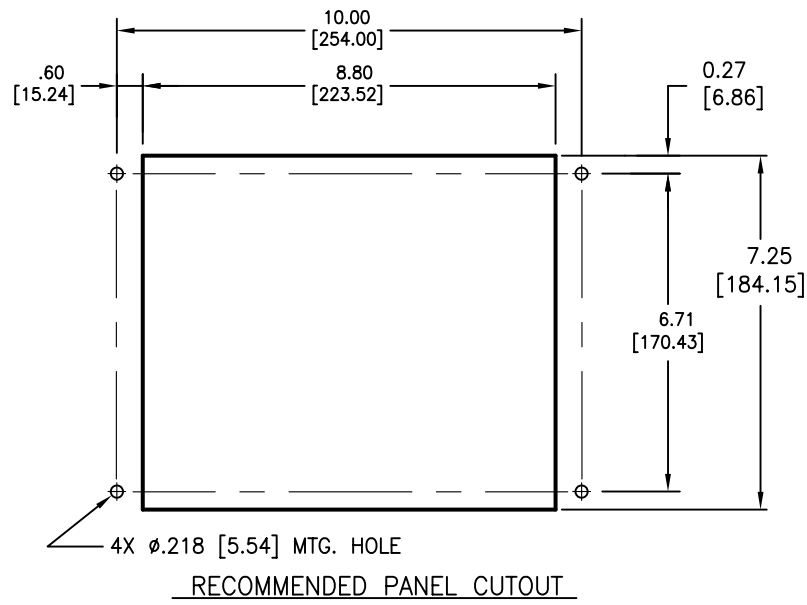


NOTES: UNLESS OTHERWISE SPECIFIED.

1. ALL DIMENSIONS ARE IN INCHES (± 0.06) AND MILLIMETERS ($\pm 1.$), INCHES [mm]



REVISIONS				
REV	DESCRIPTION	DATE	APP.	REV. BY
0	INITIAL RELEASE	1-10-02	RF	--
1	REVISED SCALE	03/06/03	RF	JCR
2	INC ECO 04-0093	3/23/05	JR	VF

DO NOT SCALE DWG		THIS DRAWING IS THE PROPERTY OF TELEDYNE ANALYTICAL INSTRUMENTS AND CONTAINS CONFIDENTIAL INFORMATION. IT IS NOT TO BE COPIED, REPRODUCED OR USED WITHOUT WRITTEN PERMISSION.		
TOLERANCE UNLESS OTHERWISE SPECIFIED: ANGULAR $\pm 1/2^\circ$		TELEDYNE INSTRUMENTS Analytical Instruments A Teledyne Technologies Company City of Industry, California 91746, USA		
LINEAR $\begin{matrix} .XX & = & \pm 0.1 \\ .XXX & = & \pm 0.02 \\ .XXXX & = & \pm 0.010 \end{matrix}$		SIGNATURES		SCALE NTS
N/	DRFT: ROBIN FONG	DATE	01/10/02	TITLE
V/	CHK:			MODEL 3000PA
O/	APPR:			PERCENT OXYGEN ANALYZER
P/	ENGR: ROBIN FONG			OUTLINE DIAGRAM
F/	C.O.: STANDARD	MATL.	NONE	DWG NO. D-74370
REFERENCE	CAD ID: D74370-2			SHEET 1 OF 1
				REV 2