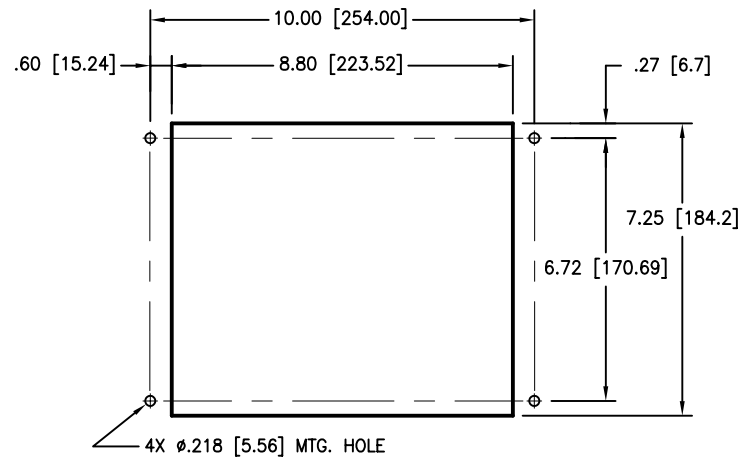
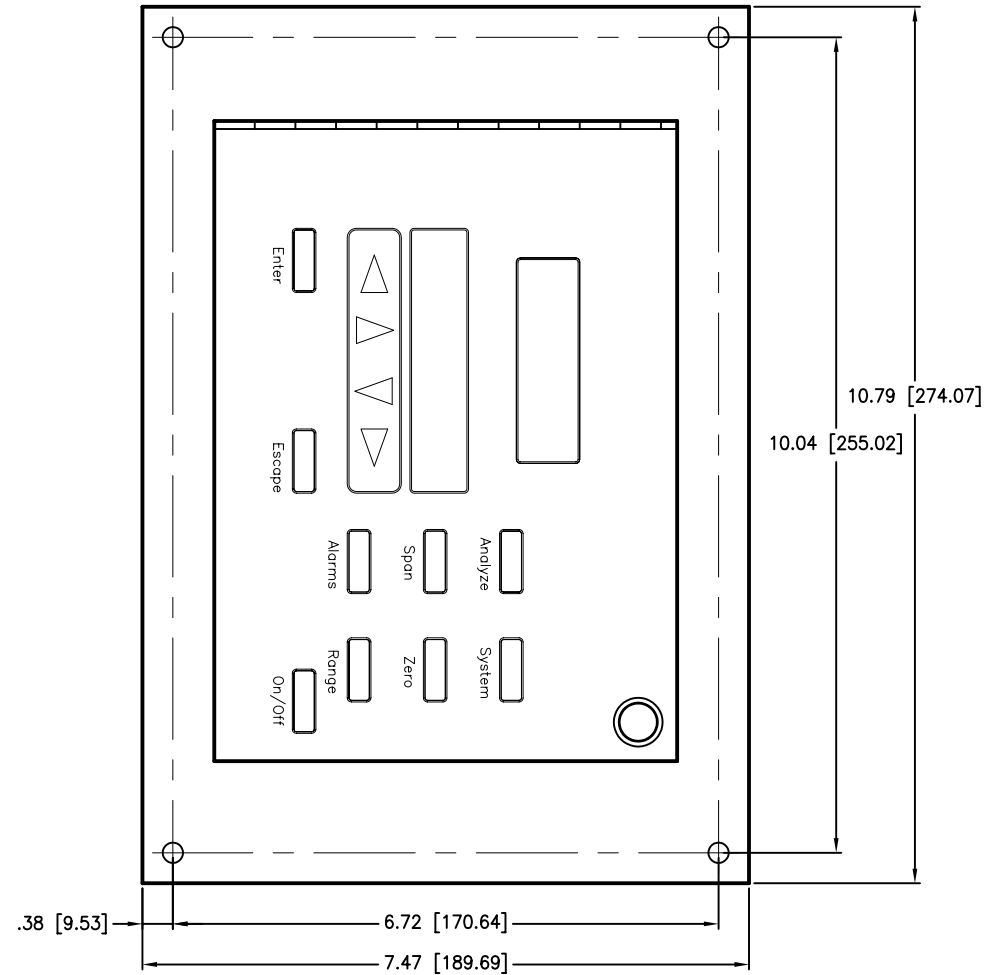
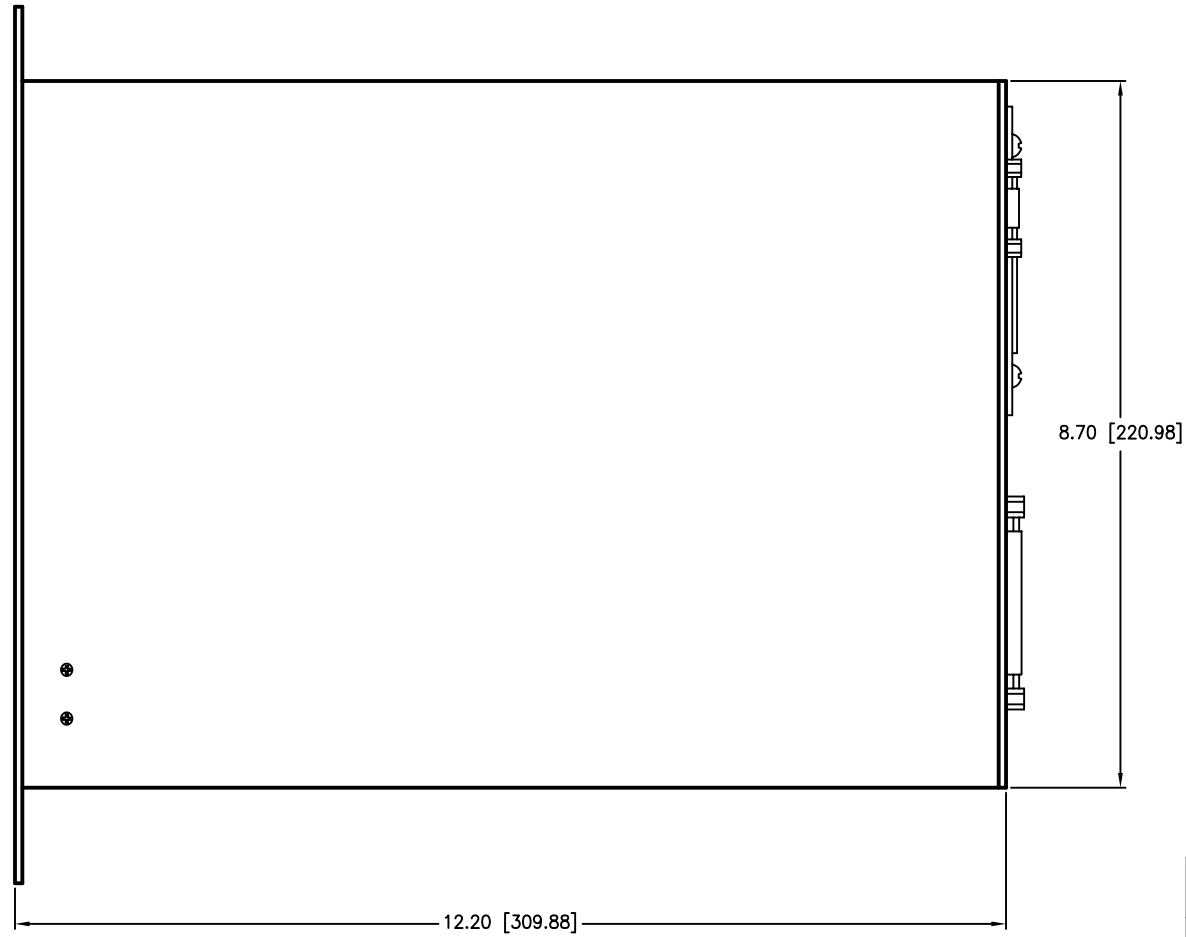
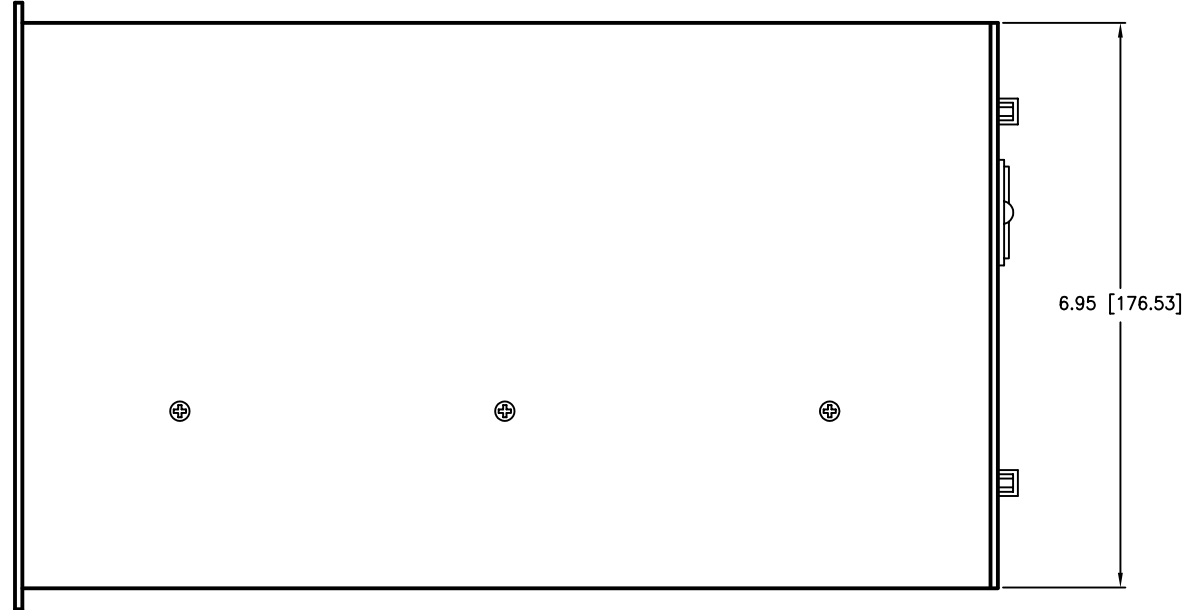


NOTES: UNLESS OTHERWISE SPECIFIED.

REVISIONS				
REV	DESCRIPTION	DATE	APP.	REV. BY
0	INITIAL RELEASE	1-10-03	RF	---
1	REVD CUTOUT DIM WAS 7.1 IS 7.25	03/26/04	JCR	JCR



RECOMMENDED PANEL CUTOUT



ITEM	QTY	PART NO.	DESCRIPTION
BILL OF MATERIAL			
DO NOT SCALE DWG			
TOLERANCE UNLESS OTHERWISE SPECIFIED: ANGULAR ±1/2°			
LINEAR .XX = ±.1 .XXX = ±.02 .XXXX = ±.010			
THIS DRAWING IS THE PROPERTY OF TELEDYNE INSTRUMENTS AND CONTAINS CONFIDENTIAL INFORMATION. IT IS NOT TO BE COPIED, REPRODUCED OR USED WITHOUT WRITTEN PERMISSION.			
TELEDYNE INSTRUMENTS Analytical Instruments A Teledyne Technologies Company CITY OF INDUSTRY, CALIFORNIA 91748			
SIGNATURES	DATE	TITLE	SCALE
N/ DRFT: ROBIN FONG	1-10-02	MODEL 3000TA-EU SERIES TRACE OXYGEN ANALYZER OUTLINE DIAGRAM	N.T.S.
I/ CHK:			SIM D-66316
O/ APPR:			SHEET 1 OF 1
P/ ENGR: ROBIN FONG			REV 1
F/ C.O. STANDARD		MATL. AS LISTED	DWG NO. D-74371
REFERENCE	CAD ID D74371-1		