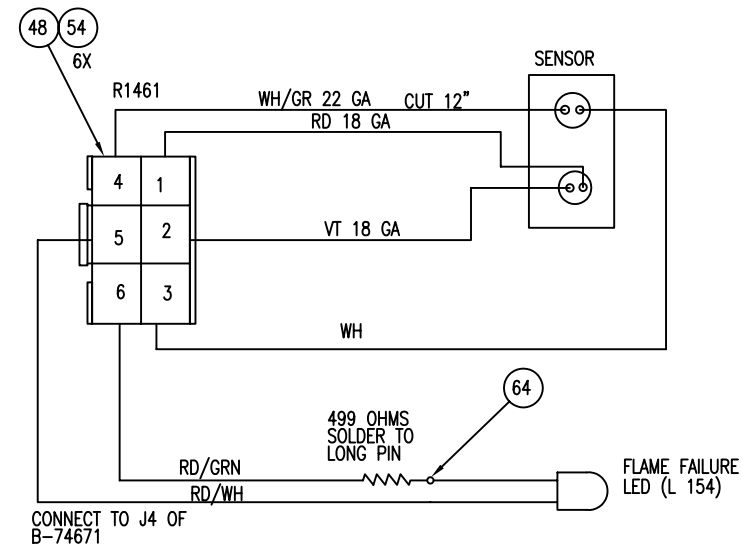
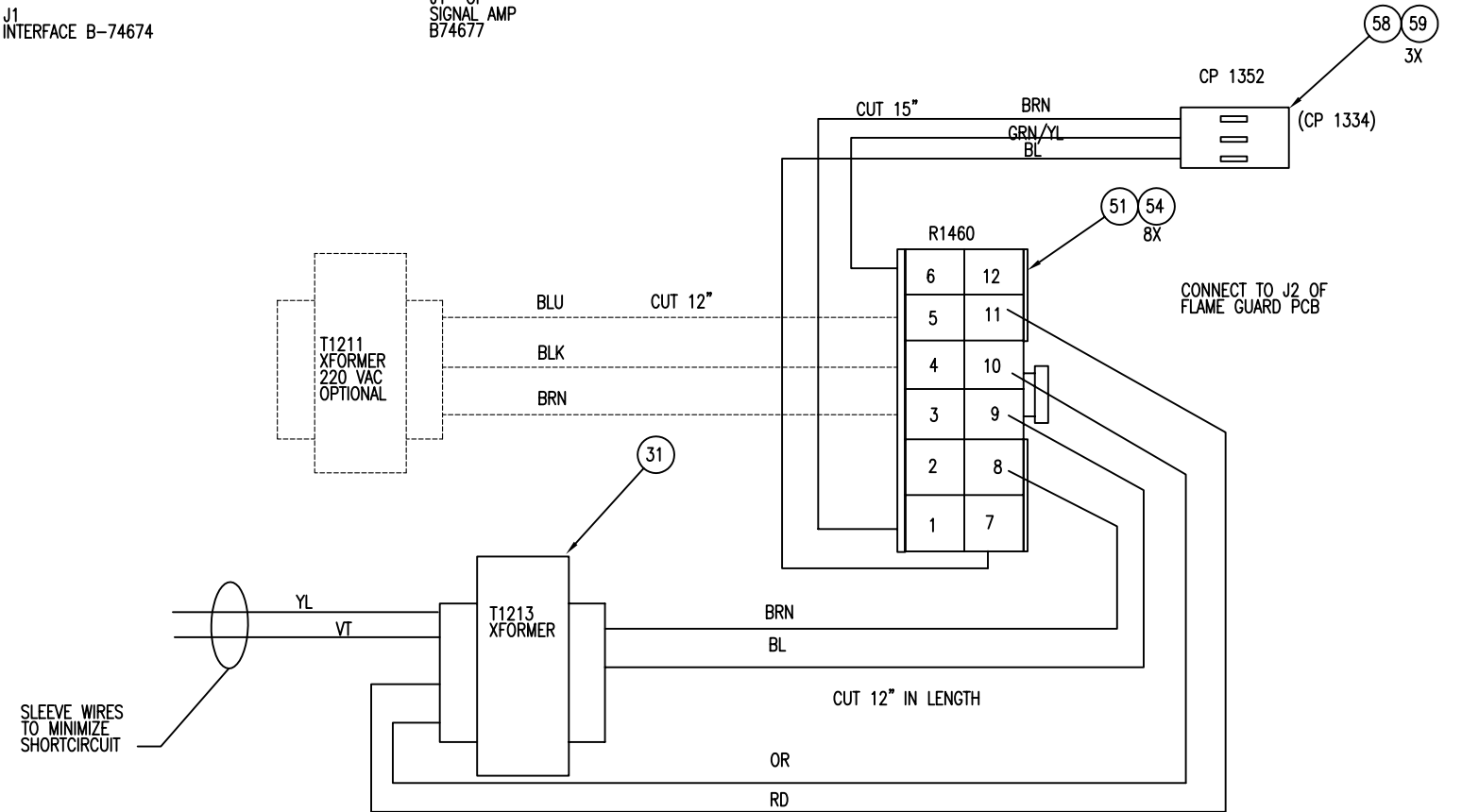
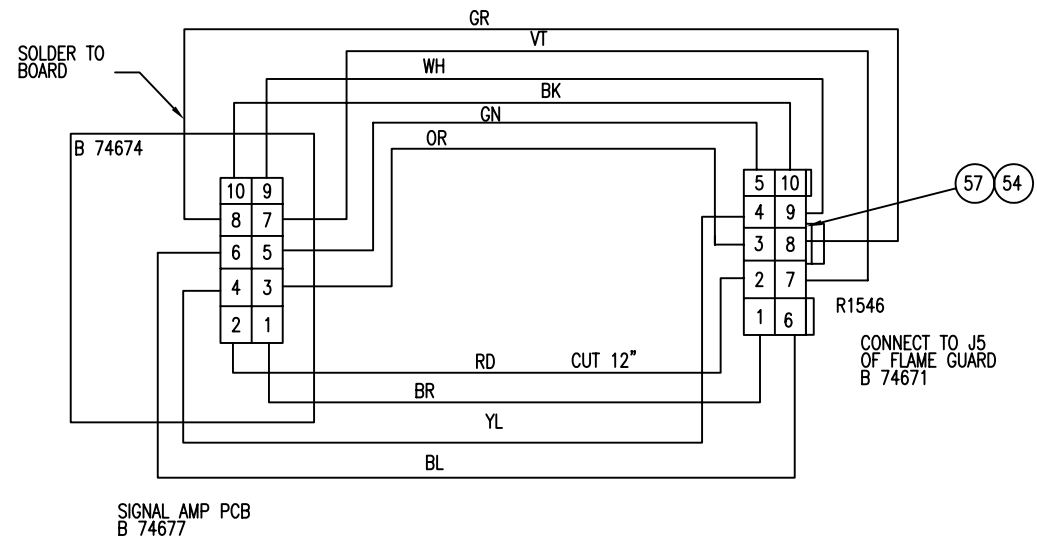
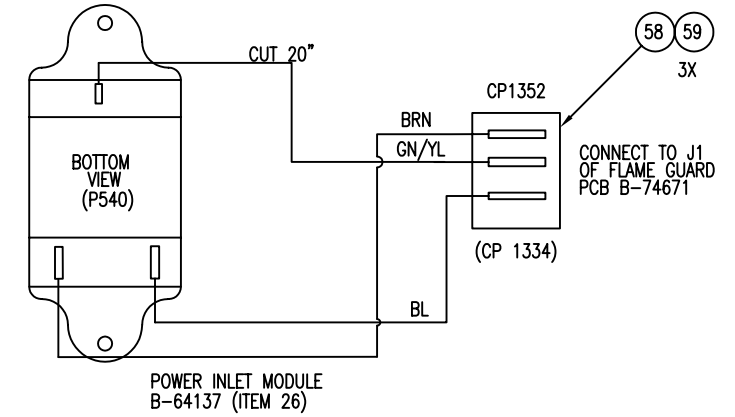
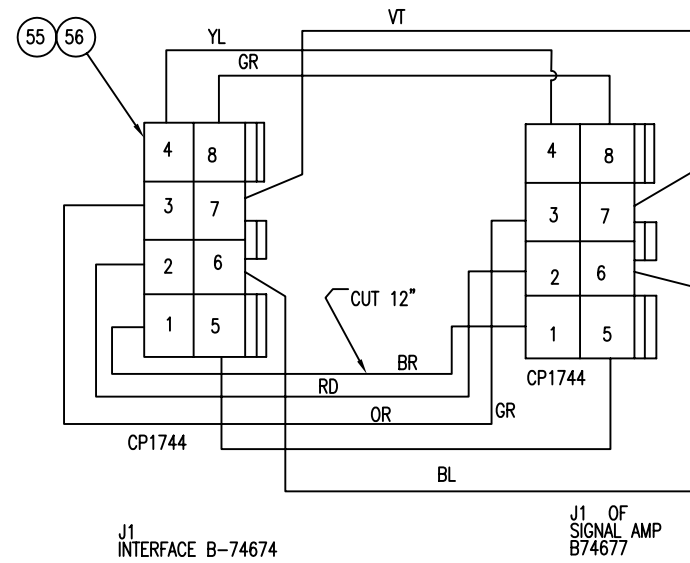
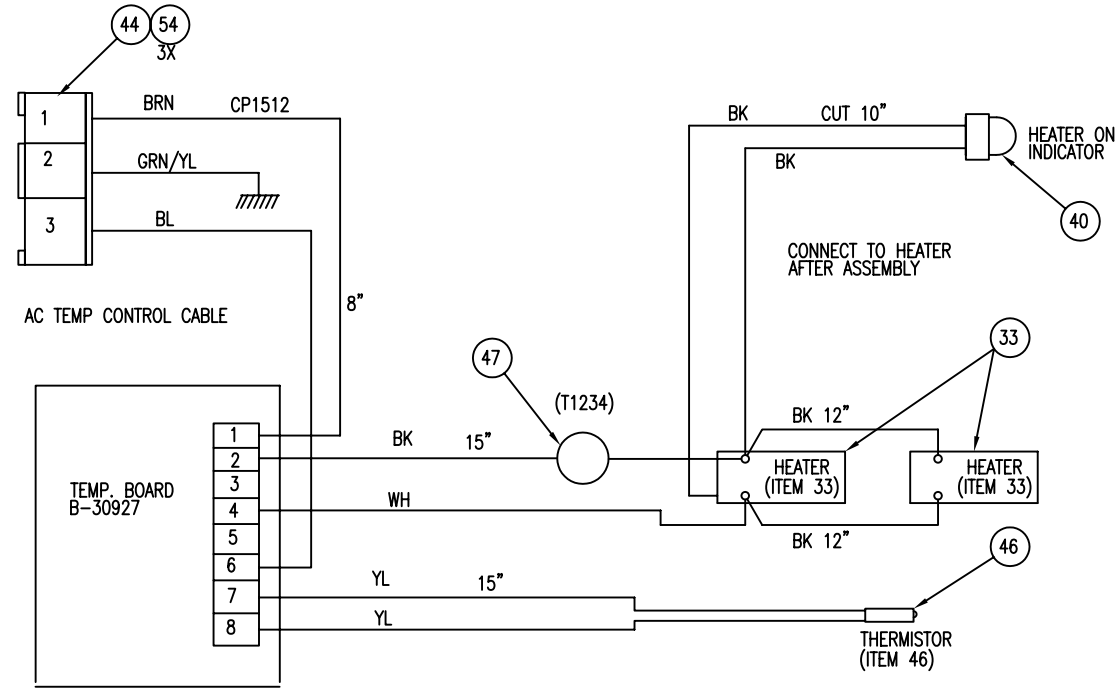


NOTES: UNLESS OTHERWISE SPECIFIED.

1. FOR ITEMS CALLED OUT SEE FINAL ASSEMBLY DWG. D74661 FOR REF.

REVISIONS				
REV	DESCRIPTION	DATE	APP.	REV. BY
0	Initial Release	08/22/05	AA	RN
1	ADDED 2ND HEATER	08/31/05	AA	JCR



ITEM	QTY	PART NO.	DESCRIPTION
BILL OF MATERIAL			
DO NOT SCALE DWG			
THIS DRAWING IS THE PROPERTY OF TELEDYNE INSTRUMENTS AND CONTAINS CONFIDENTIAL INFORMATION. IT IS NOT TO BE COPIED, REPRODUCED OR USED WITHOUT WRITTEN PERMISSION.			
TOLERANCE UNLESS OTHERWISE SPECIFIED: ANGULAR ±1/2°			
LINEAR .XX = ±.1			
.XXX = ±.02			
.XXXX = ±.010			
TELEDYNE INSTRUMENTS Analytical Instruments A Teledyne Technologies Company CITY OF INDUSTRY, CALIFORNIA 91748			
SIGNATURES	DATE	TITLE	SCALE NONE
N/ DRFT: R.Nepomucen	11-12-04	MODEL 4020 WIRING DIAGRAM	SIM
I/ CHK:			SHEET 1 OF 2
Q/ D75508	APPR:		
P/ B75509	ENGR:		
F/ D77661	C.O. STD	MATL.	
REFERENCE	CAD ID D77483-1	SEE FINAL D74661	DWG NO. D-77483
			REV 1

