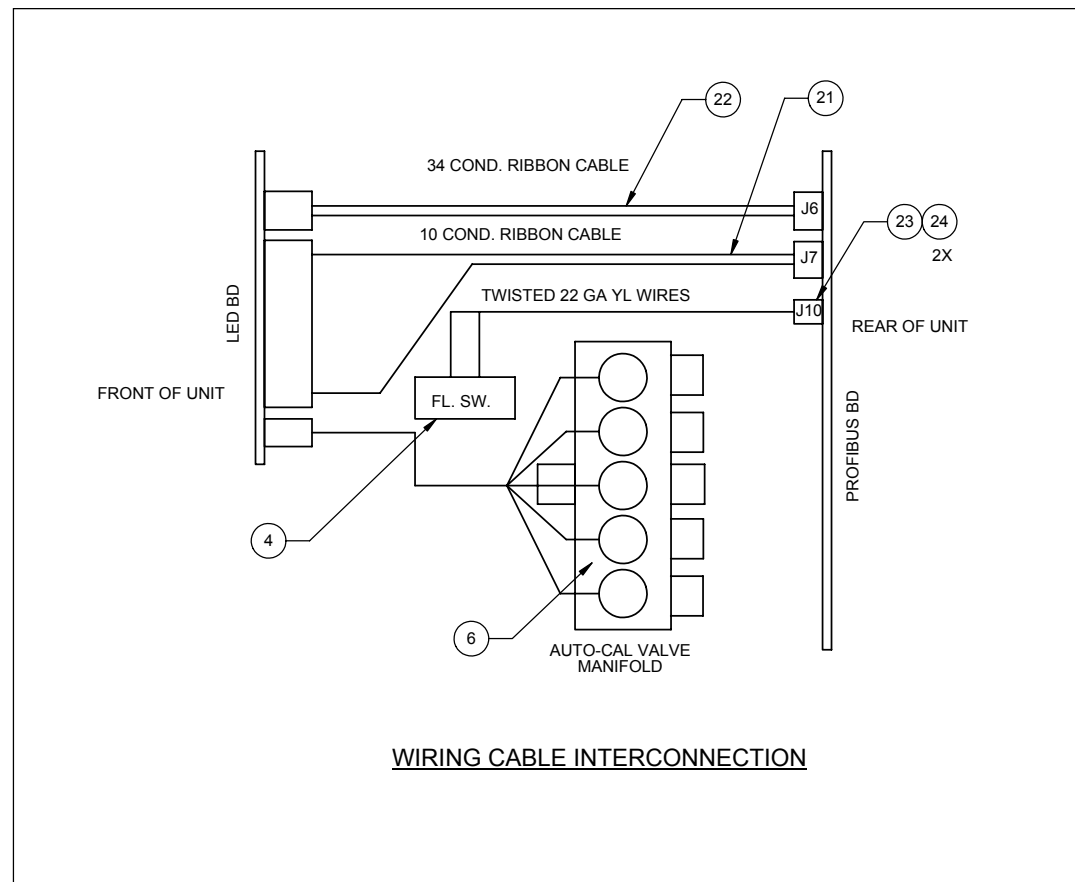
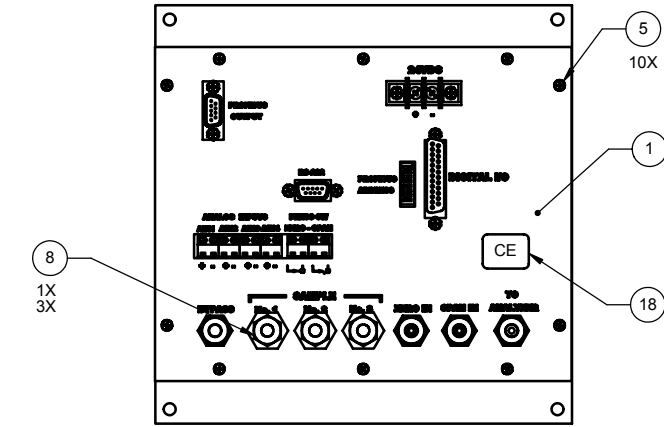
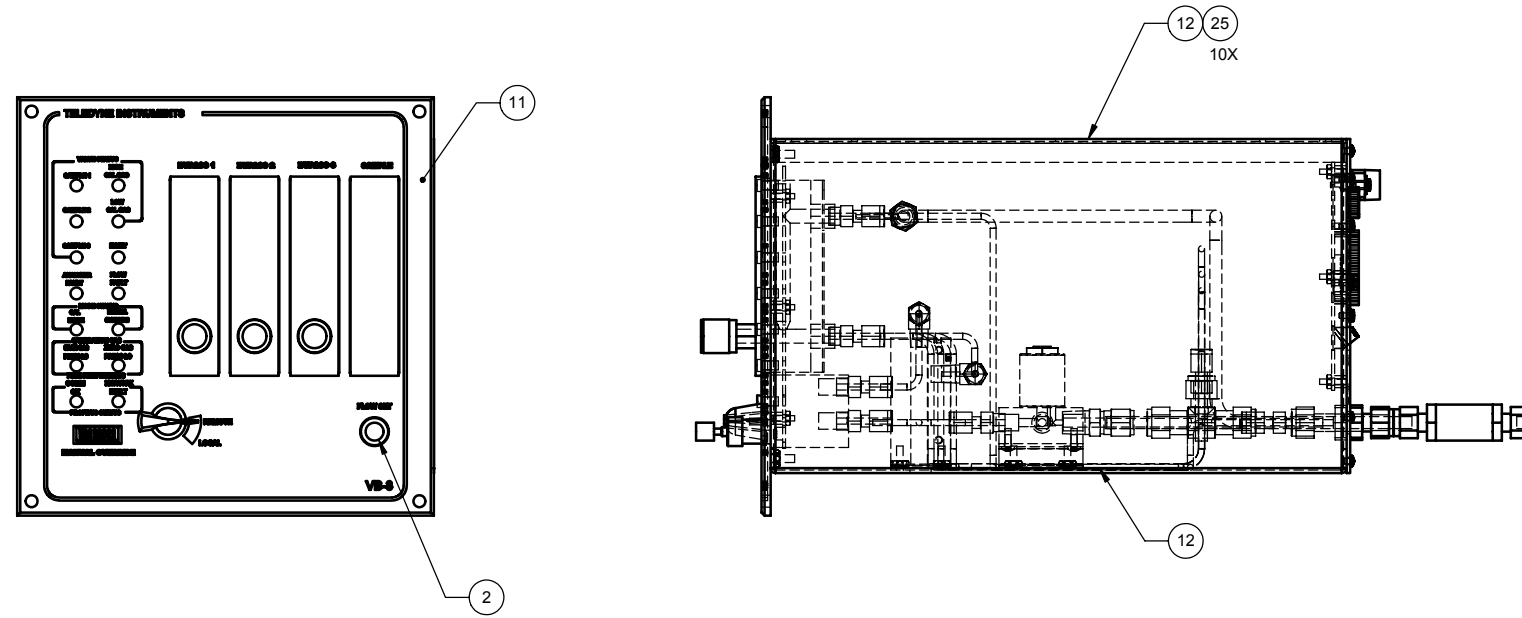


NOTES: UNLESS OTHERWISE SPECIFIED.

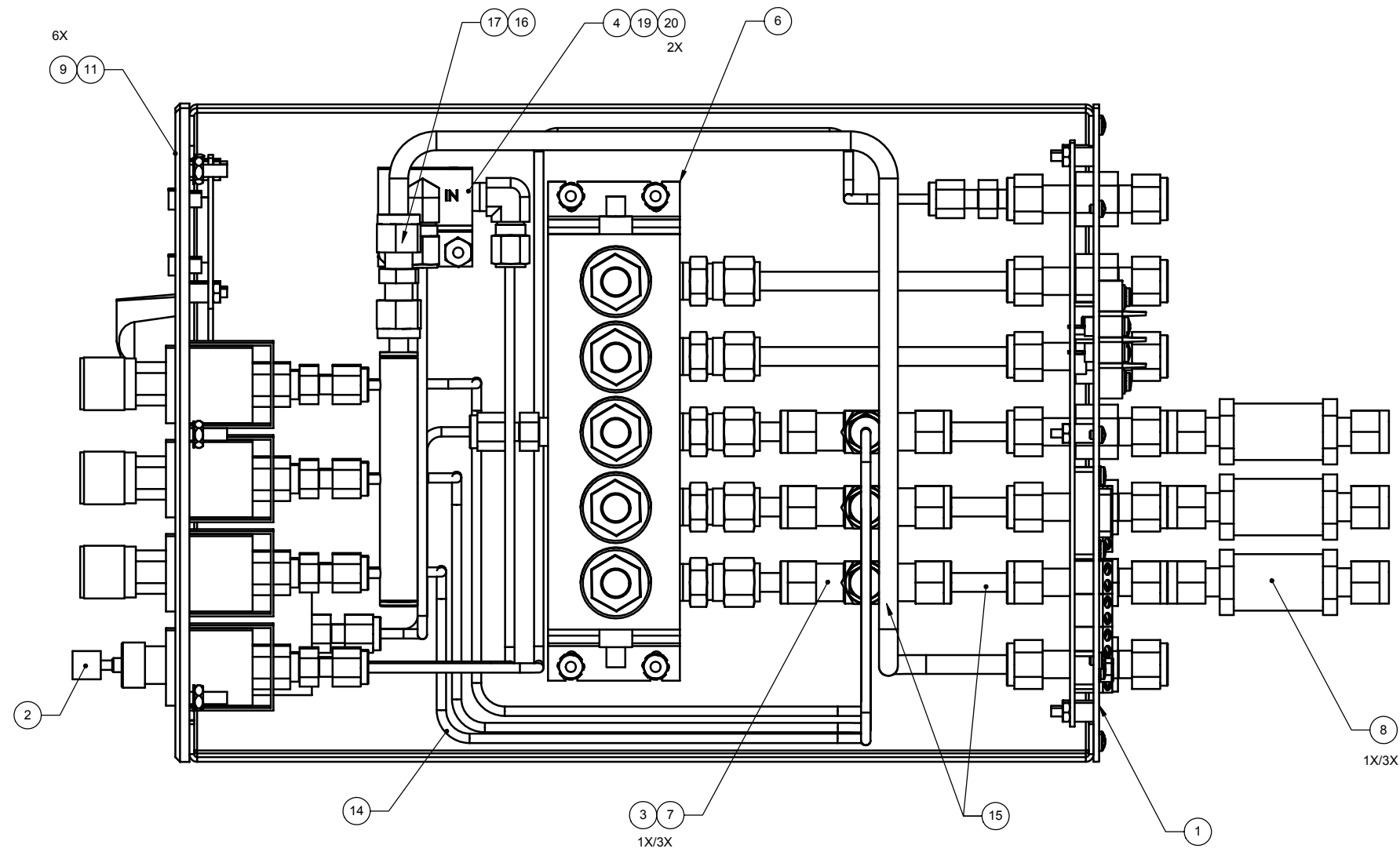
- 1 PACKAGE AND SHIP WITH UNIT.
- 2 OPTION A - MODEL VB-1 (SINGLE STREAM)
OPTION B - MODEL VB-3 (THREE STREAM)

REVISIONS					
REV.	DESCRIPTION	DATE	APP.	REV. BY	
0	INITIAL RELEASE	02/07/07	AA		
1	ADDED OPTION A AND B	02/13/07	JCR	JCR	
2	DELETED: B78620 FROM OPTION A	4/4/07	LL	LL	



ITEM	QTY.A	QTY.B	PART No.	DESCRIPTION
26	1	1	A79727	KIT, BACK PANEL CONNECTIONS
25	10	10	---	SCREW, No. 4-40 x .25 LG. FLT. HD.
24	2	2	T 976	TERMINAL PIN, MOLEX
23	1	1	R 1462	PLUG, CONNECTOR 2 PTS.
22	1	1	B79707	34 CONDUCTOR RIBBON CABLE
21	1	1	B79706	10 CONDUCTOR RIBBON CABLE
20	2	2	E 11	ELBOW, 1/8 T x 1/8 NPT SS
19	1	1	A78348	FLOW SWITCH MOUNTING BRACKET DETAIL
18	1	1	A65849	LABEL, CE
17	1	1	U 11	UNION, 1/4 T SS
16	0	1	B78620	BYPASS OUTLET TUBE ASSEMBLY
15	A/R	A/R	---	TUBING, 1/4 OD STSTL
14	A/R	A/R	---	TUBING, 1/8 OD STSTL
13	1	1	C78344	TOP COVER DETAIL
12	1	1	D78323	CASE WELDMENT ASSY
11	0	1	C78319-B	FRONT PANEL ASSY (VB-3)
11	1	0	C78319-A	FRONT PANEL ASSY (VB-1)
10	2	2	---	NUT, #6 KEP
9	10	10	---	NUT, #8 KEP
8	1	3	F 1891	FILTER, IN-LINE 10 MICRON 1/4 T SS
7	1	3	T 187	TEE, 1/4 T STSTL
6	0	1	B78345-B	AUTO-CAL VALVE ASSEMBLY (VB-3)
6	1	0	B78345-A	AUTO-CAL VALVE ASSEMBLY (VB-1)
5	10	10	---	SCREW, No. 4-40 x .25 LG BND. HD.
4	1	1	S 1169	FLOW SWITCH
3	1	4	R 437	REDUCER, 1/8 T x 1/4 Tx STSTL
2	1	1	CP 2217	FLOW CONTROLLER
1	0	1	C78321-B	REAR PANEL SUBASSEMBLY (VB-3)
1	1	0	C78321-A	REAR PANEL SUBASSEMBLY (VB-1)

BILL OF MATERIALS			
DO NOT SCALE DWG		THIS DRAWING IS THE PROPERTY OF TELEDYNE ANALYTICAL INSTRUMENTS AND CONTAINS CONFIDENTIAL INFORMATION. IT IS NOT TO BE COPIED, REPRODUCED OR USED WITHOUT WRITTEN PERMISSION.	
TOLERANCE UNLESS OTHERWISE SPECIFIED: ANGULAR ±1/2°		Teledyne Analytical Instruments A business unit of Teledyne Electronic Technologies CITY OF INDUSTRY, CALIFORNIA 91748	
LINEAR	{ X = ±0.1 XX = ±0.02 XXX = ±0.010	SIGNATURES	DATE
SJ	DRFT: JOHN REYES		10/18/05
I/	CHK:		
O/	APPR:		
P/	ENGR: STEVE BROY		
F/	S.O. Standard		
REFERENCE	CAD ID D78318-2	MATL AS LISTED	DWG NO. D-78318
TITLE: FINAL ASSEMBLY VALVE CONTROL BOX MODEL VB-1/VB-3			SCALE: 1:1
			SIM: NONE
			SHEET: 1 OF 3
			REV: 2



TOP VIEW
SCALE: FULL

8

7

6

5

4

3

2

1

REVISIONS
SEE SHEET 1

D

D

C

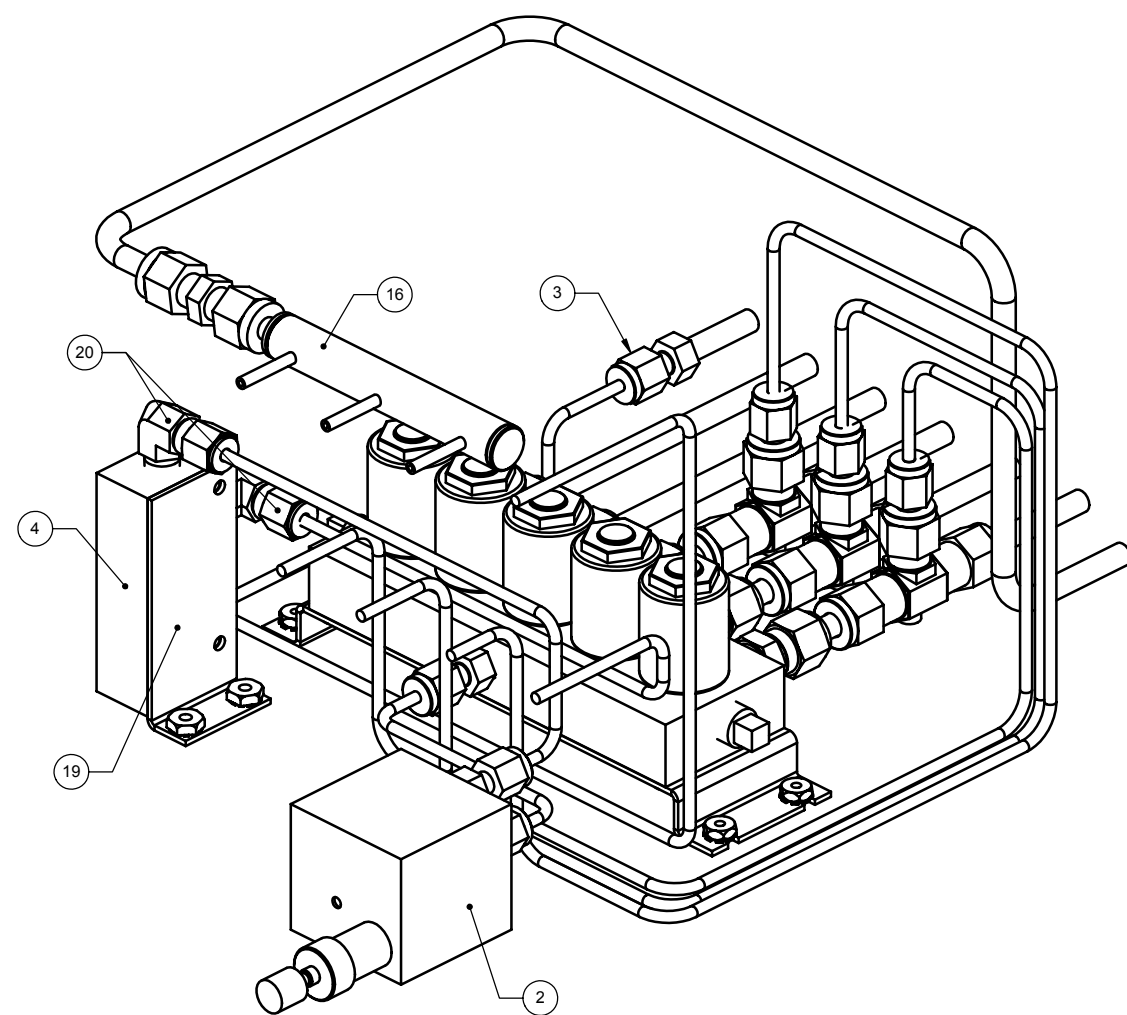
C

B

B

A

A



VIEW OF INTERNAL PIPING

8

7

6

5

4

3

2

1