

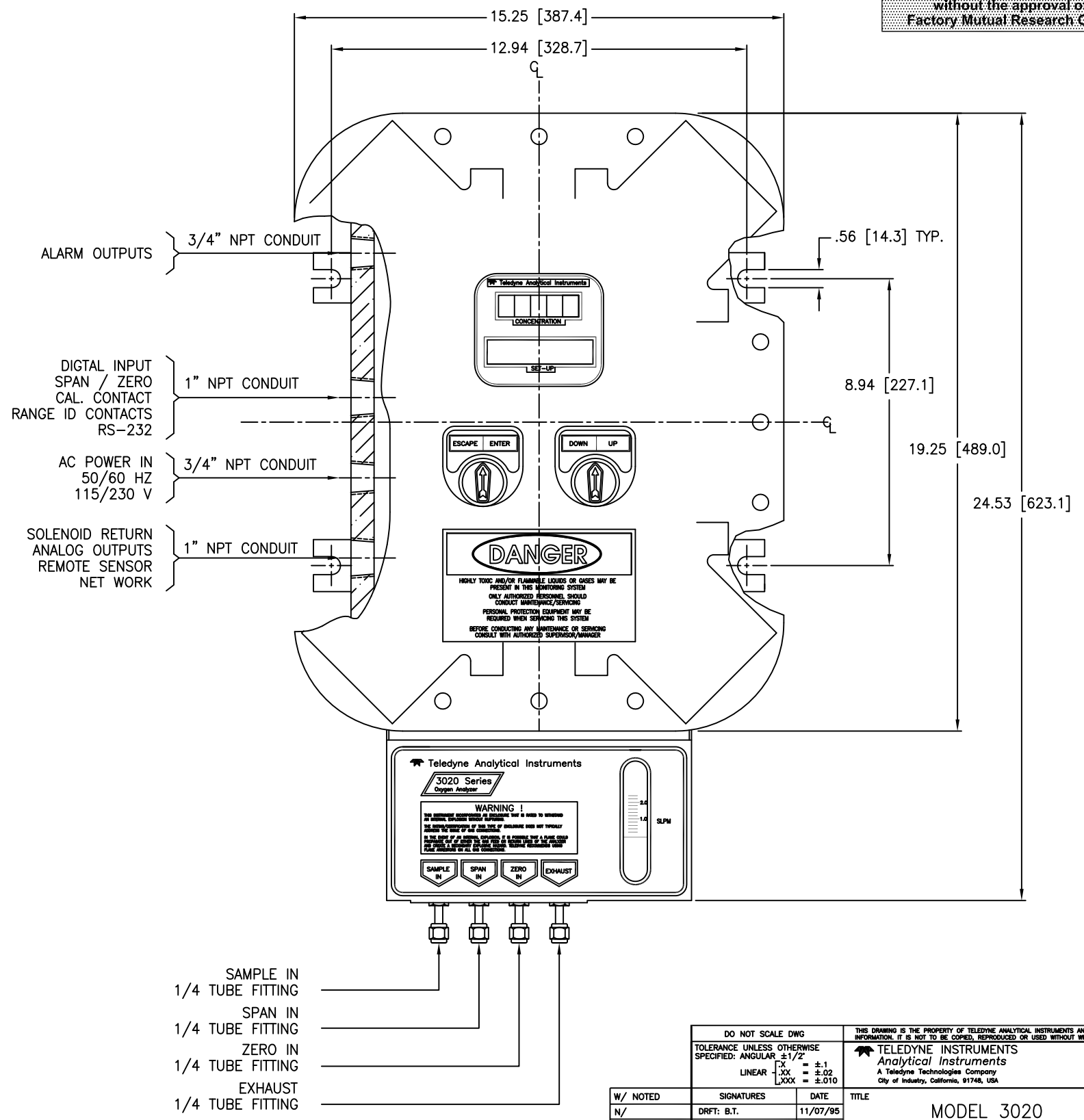
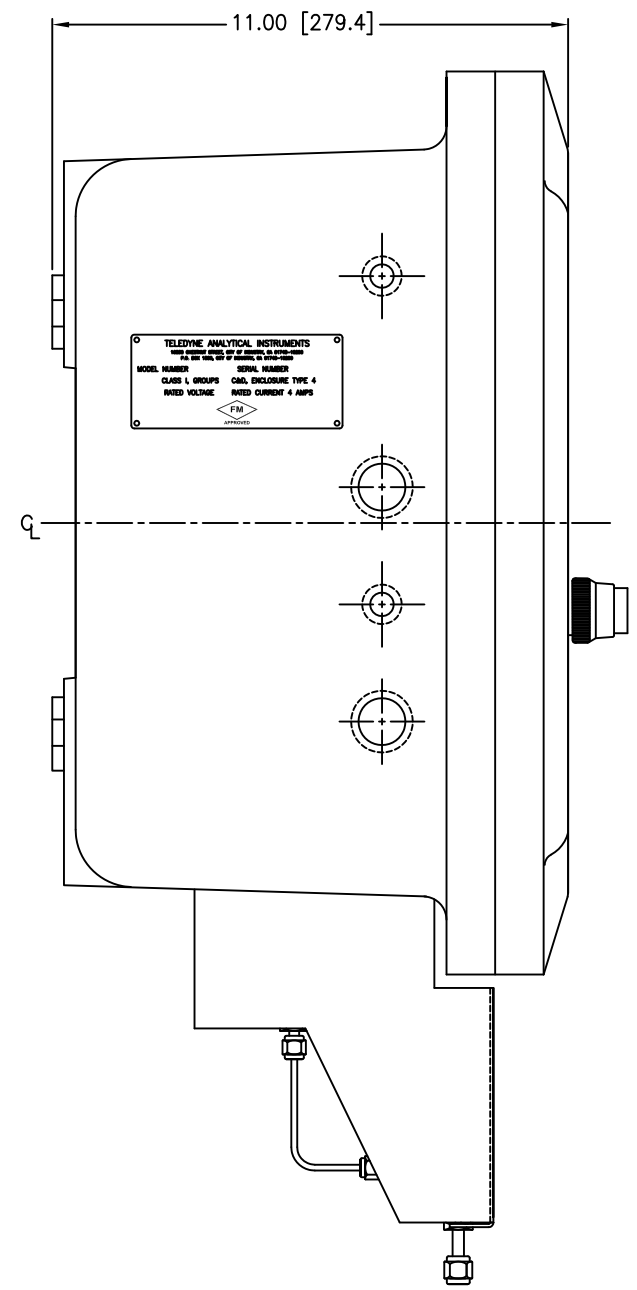
Use and Disclosure of Data
 Information contained herein is classified as EAR99 under the
 U.S. Export Administration Regulations.
 Export, reexport or diversion contrary to U.S. law is prohibited.

REVISIONS				
REV.	DESCRIPTION	DATE	APP.	REV. BY.
0	Initial Release	04/09/96	SB	--
1	INC. ECO 99-0249	12/1/00	AA	JCR

FM
 This drawing must not be changed
 without the approval of
 Factory Mutual Research Corp.

NOTES: UNLESS OTHERWISE SPECIFIED.

- ① INTERCONNECTION DIAGRAM: DWG# D-65910
- ② WIRING DIAGRAM:
 TRACE SERIES: DWG D-65911
 PERCENT SERIES: DWG D-66067
- ③ FINAL ASSEMBLY:
 TRACE SERIES: DWG D-65908
 PERCENT SERIES (W/ NYLON CELL BLOCK): DWG D-66066
 PERCENT SERIES (W/ STAINLESS CELL BLOCK): DWG D-66050



DO NOT SCALE DWG		THIS DRAWING IS THE PROPERTY OF TELEDYNE ANALYTICAL INSTRUMENTS AND CONTAINS CONFIDENTIAL INFORMATION. IT IS NOT TO BE COPIED, REPRODUCED OR USED WITHOUT WRITTEN PERMISSION.	
TOLERANCE UNLESS OTHERWISE SPECIFIED: ANGULAR ±1/2°		TELEDYNE INSTRUMENTS Analytical Instruments A Teledyne Technologies Company City of Industry, California, 91746, USA	
LINEAR .X = ±.1 .XX = ±.02 .XXX = ±.010		TITLE MODEL 3020 OXYGEN ANALYZER OUTLINE DIAGRAM	
W/ NOTED	SIGNATURES	DATE	SCALE 1:2
N/	DRFT: B.T.	11/07/95	SIM NONE
I/ NOTED	CHK:		SHEET 1 OF 1
O/	APPR:		
P/	ENGR:		
F/ NOTED	C.O.:		
REFERENCE	CAD ID D65909-1	MATL. NONE	DWG NO. D-65909
			REV 1